

Silicon NPN Power Transistors

2SC1227

**DESCRIPTION**

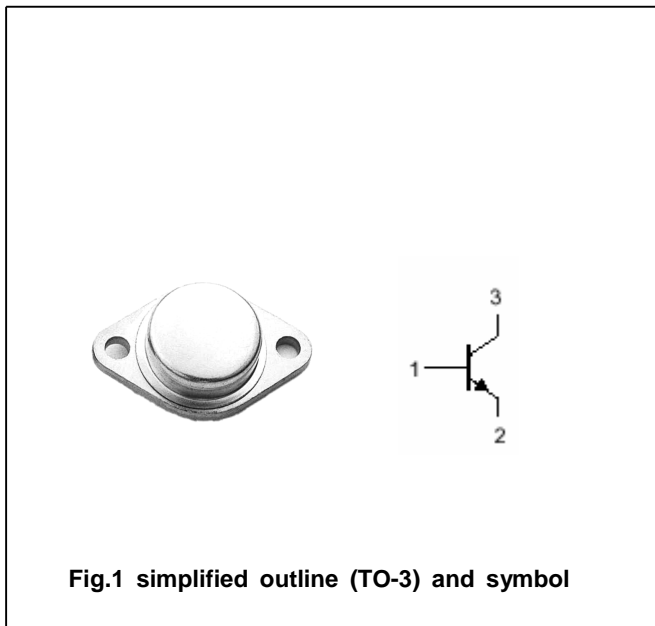
- With TO-3 package
- High power dissipation

**APPLICATIONS**

- Suitable for use in clocked voltatge converters

**PINNING (See Fig.2)**

PIN	DESCRIPTION
1	Base
2	Emitter
3	Collector



**MAXIMUN RATINGS**

SYMBOL	PARAMETER	CONDITIONS	VALUE	UNIT
$V_{CBO}$	Collector-base voltage	Open emitter	300	V
$V_{CEO}$	Collector-emitter voltage	Open base	200	V
$V_{EBO}$	Emitter-base voltage	Open collector	7	V
$I_C$	Collector current		10	A
$I_B$	Base current		3	A
$P_T$	Total power dissipation	$T_C=25^\circ$	100	W
$T_j$	Junction temperature		150	?
$T_{stg}$	Storage temperature		-55~150	?

**THERMAL CHARACTERISTICS**

SYMBOL	PARAMETER	VALUE	UNIT
$R_{th\ j-c}$	Thermal resistance from junction to case	1.25	? /W

## Silicon NPN Power Transistors

## 2SC1227

## CHARACTERISTICS

T<sub>j</sub>=25? unless otherwise specified

SYMBOL	PARAMETER	CONDITIONS	MIN	TYP.	MAX	UNIT
V <sub>(BR)CEO</sub>	Collector-emitter breakdown voltage	I <sub>C</sub> =50mA ; I <sub>B</sub> =0	200			V
V <sub>(BR)CBO</sub>	Collector-base breakdown voltage	I <sub>C</sub> =0.1mA ; I <sub>E</sub> =0	300			V
V <sub>(BR)EBO</sub>	Emitter-base breakdown voltage	I <sub>E</sub> =0.1mA ; I <sub>C</sub> =0	7			V
V <sub>CEsat</sub>	Collector-emitter saturation voltage	I <sub>C</sub> =5A; I <sub>B</sub> =0.5A			1.0	V
V <sub>BEsat</sub>	Base-emitter saturation voltage	I <sub>C</sub> =5A; I <sub>B</sub> =0.5A			1.5	V
I <sub>CBO</sub>	Collector cut-off current	V <sub>CB</sub> =300V; I <sub>E</sub> =0			20	μA
I <sub>EBO</sub>	Emitter cut-off current	V <sub>EB</sub> =7V; I <sub>C</sub> =0			20	μA
h <sub>FE</sub>	DC current gain	I <sub>C</sub> =5A ; V <sub>CE</sub> =5V	50			

PACKAGE OUTLINE

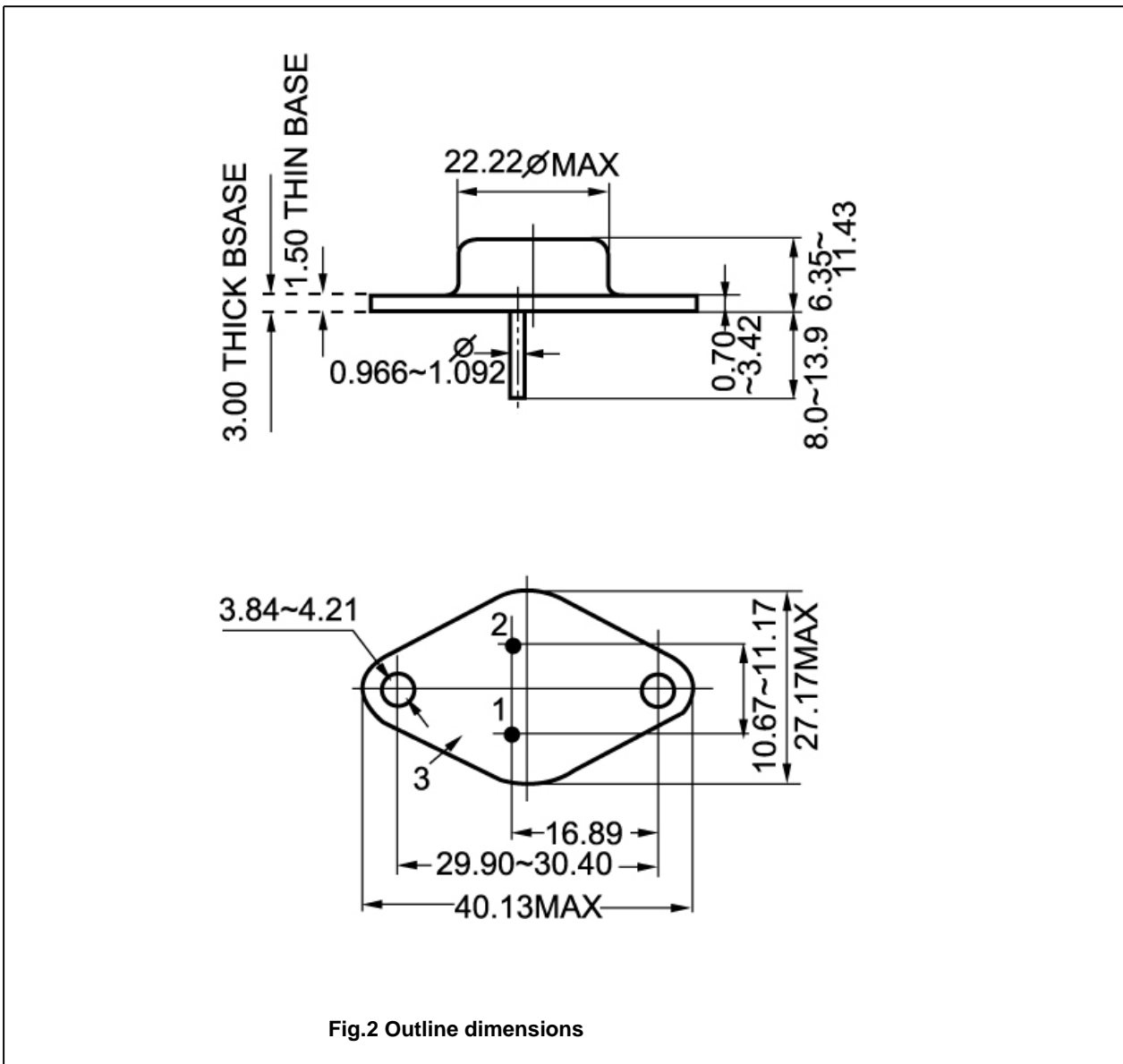


Fig.2 Outline dimensions