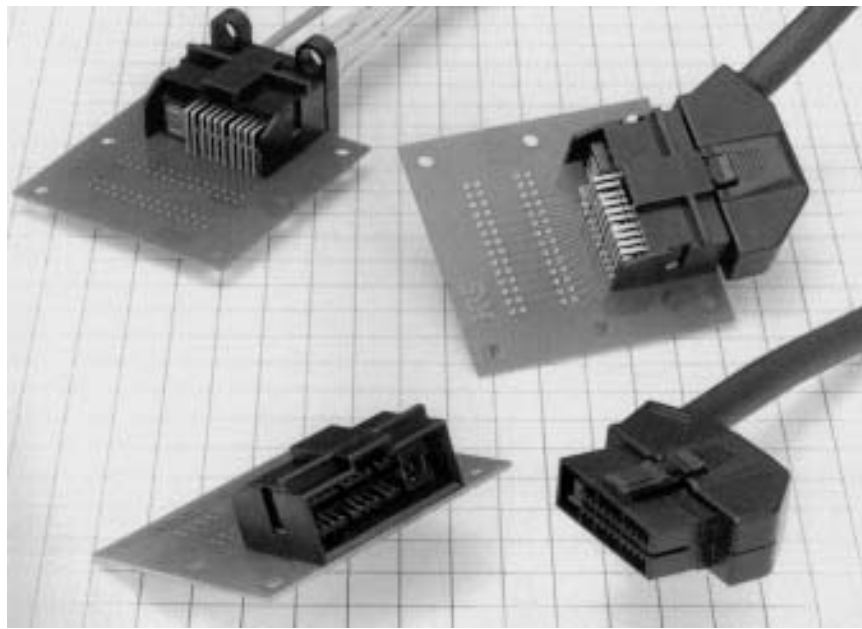


# GT12 Series

— 2 mm Pitch, Miniature ECU Connectors —  
<Hirose Original Reverse Concept>



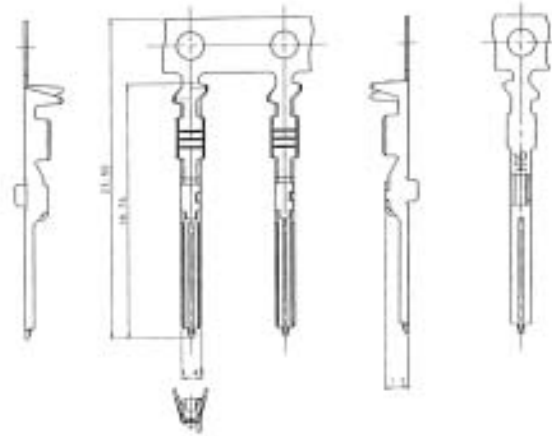
## ■ Features

- 2 mm pitch type connector
- Low insertion and removal force compared with the Hirose Electric GT10 Series.
- Built to solve the problem of terminal deformation at time of wire crimping.



## M Connectors

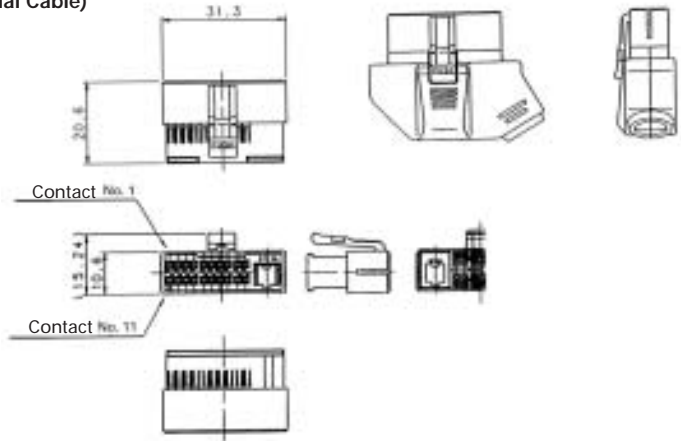
### ● Terminals



Part Number	CL No.	Conductor Size (AWG)	Outer Diameter	Material	Finish	Packaging
GT12-2022PCF	762-0007-3	#20 to 22	1.1 to 1.3	Brass	Tin plating	10,000 pcs. per reel
GT12-2428PCF	762-0005-8	#24 to 28	0.8 to 1.1			

### ● Housing (GT12 Series Hybrid Type) Combination Cable Type (20 Signal Lines + 1 Coaxial Cable)

### ◆ Diagram of Attached Cover

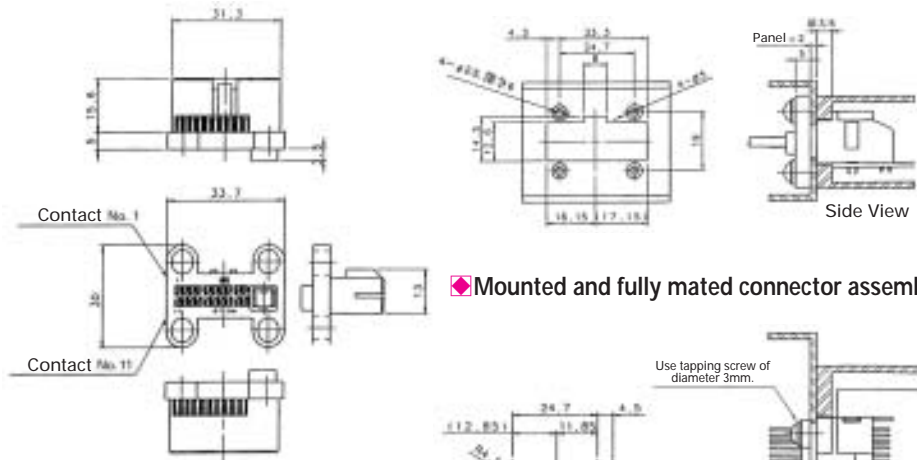


Part Number	CL No.	Material	Color
GT12M-20/1DP-HU	762-0002-0	PBT	Black

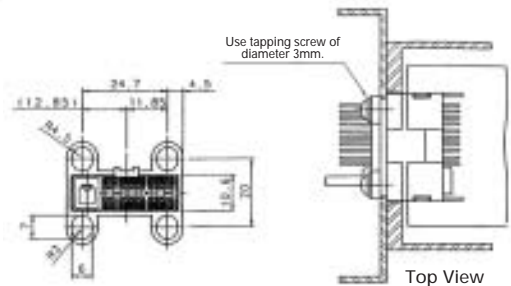
Note 1: Terminal for the coaxial cable are the GT5 Series.  
Note 2: This product is used in conjunction with the cover.

### Plug-in Type (20 Signal Lines + 1 Coaxial Cable)

### ◆ Recommended Panel Cut-out



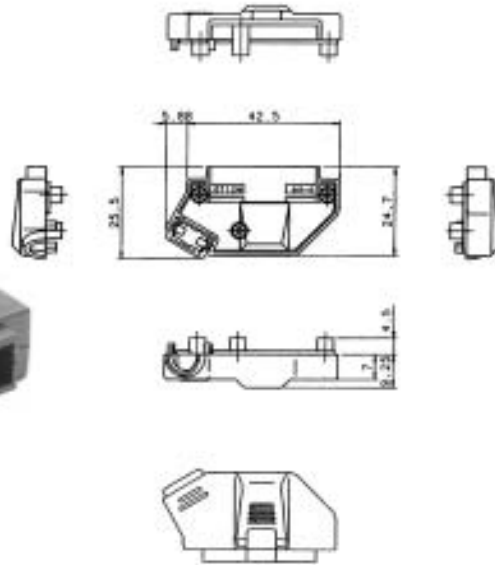
### ◆ Mounted and fully mated connector assemblies



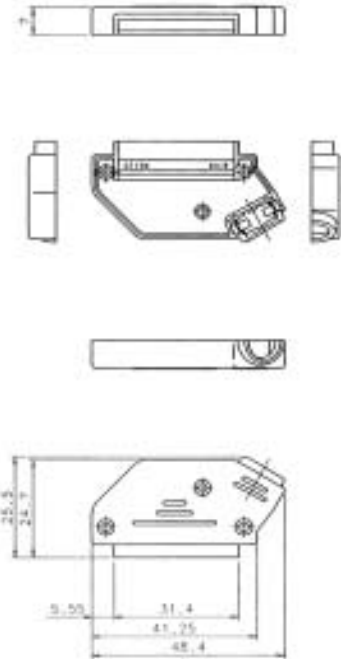
Part Number	CL No.	Material	Color
GT12M-20/1DPP-HU	762-0004-5	PBT	Black

Note: Terminal for the coaxial cable are the GT5 Series.

● Cover



Cover A

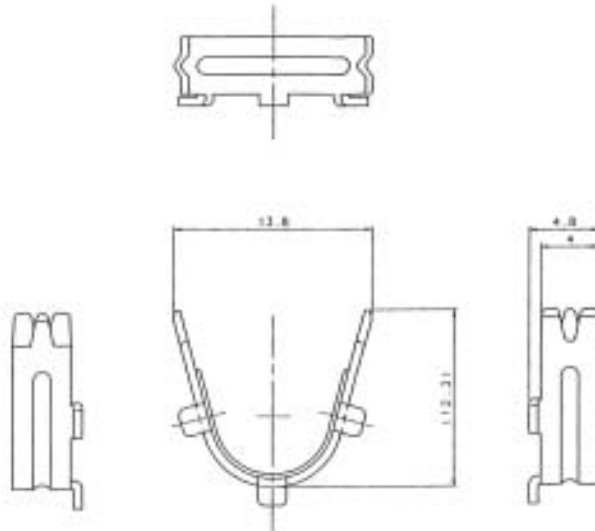


Cover B

Part Number	CL No.	Material	Color
GT12M-20/1DP-CV8.7R	762-0003-2	PBT	Black

Note 1: This product suits cables having an outside diameter of 8.6 to 8.8 mm.  
 Note 2: This product is sold as a set of cover and screws.

● Cable Clamp Terminal



Part Number	CL No.	Material
GT12M-8.7CP	762-0008-6	Brass

Note: This terminal suits cables having an outside diameter of 8.6 to 8.8 mm.