

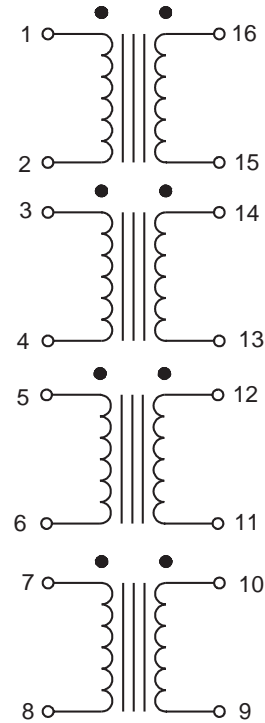
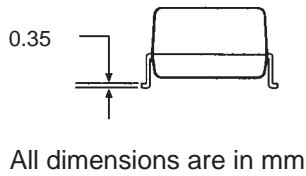
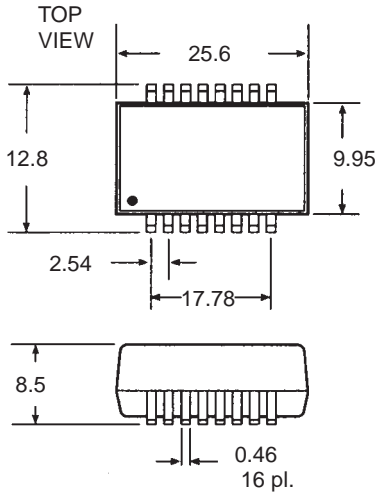
SCOPE

The TTW6176 Quad transformer unit was designed to provide insulation of four twisted pairs in a Local Area Network.

It is based on the Ethernet data link protocol which uses base-band signaling at 10Mbps.



MECHANICAL



ELECTRICAL

Inductance	each winding	140 $\mu$ H min
Leakage Inductance	each winding	0.2 $\mu$ H max
Winding Resistance	each winding	0.3 $\Omega$ max
Interwinding Capacitance		12 pf max
Turns Ratio		1:1 x 4
Dielectric Strength		1500 V rms

Issue:A 97/10/16 TTW6176