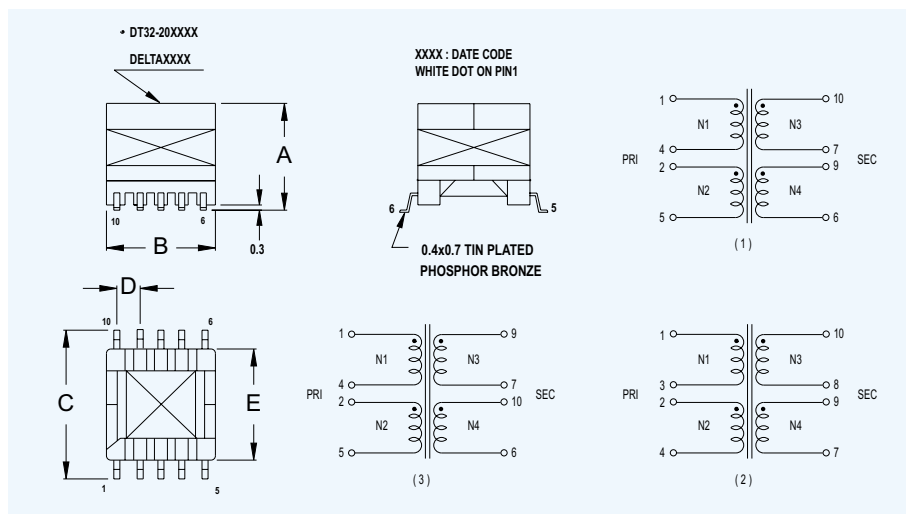




Telecommunication ADSL Transformer Transformers

DT32-2034B
DT32-2052AS
DT32-2054AS
DT32-2055AS



DIMENSIONS IN mm

A	B	C	D	E	F	G
12.5 MAX.	14.0 MAX.	17.10±0.2	2.54±0.3	14.0 MAX.		

ELECTRICAL CHARACTERISTICS				
	DT32-2034B	DT32-2052AS	DT32-2054AS	DT32-2055AS
T.R	(PRI:SEC): 1:1±2% @20KHz 1V	(PRI:N3): 4:1±2% (PRI:N4): 2:1±2% @10KHz 0.1V	(PRI:SEC): 1.4:1±2% @10KHz 0.1V	(PRI:SEC): 1:1.4±2% @10KHz 0.1V
L	PRI: 407.5uH ±5% @10KHz 0.1V	N3: 27.5uH ±10% @10KHz 0.1V	PRI: 476.5uH ±5% @10KHz 0.1V	PRI: 476.5uH ±5% @10KHz 0.1V
L.K	PRI: 10uH Max. @100KHz 0.1V	N4: 8.4uH Typ. @100KHz 0.1V	PRI: 10uH Max. @10KHz 0.1V	PRI: 10uH Max. @100KHz 0.1V
D.C.R	N1: 0.39 Ω Max. N2: 0.39 Ω Max. N3: 0.33 Ω Max. N4: 0.33 Ω Max.	N1: 0.98 Ω ±10% N2: 0.98 Ω ±10% N3: 0.42 Ω ±10% N4: 0.92 Ω ±10%	N1: 0.69 Ω ±10% N2: 0.69 Ω ±10% N3: 1.04 Ω ±10% N4: 1.04 Ω ±10%	N1: 0.70 Ω ±10% N2: 0.70 Ω ±10% N3: 1.09 Ω ±10% N4: 1.09 Ω ±10%
HI-POT	1500 VAC 2 SEC	1500 VAC 2 SEC	1500 VAC 2 SEC	1500 VAC 2 SEC
C	-----	-----	18pF Max. @10KHz	18pF Max. @10KHz 1V
I.L	0.5dB Max. @772KHz	0.5dB Max. @100KHz	0.5dB Max. @100KHz	-----
L.B	55dB Min. @20KHz~1.1MHz	55dB Min. @25KHz~1MHz	60dB Min. @20KHz~250KHz	60dB Min. @20KHz~250KHz
FR	±3dB Max. @20KHz~2MHz	-----	-----	-----
R.L	-----	-----	-----	-----
T.H.D	-85dB Max. @100KHz 5.3Vrms	-90dB Max. @100KHz 15Vp-p	-80dB Max. @100KHz 15Vp-p	-80dB Max. @100KHz 15Vp-p
Schematic	1	1	1	2

DELTA ELECTRONICS, INC.

(TAOYUAN PLANT CPBG) 31-1, SHIEN PAN ROAD, KUEI SAN INDUSTRIAL ZONE, TAOYUAN SHIEN, TAIWAN, R.O.C.
TEL: 886-3-3626301 FAX: 886-3-3618901
http://www.deltaww.com