



1.1 GHz Low-Voltage Dual Modulus Prescaler

The MC12022LVA can be used with CMOS synthesizers requiring positive edges to trigger internal counters such as Motorola's MC145XXX series in a PLL to provide tuning signals up to 1.1 GHz in programmable frequency steps.

The MC12022LVB can be used with CMOS synthesizers requiring negative edges to trigger internal counters.

A Divide Ratio Control (SW) permits selection of a 64/65 or 128/129 divide ratio as desired.

The Modulus Control (MC) selects the proper divide number after SW has been biased to select the desired divide ratio.

NOTE: The "B" Version Is Not Recommended for New Designs

- 1.1 GHz Toggle Frequency
- Supply Voltage of 2.7 to 5.0 V
- Low-Power 4.0 mA Typical at $V_{CC} = 2.7$ V
- Operating Temperature Range of -40 to 85°C
- Short Setup Time (t_{set}) 16ns Maximum @ 1.1 GHz
- Modulus Control Input Level Is Compatible With Standard CMOS and TTL

FUNCTIONAL TABLE

SW	MC	Divide Ratio
H	H	64
H	L	65
L	H	128
L	L	129

NOTES: 1. SW: H = V_{CC} , L = Open. A logic L can also be applied by grounding this pin, but this is not recommended due to increased power consumption.
2. MC: H = 2.0 V to V_{CC} , L = GND to 0.8 V.

DESIGN GUIDE

Criteria	Value	Unit
Internal Gate Count*	67	ea
Internal Gate Propagation Delay	200	ps
Internal Gate Power Dissipation	0.75	mW
Speed Power Product	0.15	pJ

NOTE: * Equivalent to a two-input NAND gate

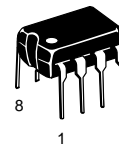
MC12022LVA MC12022LVB

MECL PLL COMPONENTS $\div 64/65, \div 128/129$ DUAL MODULUS PRESCALER

SEMICONDUCTOR TECHNICAL DATA

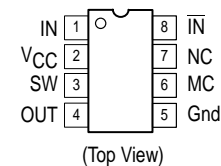


D SUFFIX
PLASTIC PACKAGE
CASE 751
(SO-8)



P SUFFIX
PLASTIC PACKAGE
CASE 626

PIN CONNECTIONS



ORDERING INFORMATION

Device	Operating Temp Range	Package
MC12022LVAD	$T_A = -40^{\circ}$ to $+85^{\circ}\text{C}$	SO-8
MC12022LVAP		Plastic
MC12022LVBD		SO-8
MC12022LVBP		Plastic

MC12022LVA MC12022LVB

MAXIMUM RATINGS

Rating	Symbol	Value	Unit
Power Supply Voltage, Pin 2	V_{CC}	-0.5 to 7.0	Vdc
Operating Temperature Range	T_A	-40 to 85	°C
Storage Temperature Range	T_{stg}	-65 to 150	°C
Modulus Control Input, Pin 6	MC	-0.5 to 6.5	Vdc

NOTE: ESD data available upon request.

ELECTRICAL CHARACTERISTICS ($V_{CC} = 4.5$ to 5.5 V; $T_A = -40^\circ\text{C}$ to 85°C , unless otherwise noted.)

Characteristic	Symbol	Min	Typ	Max	Unit
Toggle Frequency (Sine Wave Input)	f_t	0.1	1.4	1.1	GHz
Supply Current Output Unloaded (Pin 2)	I_{CC}	-	4.7	6.5	mA
Supply Current Output Unloaded (Pin 2) at 5.0 Vdc	I_{CCH}		5.8	8.0	mA
Modulus Control Input High (MC)	V_{IH1}	2.0	-	V_{CC}	V
Modulus Control Input Low (MC)	V_{IL1}	-	-	0.8	V
Divide Ratio Control Input High (SW)	V_{IH2}	V_{CC}	V_{CC}	V_{CC}	Vdc
Divide Ratio Control Input Low (SW)	V_{IL2}	Open	Open	Open	-
Output Voltage Swing ($C_L = 12$ pF; $R_L = 1.1$ k Ω at 2.7 Vdc)	V_{out}	0.8	1.0	-	V_{pp}
Output Voltage Swing ($C_L = 12$ pF; $R_L = 2.2$ k Ω at 5.0 Vdc)	V_{out}	1.0	1.6	-	V_{pp}
Modulus Setup Time MC to Out	t_{set}	-	11	16	ns
Input Voltage Sensitivity 250–1100 MHz 100–250 MHz	$V_{in(min)}$	100 400	- -	1500 1500	mVpp
Output Current ($C_L = 12$ pF; $R_L = 2.2$ k Ω at 2.7 Vdc)	I_O	-	1.2	4.0	mA
Output Current ($C_L = 12$ pF; $R_L = 2.2$ k Ω at 5.0 Vdc)	I_O	-	1.2	4.0	mA

MC12022LVA MC12022LVB

Figure 1. Logic Diagram (MC12022LVA)

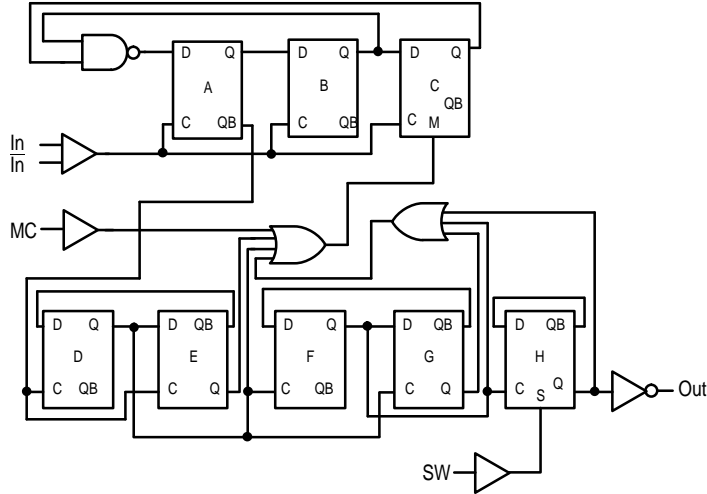


Figure 2. Modulus Setup Time

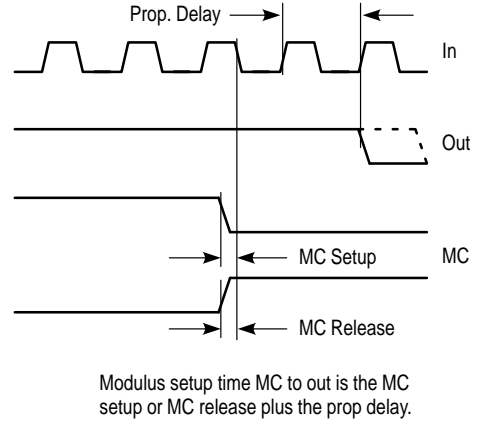
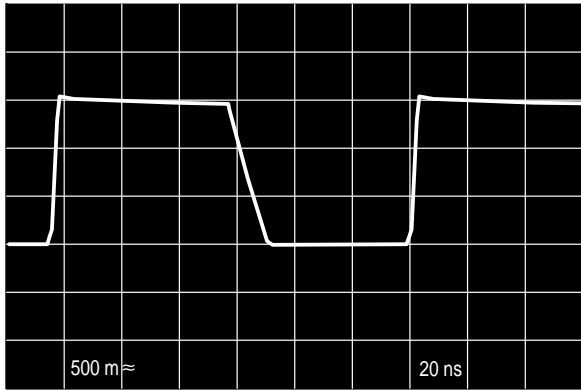
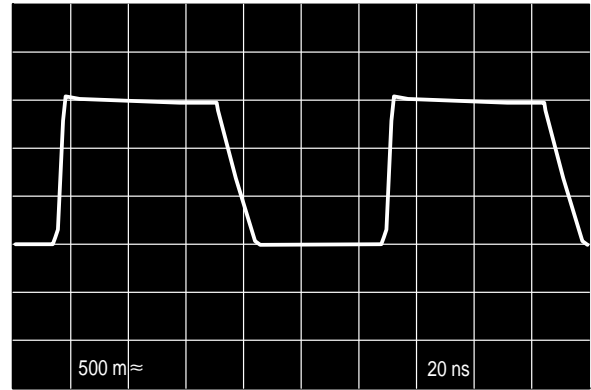


Figure 3. Typical Output Waveforms

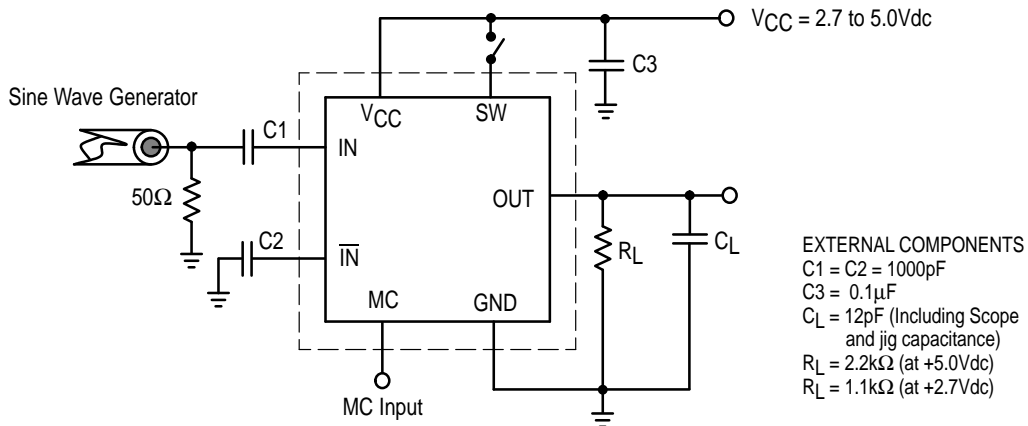


(+64, 500MHz Input Frequency, $V_{CC} = 5.0V$, $T_A = 25^\circ C$, Output Loaded)



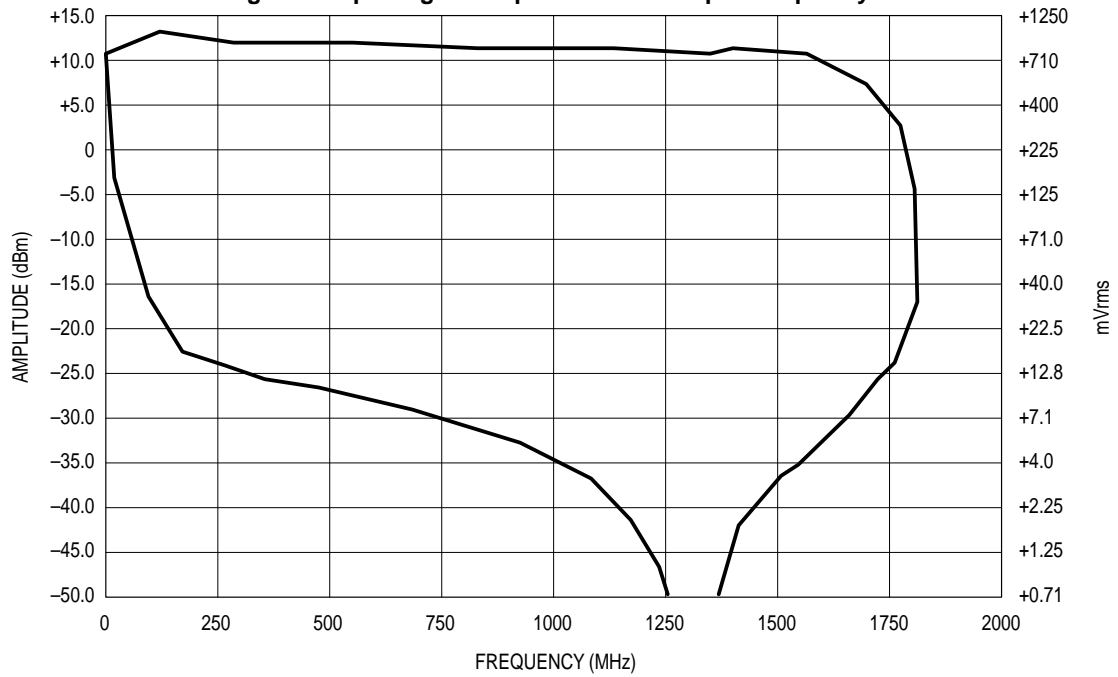
(+128, 1.1GHz Input Frequency, $V_{CC} = 5.0V$, $T_A = 25^\circ C$, Output Loaded)

Figure 4. AC Test Circuit



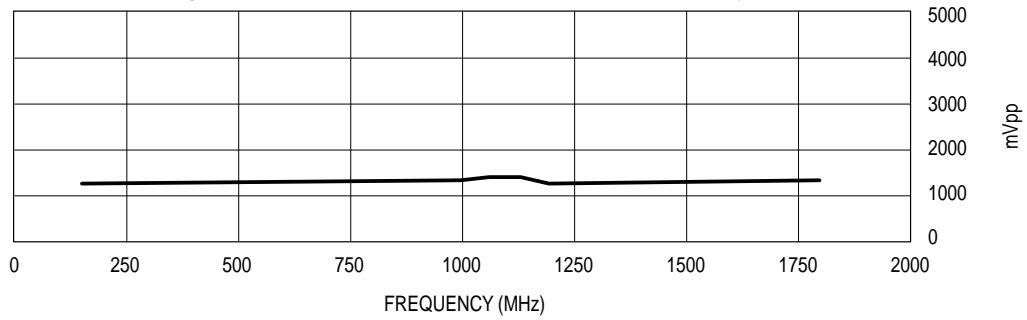
MC12022LVA MC12022LVB

Figure 5. Input Signal Amplitude versus Input Frequency



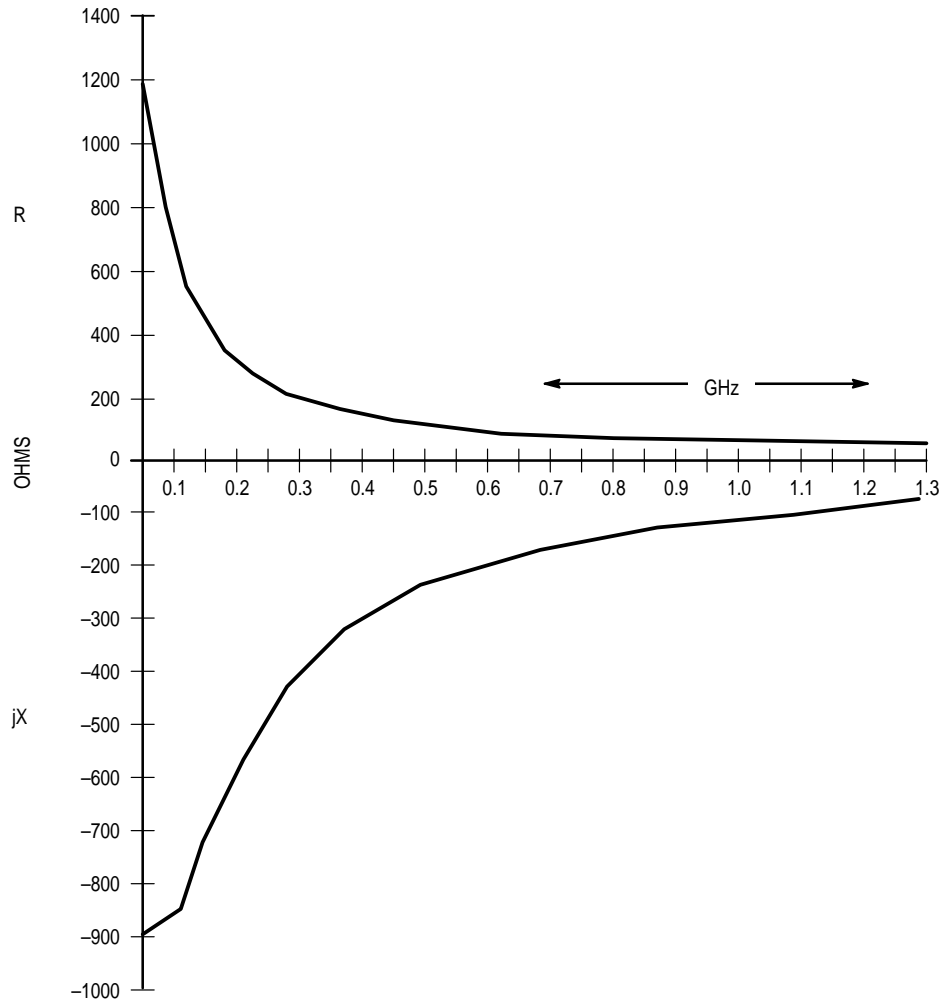
Divide Ratio = 128; $V_{CC} = 5.0$ V; $T_A = 25^\circ\text{C}$

Figure 6. Output Amplitude versus Input Frequency



MC12022LVA MC12022LVB

Figure 7. Typical Input Impedance versus Input Frequency



MC12022LVA MC12022LVB

OUTLINE DIMENSIONS

P SUFFIX
PLASTIC PACKAGE
CASE 626-05
ISSUE K

NOTE 2

SEATING PLANE

⊕ $\varnothing 0.13 (0.005) \text{ (M)}$ T A (M) B (M)

NOTES:

1. DIMENSION L TO CENTER OF LEAD WHEN FORMED PARALLEL.
2. PACKAGE CONTOUR OPTIONAL (ROUND OR SQUARE CORNERS).
3. DIMENSIONING AND TOLERANCING PER ANSI Y14.5M, 1982.

DIM	MILLIMETERS		INCHES	
	MIN	MAX	MIN	MAX
A	9.40	10.16	0.370	0.400
B	6.10	6.60	0.240	0.260
C	3.94	4.45	0.155	0.175
D	0.38	0.51	0.015	0.020
F	1.02	1.78	0.040	0.070
G	2.54 BSC		0.100 BSC	
H	0.76	1.27	0.030	0.050
J	0.20	0.30	0.008	0.012
K	2.92	3.43	0.115	0.135
L	7.62 BSC		0.300 BSC	
M	—		10°	
N	0.76	1.01	0.030	0.040

D SUFFIX
PLASTIC PACKAGE
CASE 751-06
(SO-8)
ISSUE T

SEATING PLANE

⊕ 0.25 (M) B (M)

$h \times 45^\circ$


θ

NOTES:

1. DIMENSIONING AND TOLERANCING PER ASME Y14.5M, 1994.
2. DIMENSIONS ARE IN MILLIMETER.
3. DIMENSION D AND E DO NOT INCLUDE MOLD PROTRUSION.
4. MAXIMUM MOLD PROTRUSION 0.15 PER SIDE.
5. DIMENSION B DOES NOT INCLUDE DAMBAR PROTRUSION. ALLOWABLE DAMBAR PROTRUSION SHALL BE 0.127 TOTAL IN EXCESS OF THE B DIMENSION AT MAXIMUM MATERIAL CONDITION.

DIM	MILLIMETERS	
	MIN	MAX
A	1.35	1.75
A1	0.10	0.25
B	0.35	0.49
C	0.19	0.25
D	4.80	5.00
E	3.80	4.00
e	1.27 BSC	
H	5.80	6.20
h	0.25	0.50
L	0.40	1.25
θ	0°	
	7°	

MC12022LVA MC12022LVB

Motorola reserves the right to make changes without further notice to any products herein. Motorola makes no warranty, representation or guarantee regarding the suitability of its products for any particular purpose, nor does Motorola assume any liability arising out of the application or use of any product or circuit, and specifically disclaims any and all liability, including without limitation consequential or incidental damages. "Typical" parameters which may be provided in Motorola data sheets and/or specifications can and do vary in different applications and actual performance may vary over time. All operating parameters, including "Typicals" must be validated for each customer application by customer's technical experts. Motorola does not convey any license under its patent rights nor the rights of others. Motorola products are not designed, intended, or authorized for use as components in systems intended for surgical implant into the body, or other applications intended to support or sustain life, or for any other application in which the failure of the Motorola product could create a situation where personal injury or death may occur. Should Buyer purchase or use Motorola products for any such unintended or unauthorized application, Buyer shall indemnify and hold Motorola and its officers, employees, subsidiaries, affiliates, and distributors harmless against all claims, costs, damages, and expenses, and reasonable attorney fees arising out of, directly or indirectly, any claim of personal injury or death associated with such unintended or unauthorized use, even if such claim alleges that Motorola was negligent regarding the design or manufacture of the part. Motorola and  are registered trademarks of Motorola, Inc. Motorola, Inc. is an Equal Opportunity/Affirmative Action Employer.

Mfax is a trademark of Motorola, Inc.

How to reach us:

USA/EUROPE/Locations Not Listed: Motorola Literature Distribution;
P.O. Box 5405, Denver, Colorado 80217. 1-303-675-2140 or 1-800-441-2447

JAPAN: Nippon Motorola Ltd.: SPD, Strategic Planning Office, 141,
4-32-1 Nishi-Gotanda, Shagawa-ku, Tokyo, Japan. 03-5487-8488

Customer Focus Center: 1-800-521-6274

Mfax™: RMFAX0@email.sps.mot.com – TOUCHTONE 1-602-244-6609
Motorola Fax Back System – US & Canada ONLY 1-800-774-1848
– http://sps.motorola.com/mfax/

ASIA/PACIFIC: Motorola Semiconductors H.K. Ltd.; 8B Tai Ping Industrial Park,
51 Ting Kok Road, Tai Po, N.T., Hong Kong. 852-26629298

HOME PAGE: <http://motorola.com/sps/>



MC12022LVA/D