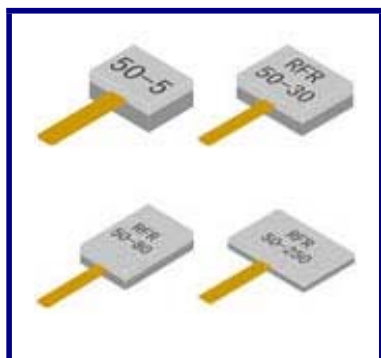


Terminations

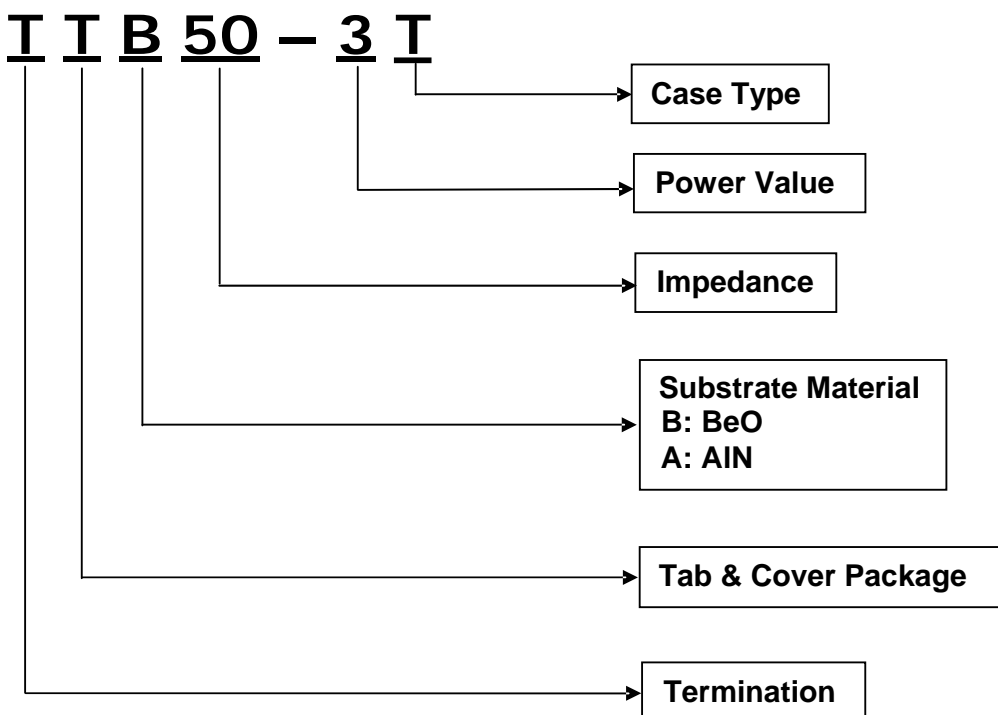
Tab & Cover



- ◆ Resistance*: 50Ω
- ◆ Substrate Material: BeO, AlN
- ◆ Resistance Tolerance: ±5%
- ◆ Power: 3-300W
- ◆ Frequency Range*: DC-18GHz
- ◆ Operation Temperature: -55 ~ +150°C
- ◆ Temperature Coefficient: ±150ppm/°C
- ◆ RoHS Compliant
- ◆ *Customization is available

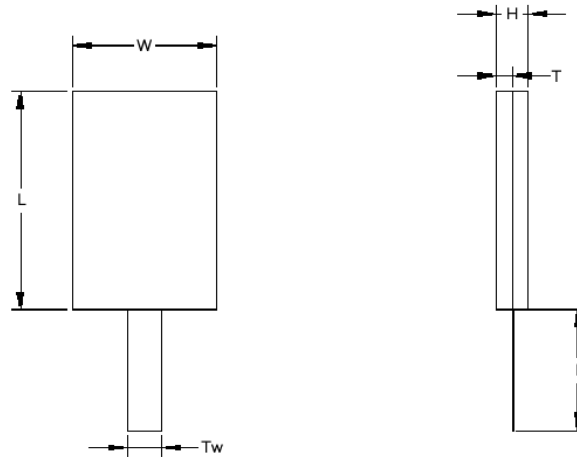
Termination – Tab & Cover (TTB series)

Explanation to P/N



Terminations

Tab & Cover



P/N	Power (W)	Frequency (GHz)	VSWR max	Size(mm)					
				W	L	T	H	I	Tw
TTB50-3T	3	DC-6	1.20	3	2.5	1	1.8	4	1
TTB50-3TZ	3	DC-6	1.20	2.5	3	1	1.8	4	1
TTB50-5TP	5	DC-4	1.20	1.27	2.54	1	1.8	4	1
TTB50-5TPP	5	DC-6	1.20	5	2.5	1	1.8	4	1
TTB50-5TZPP	5	DC-6	1.20	2.5	5	1	1.8	4	1
TTB50-5T	5	DC-6	1.20	4	3	1	1.8	4	1
TTB50-5TZ	5	DC-6	1.20	3	4	1	1.8	4	1
TTB50-5TG	5	DC-6	1.20	4	4	1	1.6	4	1
TTB50-10T	10	DC-6	1.25	4	3	1	1.8	4	1
TTB50-10TZ	10	DC-6	1.25	3	4	1	1.8	4	1
TTB50-10TG	10	DC-6	1.25	4	4	1	1.6	4	1
TTB50-10TP	10	DC-6	1.25	3	2.5	1	1.8	4	1
TTB50-10TPP	10	DC-6	1.25	2.5	3	1	1.8	4	1
TTB50-20TG	20	DC-6	1.30	5	2.5	1	1.8	4	1
TTB50-20TP	20	DC-18	1.35	5	2.5	1	1.8	4	1
TTB50-20TPP	20	DC-6	1.20	2.5	5	1	1.8	4	1
TTB50-20TZPP	20	DC-6	1.25	4	3	1	1.8	4	1
TTB50-20TG	20	DC-6	1.25	3	4	1	1.8	4	1
TTB50-20TGG	20	DC-3	1.20	4	4	1	1.6	4	1
TTB50-20T	20	DC-3	1.20	5	4	1	1.9	4	1
TTB50-20TZ	20	DC-3	1.20	4	5	1	1.9	4	1
TTB50-30TPP	30	DC-4	1.25	6	4.7	1	2.2	6	1
TTB50-30TZPP	30	DC-4	1.25	4.7	6	1	2.2	6	1
TTB50-30T	30	DC-6	1.20	6	6	1	1.8	6	1
TTB50-40T	40	DC-4	1.25	6	4.7	1	2.2	6	1
TTB50-40TZ	40	DC-4	1.25	4.7	6	1	2.2	6	1
TTB60-60T	60	DC-4	1.25	6	5	1	1.8	6	1



Termination – Tab & Cover (TTB Series)

The content of this specification may change without notification 10/01/09



www.DataSheet4U.com

Terminations

Tab & Cover

P/N	Power (W)	Frequency (GHz)	VSWR max	Size(mm)					
				W	L	T	H	I	TW
TTB50-60TZ	60	DC-4	1.25	5	6	1	1.8	6	1
TTB50-60TG	60	DC-6	1.25	6	6	1	1.8	6	1
TTB50-80T	80	DC-3	1.20	9	6	1	2.2	6	1.4
TTB50-80TZ	80	DC-3	1.20	6	9	1	2.2	6	1.4
TTB50-100TPP	100	DC-3	1.20	9	6	1	2.2	6	1.4
TTB50-100T	100	DC-3	1.20	6	9	1	2.2	6	1.4
TTB50-100TZ	100	DC-2.2	1.20	10	8	1	2.2	6	1.4
TTB50-100TG	100	DC-3	1.20	8	10	1	2.2	6	1.4
TTB50-150TZ	150	DC-3	1.20	8	9.5	1.5	2.2	6	1.4
TTB50-150TPP	150	DC-3	1.20	6.35	9.5	1	2.2	6	1
TTB50-150T	150	DC-3	1.20	10	10	1	2.2	6	1.4
TTB50-250TPP	250	DC-3	1.20	9.5	9.5	1.5	2.2	6	1.4
TTB50-250TZ	250	DC-3	1.20	10	10	1.5	2.2	6	2.5
TTB50-250T	250	DC-3	1.20	12.7	10	1.5	2.2	6	2.5
TTB50-300T	300	DC-2.5	1.20	12.7	12.7	1.5	2.2	6	2.5