

# Radiation Hardened and SEE Hardened 6A Synchronous Buck Regulator with Integrated MOSFETs

## ISL70001SRH

The ISL70001SRH is a radiation hardened and SEE hardened high efficiency monolithic synchronous buck regulator with integrated MOSFETs. This single chip power solution operates over an input voltage range of 3V to 5.5V and provides a tightly regulated output voltage that is externally adjustable from 0.8V to ~85% of the input voltage. Output load current capacity is 6A for  $T_J < +145^\circ\text{C}$ .

The ISL70001SRH utilizes peak current-mode control with integrated compensation and switches at a fixed frequency of 1MHz. Two ISL70001SRH devices can be synchronized 180° out-of-phase to reduce input RMS ripple current. These attributes reduce the number and size of external components required, while providing excellent output transient response. The internal synchronous power switches are optimized for high efficiency and good thermal performance.

The chip features a comparator type enable input that provides flexibility. It can be used for simple digital on/off control or, alternately, can provide undervoltage lockout capability by precisely sensing the level of an external supply voltage using two external resistors. A power-good signal indicates when the output voltage is within ±11% typical of the nominal output voltage.

Regulator start-up is controlled by an analog soft-start circuit, which can be adjusted from approximately 2ms to 200ms using an external capacitor.

The ISL70001SRH incorporates fault protection for the regulator. The protection circuits include input undervoltage, output undervoltage and output overcurrent.

High integration makes the ISL70001SRH an ideal choice to power many of today's small form factor applications. Two devices can be synchronized to provide a complete power solution for large scale digital ICs, like field programmable gate arrays (FPGAs), that require separate core and I/O voltages.

**Specifications for Rad Hard QML devices are controlled by the Defense Supply Center in Columbus (DSCC). The SMD numbers listed in the Ordering Information Table on page 2 must be used when ordering.**

**Detailed Electrical Specifications for these devices are contained in SMD 5962-09225. A link is provided on our website for downloading.**

## Features

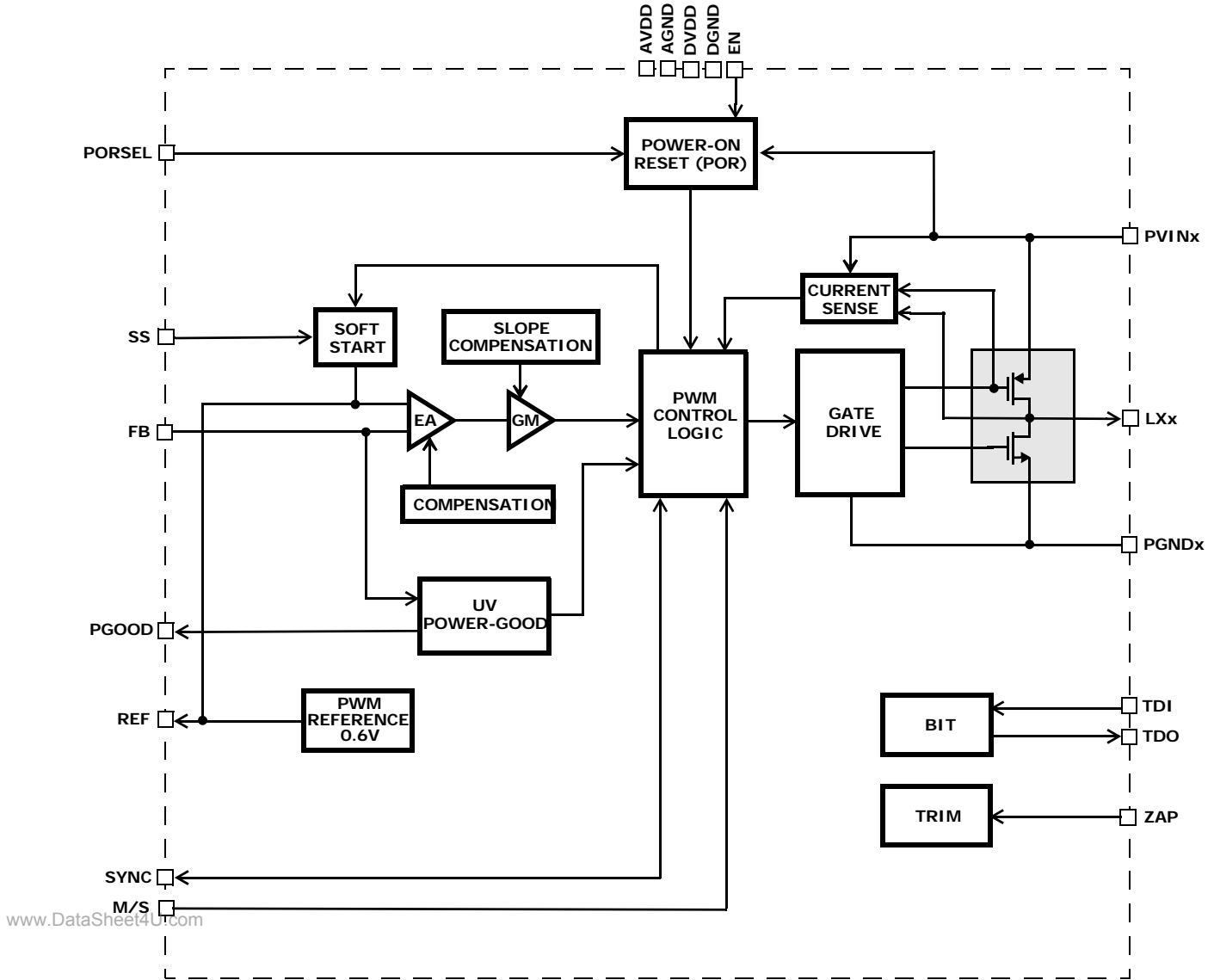
- Electrically Screened to DSCC SMD 5962-09225
- QML Qualified per MIL-PRF-38535 Requirements
- Full Mil-Temp Range Operation ( $T_A = -55^\circ\text{C}$  to  $+125^\circ\text{C}$ )
- Radiation Hardness
  - Total Dose [50-300rad(Si)/s] . . . 100krad(Si) min
- SEE Hardness
  - SEL and SEB  $\text{LET}_{\text{eff}} . . . . . 86.4\text{MeV}/\text{mg}/\text{cm}^2$  min
  - SEFI X-section ( $\text{LET}_{\text{eff}} = 86.4\text{MeV}/\text{mg}/\text{cm}^2$ )  
1.4 x 10<sup>-6</sup> cm<sup>2</sup> max
  - SET  $\text{LET}_{\text{eff}} (< 1 \text{ Pulse Perturbation})$   
86.4MeV/mg/cm<sup>2</sup> min
- High Efficiency > 90%
- Fixed 1MHz Operating Frequency
- Operates from 3V to 5.5V Supply
- ±1% Reference Voltage over Line, Load, Temperature and Radiation
- Adjustable Output Voltage
  - Two External Resistors Set  $V_{\text{OUT}}$  from 0.8V to ~85% of  $V_{\text{IN}}$
- Excellent Dynamic Response
- Bi-directional SYNC Pin Allows Two Devices to be Synchronized 180° Out-of-Phase
- Device Enable with Comparator Type Input
- Power-Good Output Voltage Monitor
- Adjustable Analog Soft-Start
- Input Undervoltage, Output Undervoltage and Output Overcurrent Protection
- Starts Into Pre-Biased Load

## Applications\* (see page 16)

- FPGA, CPLD, DSP, CPU Core or I/O Voltages
- Low-Voltage, High-Density Distributed Power Systems

[www.DataSheet4U.com](http://www.DataSheet4U.com)

## Functional Block Diagram



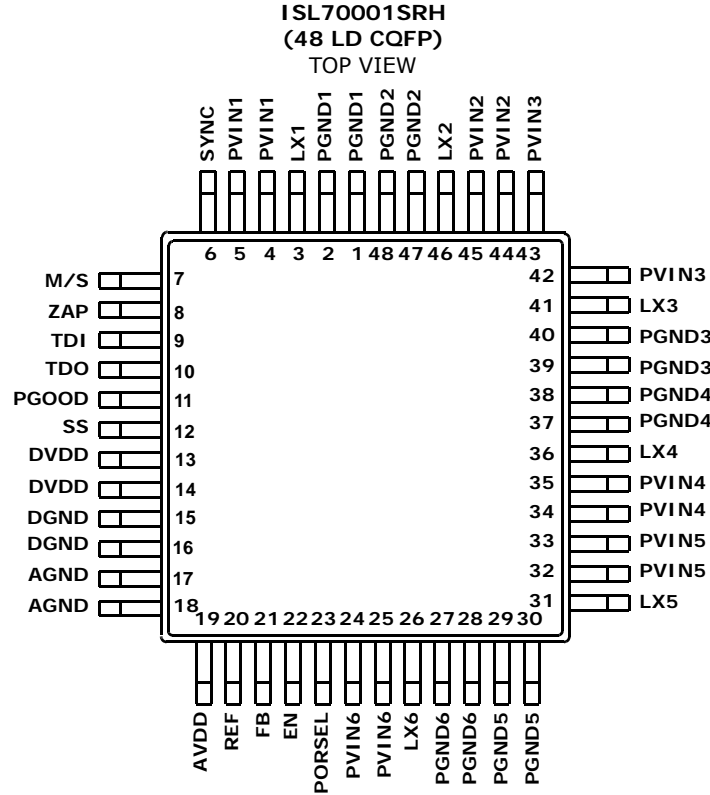
## Ordering Information

ORDERING NUMBER	PART NUMBER (Note 2)	TEMP. RANGE (°C)	PACKAGE
5962R0922501QXC	ISL70001SRHQF (Note 1)	-55 to +125	48 Ld CQFP (Pb-Free)
5962R0922501VXC	ISL70001SRHVF (Note 1)	-55 to +125	48 Ld CQFP (Pb-Free)
5962R0922501V9A	ISL70001SRHVX	-55 to +125	Die
ISL70001SRHF/PROTO	ISL70001SRHF/PROTO (Note 1)	-55 to +125	48 Ld CQFP (Pb-Free)
ISL70001SRHX/SAMPLE	ISL70001SRHX/SAMPLE	-55 to +125	Die

### NOTE:

- These Intersil Pb-free Hermetic packaged products employ 100% Au plate - e4 termination finish, which is RoHS compliant and compatible with both SnPb and Pb-free soldering operations.
- For Moisture Sensitivity Level (MSL), please see device information page for [ISL70001SRH](#). For more information on MSL please see techbrief [TB363](#).

## Pin Configuration



## Pin Descriptions

PIN NUMBER	PIN NAME	DESCRIPTION
1, 2, 27, 28, 29, 30, 37, 38, 39, 40, 47, 48	PGNDx	These pins are the power grounds associated with the corresponding internal power blocks. Connect these pins directly to the ground plane. These pins should also connect to the negative terminals of the input and output capacitors. Locate the input and output capacitors as close as possible to the IC.
3, 26, 31, 36, 41, 46	LXx	These pins are the outputs of the corresponding internal power blocks and should be connected to the output filter inductor. Internally, these pins are connected to the synchronous MOSFET power switches. To minimize voltage undershoot, it is recommended that a Schottky diode be connected from these pins to PGNDx. The Schottky diode should be located as close as possible to the IC.
4, 5, 24, 25, 32, 33, 34, 35, 42, 43, 44, 45	PVINx	These pins are the power supply inputs to the corresponding internal power blocks. These pins must be connected to a common power supply rail, which must fall in the range of 3V to 5.5V. Bypass these pins directly to PGNDx with ceramic capacitors located as close as possible to the IC.
6	SYNC	This pin is the synchronization I/O for the IC. When configured as an output (Master Mode), this pin drives the SYNC input of another ISL70001SRH. When configured as an input (Slave Mode), this pin accepts the SYNC output from another ISL70001SRH or an external clock. Synchronization of the slave unit is 180° out-of-phase with respect to the master unit. If synchronizing to an external clock, the clock must be SEE hardened and the frequency must be within the range of 1MHz ±20%.
7	M/S	This pin is the Master/Slave input for selecting the direction of the bi-directional SYNC pin. For SYNC = Output (Master Mode), connect this pin to DVDD. For SYNC = Input (Slave Mode), connect this pin to DGND.
8	ZAP	This pin is a trim input and is used to adjust various internal circuitry. Connect this pin to DGND.
9	TDI	This pin is the test data input of the internal BIT circuitry. Connect this pin to DGND.
10	TDO	This pin is the test data output of the internal BIT circuitry. Connect this pin to DGND.

## Pin Descriptions (Continued)

PIN NUMBER	PIN NAME	DESCRIPTION
11	PGOOD	This pin is the power-good output. This pin is an open drain logic output that is pulled to DGND when the output voltage is outside a $\pm 11\%$ typical regulation window. This pin can be pulled up to any voltage from 0V to 5.5V, independent of the supply voltage. A nominal 1k $\Omega$ to 10k $\Omega$ pull-up resistor is recommended. Bypass this pin to DGND with a 10nF ceramic capacitor to mitigate SEE.
12	SS	This pin is the soft-start input. Connect a ceramic capacitor from this pin to DGND to set the soft-start output ramp time in accordance with Equation 1: $t_{SS} = C_{SS} \cdot V_{REF} / I_{SS} \quad (\text{EQ. 1})$ Where: $t_{SS}$ = Soft-start output ramp time $C_{SS}$ = Soft-start capacitor $V_{REF}$ = Reference voltage (0.6V typical) $I_{SS}$ = Soft-start charging current (23 $\mu$ A typical) Soft-start time is adjustable from approximately 2ms to 200ms. The range of the soft-start capacitor should be 82nF to 8.2 $\mu$ F, inclusive.
13, 14	DVDD	These pins are the bias supply inputs to the internal digital control circuitry. Connect these pins together at the IC and locally filter them to DGND using a 1 $\Omega$ resistor and a 1 $\mu$ F ceramic capacitor. Locate both filter components as close as possible to the IC.
15, 16	DGND	These pins are the digital ground associated with the internal digital control circuitry. Connect these pins directly to the ground plane.
17, 18	AGND	These pins are the analog ground associated with the internal analog control circuitry. Connect these pins directly to the ground plane.
19	AVDD	This pin is the bias supply input to the internal analog control circuitry. Locally filter this pin to AGND using a 1 $\Omega$ resistor and a 1 $\mu$ F ceramic capacitor. Locate both filter components as close as possible to the IC.
20	REF	This pin is the internal reference voltage output. Bypass this pin to AGND with a 220nF ceramic capacitor located as close as possible to the IC. The bypass capacitor is needed to mitigate SEE. No current (sourcing or sinking) is available from this pin.
21	FB	This pin is the voltage feedback input to the internal error amplifier. Connect a resistor from FB to VOUT and from FB to AGND to adjust the output voltage in accordance with Equation 2: $V_{OUT} = V_{REF} \cdot [1 + (R_T / R_B)] \quad (\text{EQ. 2})$ Where: $V_{OUT}$ = Output voltage $V_{REF}$ = Reference voltage (0.6V typical) $R_T$ = Top divider resistor (Must be 1k $\Omega$ ) $R_B$ = Bottom divider resistor The top divider resistor must be 1k $\Omega$ to mitigate SEE. Connect a 4.7nF ceramic capacitor across $R_T$ to mitigate SEE and to improve stability margins.
22	EN	This pin is the enable input to the IC. This is a comparator type input with a rising threshold of 0.6V and programmable hysteresis. Driving this pin above 0.6V enables the IC. Bypass this pin to AGND with a 10nF ceramic capacitor to mitigate SEE.
23	PORSEL	This pin is the input for selecting the rising and falling POR (Power-On-Reset) thresholds. For a nominal 5V supply, connect this pin to DVDD. For a nominal 3.3V supply, connect this pin to DGND. For nominal supply voltages between 5V and 3.3V, connect this pin to DGND.

# Typical Application Schematic

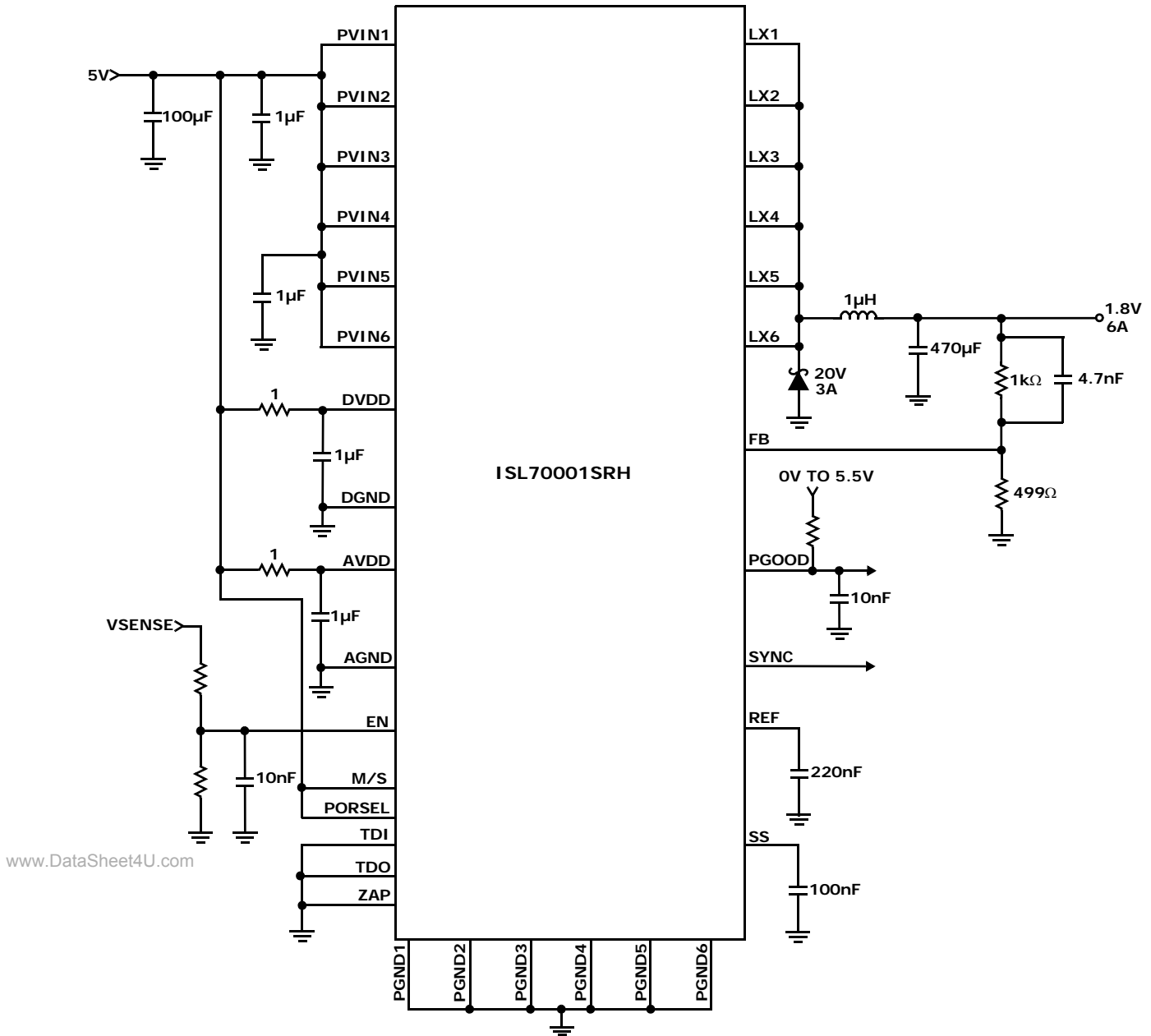


FIGURE 1. 5V INPUT SUPPLY VOLTAGE WITH MASTER MODE SYNCHRONIZATION

Typical Application Schematic (Continued)

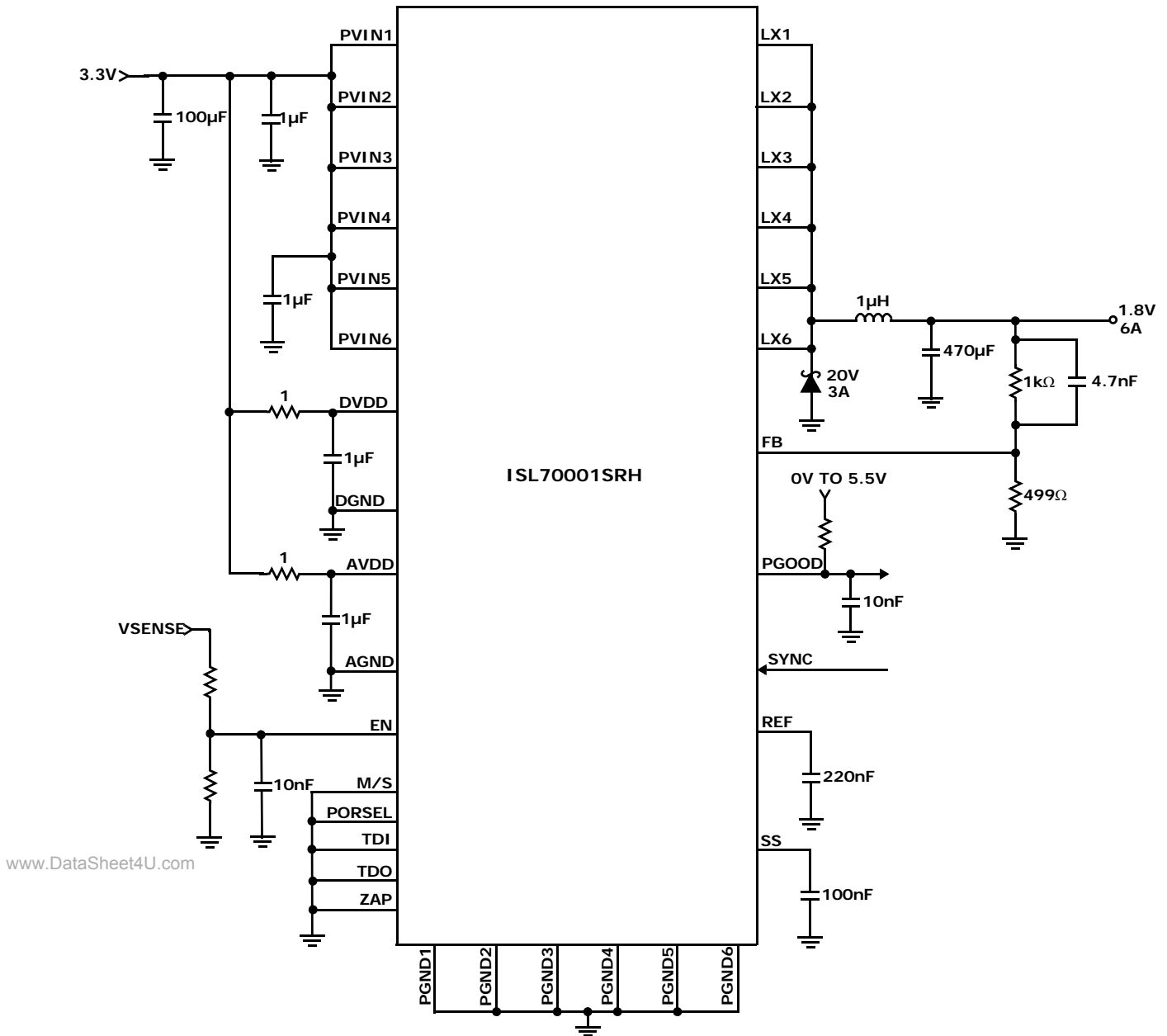


FIGURE 2. 3.3V INPUT SUPPLY VOLTAGE WITH SLAVE MODE SYNCHRONIZATION

**Electrical Specifications** Unless otherwise noted,  $V_{IN} = AVDD = DVDD = PVINx = EN = M/S = 3V$  or  $5.5V$ ;  $GND = AGND = DGND = PGNDx = TDI = TDO = ZAP = 0V$ ;  $FB = 0.65V$ ;  $PORSEL = V_{IN}$  for  $4.5V \leq V_{IN} \leq 5.5V$  and  $GND$  for  $V_{IN} < 4.5V$ ;  $SYNC = LXx = \text{Open Circuit}$ ;  $PGOOD$  is pulled up to  $V_{IN}$  with a  $1k$  resistor;  $REF$  is bypassed to  $GND$  with a  $220nF$  capacitor;  $SS$  is bypassed to  $GND$  with a  $100nF$  capacitor;  $I_{OUT} = 0A$ ;  $T_A = T_J = +25^\circ C$ . (Note 3)

PARAMETER	TEST CONDITIONS	MIN	TYP	MAX	UNITS
<b>POWER SUPPLY</b>					
Operating Supply Current	$V_{IN} = 5.5V$		40		mA
	$V_{IN} = 3.6V$		25		mA
Shutdown Supply Current	$V_{IN} = 5.5V, EN = GND$		6		mA
	$V_{IN} = 3.6V, EN = GND$		3		mA
<b>OUTPUT VOLTAGE</b>					
Reference Voltage Tolerance			0.6		V
Output Voltage Tolerance	$V_{OUT} = 0.8V$ to $2.5V$ for $V_{IN} = 4.5V$ to $5.5V$ , $V_{OUT} = 0.8V$ to $2.5V$ for $V_{IN} = 3V$ to $3.6V$ , $I_{OUT} = 0A$ to $6A$ (Notes 4, 5)		0		%
Feedback (FB) Input Leakage Current	$V_{IN} = 5.5V, V_{FB} = 0.6V$		0		$\mu A$
<b>PWM CONTROL LOGIC</b>					
Oscillator Accuracy			1		MHz
External Oscillator Range			1		MHz
Minimum LXx On Time	$V_{IN} = 5.5V, \text{Test Mode}$		110		ns
Minimum LXx Off Time	$V_{IN} = 5.5V, \text{Test Mode}$		40		ns
Minimum LXx On Time	$V_{IN} = 3V, \text{Test Mode}$		150		ns
Minimum LXx Off Time	$V_{IN} = 3V, \text{Test Mode}$		50		ns
Master/Slave (M/S) Input Voltage	Input High Threshold		1.3		V
	Input Low Threshold		1.2		V
Master/Slave (M/S) Input Leakage Current	$V_{IN} = 5.5V, M/S = GND$ or $V_{IN}$		0		$\mu A$
Synchronization (SYNC) Input Voltage	Input High Threshold, $M/S = GND$		1.7		V
	Input Low Threshold, $M/S = GND$		1.5		V
Synchronization (SYNC) Input Leakage Current	$V_{IN} = 5.5V, M/S = GND, SYNC = GND$ or $V_{IN}$		0		$\mu A$
Synchronization (SYNC) Output Voltage	$V_{IN} - V_{OH} @ I_{OH} = -1mA$		0.15		V
	$V_{OL} @ I_{OL} = 1mA$		0.15		V
<b>POWER BLOCKS</b>					
Upper Device $r_{DS(ON)}$	$V_{IN} = 3V, 0.4A$ Per Power Block, Test Mode (Note 5)		215		$m\Omega$
Lower Device $r_{DS(ON)}$	$V_{IN} = 3V, 0.4A$ Per Power Block, Test Mode (Note 5)		146		$m\Omega$
LXx Output Leakage	$V_{IN} = 5.5V, EN = LXx = GND$ , Single LXx Output		0		$\mu A$
	$V_{IN} = 5.5V, EN = GND, LXx = V_{IN}$ , Single LXx Output		0		$\mu A$
Deadtime	Within a Single Power Block or between Power Blocks (Note 5)		5		ns
Efficiency	$V_{IN} = 3.3V, V_{OUT} = 1.8V, I_{OUT} = 3A$		90		%
	$V_{IN} = 5V, V_{OUT} = 2.5V, I_{OUT} = 3A$		92		%

**Electrical Specifications** Unless otherwise noted,  $V_{IN} = AVDD = DVDD = PVINx = EN = M/S = 3V$  or  $5.5V$ ;  $GND = AGND = DGND = PGNDx = TDI = TDO = ZAP = 0V$ ;  $FB = 0.65V$ ;  $PORSEL = V_{IN}$  for  $4.5V \leq V_{IN} \leq 5.5V$  and  $GND$  for  $V_{IN} < 4.5V$ ,  $SYNC = LXx = \text{Open Circuit}$ ;  $PGOOD$  is pulled up to  $V_{IN}$  with a  $1k$  resistor;  $REF$  is bypassed to  $GND$  with a  $220nF$  capacitor;  $SS$  is bypassed to  $GND$  with a  $100nF$  capacitor;  $I_{OUT} = 0A$ ;  $T_A = T_J = +25^\circ C$ . (Note 3) **(Continued)**

PARAMETER	TEST CONDITIONS	MIN	TYP	MAX	UNITS
<b>POWER-ON RESET</b>					
POR Select (PORSEL)	Input High Threshold		1.4		V
	Input Low Threshold		1.2		V
POR Select (PORSEL) Input Leakage Current	$V_{IN} = 5.5V$ , $PORSEL = GND$ or $V_{IN}$		0		$\mu A$
VIN POR	Rising Threshold, $PORSEL = V_{IN}$		4.25		V
	Hysteresis, $PORSEL = V_{IN}$		325		mV
	Rising Threshold, $PORSEL = GND$		2.8		V
	Hysteresis, $PORSEL = GND$		175		mV
Enable (EN) Input Voltage	Rising/Falling Threshold		0.6		V
Enable (EN) Input Leakage Current	$V_{IN} = 5.5V$ , $EN = GND$ or $V_{IN}$		0		$\mu A$
Enable (EN) Sink Current	$EN = 0.3V$		11		$\mu A$
<b>SOFT-START</b>					
Soft-Start Source Current	$SS = GND$		23		$\mu A$
Soft-Start Discharge ON-Resistance			2.2		$\Omega$
Soft-Start Discharge Time			256		Clock Cycles
<b>POWER-GOOD SIGNAL</b>					
Rising Threshold	$V_{FB}$ as a % of $V_{REF}$ , Test Mode		111		%
Rising Hysteresis	$V_{FB}$ as a % of $V_{REF}$ , Test Mode		3.5		%
Falling Threshold	$V_{FB}$ as a % of $V_{REF}$ , Test Mode		89		%
Falling Hysteresis	$V_{FB}$ as a % of $V_{REF}$ , Test Mode		3.5		%
Power-Good Drive	$V_{IN} = 3V$ , $PGOOD = 0.4V$ , $EN = GND$				mA
Power-Good Leakage	$V_{IN} = PGOOD = 5.5V$		0		$\mu A$
<b>PROTECTION FEATURES</b>					
Undervoltage Monitor					
Undervoltage Trip Threshold	$V_{IN} = 3V$ , $V_{FB}$ as a % of $V_{REF}$ , Test mode		75		%
Undervoltage Recovery Threshold	$V_{IN} = 3V$ , $V_{FB}$ as a % of $V_{REF}$ , Test mode		88		%
Overcurrent Monitor					
Overcurrent Trip Level	LX4 Power Block, Test Mode, (Note 6)		1.9		A
Overcurrent or Short-Circuit Duty-Cycle	$V_{IN} = 3V$ , $SS$ interval = $200\mu s$ , Test Mode, Fault interval divided by hiccup interval		0.8		%

## NOTES:

- Typical values shown are not guaranteed.
- Limits do not include tolerance of external feedback resistors. The 0A to 6A output current range may be reduced by Minimum LXx On Time and Minimum LXx Off Time specifications.
- Limits established by characterization or analysis and are not production tested.
- During an output short-circuit, peak current through the power block(s) can continue to build beyond the overcurrent trip level by up to 3A. With all six power blocks connected, peak current through the power blocks and output inductor could reach  $(6 \times 2.5A) + 3A = 18A$ . The output inductor must support this peak current without saturating.



## Functional Description

The ISL70001SRH is a monolithic, fixed frequency, current-mode synchronous buck regulator with user configurable power blocks. Two ISL70001SRH devices can be used to provide a total DC/DC solution for FPGAs, CPLDs, DSPs and CPUs.

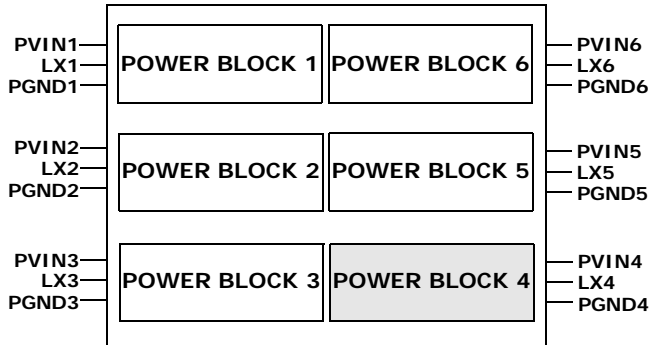


FIGURE 3. POWER BLOCK DIAGRAM

### Power Blocks

The power output stage of the regulator consists of six 1A capable power blocks that are paralleled to provide full 6A output current capability. The block diagram in Figure 3 shows a top level view of the individual power blocks.

Each power block has a power supply input pin, PVIN<sub>x</sub>, a phase output pin, LX<sub>x</sub>, and a power supply ground pin, PGND<sub>x</sub>. All PVIN<sub>x</sub> pins must be connected to a common power supply rail and all PGND<sub>x</sub> pins must be connected to a common ground. LX<sub>x</sub> pins should be connected to the output inductor based on the required load current, but must include the LX4 pin. For example, if 3A of output current is needed, any three LX<sub>x</sub> pins can be connected to the inductor as long as one of them is the LX4 pin. The unused LX<sub>x</sub> pins should be left unconnected. Connecting all six LX<sub>x</sub> pins to the output inductor provides a maximum 6A of output current. See the "Typical Application Schematic" on page 5 for pin connection guidance.

A scaled pilot device associated with each power block provides current feedback. Power block 4 contains the master pilot device and this is why it must be connected to the output inductor.

### Main Control Loop

During normal operation, the internal top power switch is turned on at the beginning of each clock cycle. Current in the output inductor ramps up until the current comparator trips and turns off the top power MOSFET. The bottom power MOSFET turns on and the inductor current ramps down for the rest of the cycle.

The current comparator compares the output current at the ripple current peak to a current pilot. The error amplifier monitors  $V_{OUT}$  and compares it with an internal reference voltage. The output voltage of the error amplifier drives a proportional current to the

pilot. If  $V_{OUT}$  is low, the current level of the pilot is increased and the trip off current level of the output is increased. The increased output current raises  $V_{OUT}$  until it is in agreement with the reference voltage.

### Output Voltage Selection

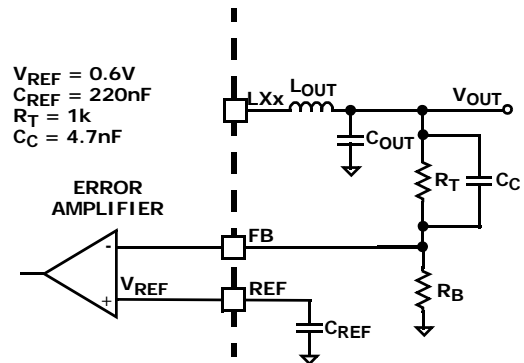


FIGURE 4. OUTPUT VOLTAGE SELECTION

The output voltage of the ISL70001SRH can be adjusted using an external resistor divider as shown in Figure 4.  $R_T$  should be selected as 1k $\Omega$  to mitigate SEE.  $R_T$  should be shunted by a 4.7nF ceramic capacitor,  $C_C$ , to mitigate SEE and to improve loop stability margins. The REF pin should be bypassed to AGND with a 220nF ceramic capacitor to mitigate SEE. It should be noted that no current (sourcing or sinking) is available from the REF pin.  $R_B$  can be determined from Equation 3. The designer can configure the output voltage from 0.8V to 85% of the input voltage.

$$R_B = R_T \cdot \frac{V_{REF}}{V_{OUT} - V_{REF}} \quad (\text{EQ. 3})$$

### Switching Frequency/Synchronization

The ISL70001SRH features an internal oscillator running at a fixed frequency of 1MHz  $\pm$ 15% over recommended operating conditions. The regulator can be configured to run from the internal oscillator or can be synchronized to another ISL70001SRH or an SEE hardened external clock with a frequency range of 1MHz  $\pm$ 20%.

To run the regulator from the internal oscillator, connect the M/S pin to DVDD. In this case the output of the internal oscillator appears on the SYNC pin. To synchronize the regulator to the SYNC output of another ISL70001SRH regulator or to an SEE hardened external clock, connect the M/S pin to DGND. In this case the SYNC pin is an input that accepts an external synchronizing signal. When synchronizing multiple devices, Slave regulators are synchronized 180° out-of-phase with respect to the SYNC output of a Master regulator or to an external clock.

### Operation Initialization

The ISL70001SRH initializes based on the state of the power-on reset (POR) monitor of the PVIN<sub>x</sub> inputs and the state of the EN input. Successful initialization prompts a soft-start interval and the regulator begins

slowly ramping the output voltage. Once the commanded output voltage is within the proper window of operation, the power-good signal changes state from low to high indicating proper regulator operation.

### Power-On Reset

The POR circuitry prevents the controller from attempting to soft-start before sufficient bias is present at the PVINx pins.

The POR threshold of the PVINx pins is controlled by the PORSEL pin. For a nominal 5V supply voltage, PORSEL should be connected to DVDD. For a nominal 3.3V supply voltage, PORSEL should be connected to DGND. For nominal supply voltages between 5V and 3.3V, PORSEL should be connected to DGND. The POR rising and falling thresholds are shown in the "Electrical Specifications" table on page 8.

Hysteresis between the rising and falling thresholds insures that small perturbations on PVINx seen during turn-on/turn-off of the regulator do not cause inadvertent turn-off/turn-on of the regulator. When the PVINx pins are below the POR rising threshold, the internal synchronous power MOSFET switches are turned off and the LXx pins are held in a high-impedance state.

### Enable and Disable

After the POR input requirement is met, the ISL70001SRH remains in shutdown until the voltage at the enable input rises above the enable threshold. As shown in Figure 5, the enable circuit features a comparator type input. In addition to simple logic on/off control, the enable circuit allows the level of an external voltage to precisely gate the turn-on/turn-off of the regulator. An internal  $I_{EN}$  current sink with a typical value of  $11\mu\text{A}$  is only active when the voltage on the EN pin is below the enable threshold. The current sink pulls the EN pin low. As  $V_{IN2}$  rises, the enable level is not set exclusively by the resistor divider from  $V_{IN2}$ . With the current sink active, the enable level is defined by Equation 4. R1 is the resistor from the EN pin to  $V_{IN2}$  and R2 is the resistor from the EN pin to the AGND pin.

$$V_{ENABLE} = V_R \cdot \left[ 1 + \frac{R1}{R2} \right] + I_{EN} \cdot R1 \quad (\text{EQ. 4})$$

Once the voltage at the EN pin reaches the enable threshold, the  $I_{EN}$  current sink turns off.

With the part enabled and the  $I_{EN}$  current sink off, the disable level is set by the resistor divider. The disable level is defined by Equation 5.

$$V_{DISABLE} = V_R \cdot \left[ 1 + \frac{R1}{R2} \right] \quad (\text{EQ. 5})$$

The difference between the enable and disable levels provides adjustable hysteresis so that noise on  $V_{IN2}$  does not interfere with the enabling or disabling of the regulator.

The EN pin should be bypassed to the AGND pin with a 10nF ceramic capacitor to mitigate SEE.

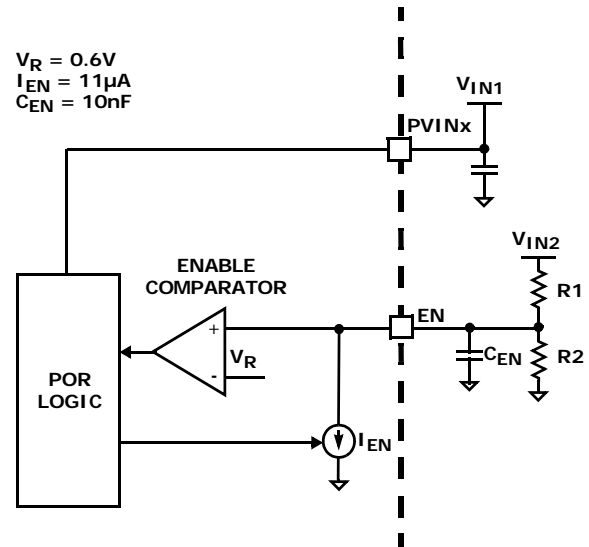


FIGURE 5. ENABLE CIRCUIT

### Soft-Start

Once the POR and enable circuits are satisfied, the regulator initiates a soft-start. Figure 6 shows that the soft-start circuit clamps the error amplifier reference voltage to the voltage on an external soft-start capacitor connected to the SS pin. The soft-start capacitor is charged by an internal  $I_{SS}$  current source. As the soft-start capacitor is charged, the output voltage slowly ramps to the set point determined by the reference voltage and the feedback network. Once the voltage on the SS pin is equal to the internal reference voltage, the soft-start interval is complete. The controlled ramp of the output voltage reduces the inrush current during start-up. The soft-start output ramp interval is defined in Equation 6 and is adjustable from approximately 2ms to 200ms. The value of the soft-start capacitor,  $C_{SS}$ , should range from 8.2nF to 8.2μF, inclusive. The peak inrush current can be computed from Equation 7. The soft-start interval should be selected long enough to insure that the peak inrush current plus the peak output load current does not exceed the overcurrent trip level of the regulator.

$$t_{SS} = C_{SS} \cdot \frac{V_{REF}}{I_{SS}} \quad (\text{EQ. 6})$$

$$I_{INRUSH} = C_{OUT} \cdot \frac{V_{OUT}}{t_{SS}} \quad (\text{EQ. 7})$$

The soft-start capacitor is immediately discharged by a 2.2Ω resistor whenever POR conditions are not met or EN is pulled low. The soft-start discharge time is equal to 256 clock cycles.

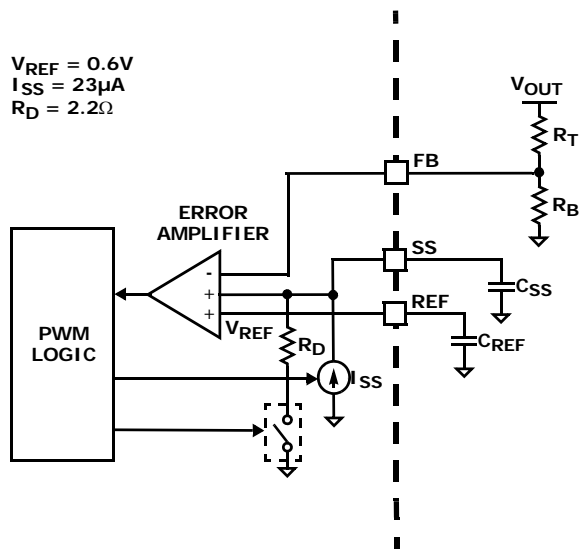


FIGURE 6. SOFT-START CIRCUIT

### Power-Good

The power-good (PGOOD) pin is an open-drain logic output which indicates when the output voltage of the regulator is within regulation limits. The power-good pin pulls low during shutdown and remains low when the controller is enabled. After a successful soft-start, the PGOOD pin releases and the voltage rises with an external pull-up resistor. The power-good signal transitions low immediately when the EN pin is pulled low.

The power-good circuitry monitors the FB pin and compares it to the rising and falling thresholds shown in the "Electrical Specifications" table on page 8. If the feedback voltage exceeds the typical rising limit of 111% of the reference voltage, the PGOOD pin pulls low. The PGOOD pin continues to pull low until the feedback voltage falls to a typical of 107.5% of the reference voltage. If the feedback voltage drops below a typical of 89% of the reference voltage, the PGOOD pin pulls low. The PGOOD pin continues to pull low until the feedback voltage rises to a typical 92.5% of the reference voltage. The PGOOD pin then releases and signals the return of the output voltage within the power-good window.

The PGOOD pin can be pulled up to any voltage from 0V to 5.5V, independent of the supply voltage. The pull-up resistor should have a nominal value from 1k $\Omega$  to 10k $\Omega$ . The PGOOD pin should be bypassed to DGND with a 10nF ceramic capacitor to mitigate SEE.

### Fault Monitoring and Protection

The ISL70001SRH actively monitors output voltage and current to detect fault conditions. Fault conditions trigger protective measures to prevent damage to the regulator and external load device.

### Undervoltage Protection

A hysteretic comparator monitors the FB pin of the regulator. The feedback voltage is compared to an undervoltage threshold that is a fixed percentage of the reference voltage. Once the comparator trips, indicating a valid undervoltage condition, a 3-bit undervoltage counter increments. The counter is reset if the feedback voltage rises back above the undervoltage threshold plus a specified amount of hysteresis outlined in the "Electrical Specifications" table on page 8. If the 3-bit counter overflows, the undervoltage protection logic shuts down the regulator.

After the regulator shuts down, it enters a delay interval, equivalent to the soft-start interval, allowing the device to cool. The undervoltage counter is reset entering the delay interval. The protection logic initiates a normal soft-start once the delay interval ends. If the output successfully soft-starts, the power-good signal goes high and normal operation continues. If undervoltage conditions continue to exist during the soft-start interval, the undervoltage counter must overflow before the regulator shuts down again. This hiccup mode continues indefinitely until the output soft-starts successfully.

### Overcurrent Protection

A pilot device integrated into the PMOS transistor of Power Block 4 samples current each cycle. This current feedback is scaled and compared to an overcurrent threshold based on the number of Power Blocks connected. Each additional Power Block connected beyond Power Block 4 increases the overcurrent limit by 2A. For example, if three Power Blocks are connected, the typical current limit threshold would be 3 x 2A = 6A.

If the sampled current exceeds the overcurrent threshold, a 3-bit overcurrent counter increments by one LSB. If the sampled current falls below the threshold before the counter overflows, the counter is reset. Once the overcurrent counter reaches 111, the regulator shuts down.

After the regulator shuts down, it enters a delay interval, equivalent to the soft-start interval, allowing the device to cool. The overcurrent counter is reset entering the delay interval. The protection logic initiates a normal soft-start once the delay interval ends. If the output successfully soft-starts, the power-good signal goes high and normal operation continues. If overcurrent conditions continue to exist during the soft-start interval, the overcurrent counter must overflow before the regulator shut downs the output again. This hiccup mode continues indefinitely until the output soft-starts successfully.

Note: It is recommended that a Schottky diode of appropriate rating be added from the LXx pins to the PGNDx pins to prevent severe negative ringing that can disturb the overcurrent counter.

## Component Selection Guide

This design guide is intended to provide a high-level explanation of the steps necessary to create a power converter. It is assumed the reader is familiar with many of the basic skills and techniques referenced below. In addition to this guide, Intersil provides a complete evaluation board that includes schematic, BOM, and an example PCB layout.

### Output Filter Design

The output inductor and the output capacitor bank together form a low-pass filter responsible for smoothing the pulsating voltage at the phase node. The filter must also provide the transient energy until the regulator can respond. Since the filter has low bandwidth relative to the switching frequency, it limits the system transient response. The output capacitors must supply or sink current while the current in the output inductor increases or decreases to meet the load demand.

### OUTPUT CAPACITOR SELECTION

The critical load parameters in choosing the output capacitors are the maximum size of the load step ( $\Delta I_{STEP}$ ), the load-current slew rate ( $di/dt$ ), and the maximum allowable output voltage deviation under transient loading ( $\Delta V_{MAX}$ ). Capacitors are characterized according to their capacitance, ESR (Equivalent Series Resistance) and ESL (Equivalent Series Inductance).

At the beginning of a load transient, the output capacitors supply all of the transient current. The output voltage will initially deviate by an amount approximated by the voltage drop across the ESL. As the load current increases, the voltage drop across the ESR increases linearly until the load current reaches its final value. Neglecting the contribution of inductor current and regulator response, the output voltage initially deviates by an amount shown in Equation 8.

$$\Delta V_{MAX} \approx \left[ ESL \times \frac{di}{dt} \right] + [ESR \times \Delta I_{STEP}] \quad (\text{EQ. 8})$$

The filter capacitors selected must have sufficiently low ESL and ESR such that the total output voltage deviation is less than the maximum allowable ripple.

Most capacitor solutions rely on a mixture of high frequency capacitors with relatively low capacitance in combination with bulk capacitors having high capacitance but larger ESR. Minimizing the ESL of the high-frequency capacitors allows them to support the output voltage as the current increases. Minimizing the ESR of the bulk capacitors allows them to supply the increased current with less output voltage deviation.

Ceramic capacitors with X7R dielectric are recommended. Alternately, a combination of low ESR solid tantalum capacitors and ceramic capacitors with X7R dielectric may be used.

The ESR of the bulk capacitors is responsible for most of the output voltage ripple. As the bulk capacitors sink

and source the inductor AC ripple current, a voltage,  $V_{P-P(MAX)}$ , develops across the bulk capacitor according to Equation 9.

$$V_{P-P(MAX)} = ESR \times \left[ \frac{(V_{IN} - V_{OUT})V_{OUT}}{L_{OUT} \times f_s \times V_{IN}} \right] \quad (\text{EQ. 9})$$

Another consideration in selecting the output capacitors is loop stability. The total output capacitance sets the dominant pole of the PWM. Because the ISL70001SRH uses integrated compensation techniques, it necessary to restrict the output capacitance in order to optimize loop stability. The recommended load capacitance can be estimated using Equation 10.

$$C_{OUT} = 75\mu\text{F} \times \text{NumberofLXxPinsConnected} \times \frac{1.8V}{V_{OUT}} \quad (\text{EQ. 10})$$

### OUTPUT INDUCTOR SELECTION

Once the output capacitors are selected, the maximum allowable ripple voltage,  $V_{P-P(MAX)}$ , determines the lower limit on the inductance as shown in Equation 11.

$$L_{OUT} \geq ESR \times \left[ \frac{(V_{IN} - V_{OUT})V_{OUT}}{f_s \times V_{IN} \times V_{P-P(MAX)}} \right] \quad (\text{EQ. 11})$$

Since the output capacitors are supplying a decreasing portion of the load current while the regulator recovers from the transient, the capacitor voltage becomes slightly depleted. The output inductor must be capable of assuming the entire load current before the output voltage decreases more than  $\Delta V_{MAX}$ . This places an upper limit on inductance.

Equation 12 gives the upper limit on output inductance for the case when the trailing edge of the current transient causes the greater output voltage deviation than the leading edge. Equation 13 addresses the leading edge. Normally, the trailing edge dictates the inductance selection because duty cycles are usually <50%. Nevertheless, both inequalities should be evaluated, and inductance should be governed based on the lower of the two results. In each equation,  $L_{OUT}$  is the output inductance,  $C_{OUT}$  is the total output capacitance and  $\Delta I_{L(P-P)}$  is the peak to peak ripple current in the output inductor.

$$L_{OUT} \leq \frac{2 \cdot C_{OUT} \cdot V_{OUT}}{(\Delta I_{STEP})^2} \left[ \Delta V_{MAX} - (\Delta I_{L(P-P)} \cdot ESR) \right] \quad (\text{EQ. 12})$$

$$L_{OUT} \leq \frac{2 \cdot C_{OUT}}{(\Delta I_{STEP})^2} \left[ \Delta V_{MAX} - (\Delta I_{L(P-P)} \cdot ESR) \right] (V_{IN} - V_{OUT}) \quad (\text{EQ. 13})$$

The other concern when selecting an output inductor is to insure there is adequate slope compensation when the regulator is operated above 50% duty cycle. Since the internal slope compensation is fixed, output

inductance should satisfy Equation 14 to insure this requirement is met.

$$L_{OUT} \geq \frac{4.32 \mu\text{H}}{\text{Number of Lx Pins Connected}} \quad (\text{EQ. 14})$$

### Input Capacitor Selection

Input capacitors are responsible for sourcing the AC component of the input current flowing into the switching power devices. Their RMS current capacity must be sufficient to handle the AC component of the current drawn by the switching power devices which is related to duty cycle. The maximum RMS current required by the regulator is closely approximated by Equation 15.

$$I_{RMS\_MAX} = \sqrt{\frac{V_{OUT}}{V_{IN}} \times \left( I_{OUT\_MAX}^2 + \frac{1}{12} \times \left( \frac{V_{IN} - V_{OUT}}{L_{OUT} \times f_s} \times \frac{V_{OUT}}{V_{IN}} \right)^2 \right)} \quad (\text{EQ. 15})$$

The important parameters to consider when selecting an input capacitor are the voltage rating and the RMS ripple current rating. For reliable operation, select capacitors with voltage ratings at least 1.5x greater than the maximum input voltage. The capacitor RMS ripple current rating should be higher than the largest RMS ripple current required by the circuit.

Ceramic capacitors with X7R dielectric are recommended. Alternately, a combination of low ESR solid tantalum capacitors and ceramic capacitors with X7R dielectric may be used. The ISL70001SRH requires a minimum effective input capacitance of 100µF for stable operation.

### PCB Design

PCB design is critical to high-frequency switching regulator performance. Careful component placement and trace routing are necessary to reduce voltage spikes and minimize undesirable voltage drops.

Selection of a suitable thermal interface material is also required for optimum heat dissipation and to provide lead strain relief.

### PCB Plane Allocation

Four layers of two ounce copper are recommended. Layer 2 should be a dedicated ground plane with all critical component ground connections made with vias to this layer. Layer 3 should be a dedicated power plane split between the input and output power rails. Layers 1 and 4 should be used primarily for signals, but can also provide additional power and ground islands as required.

### PCB Component Placement

Components should be placed as close as possible to the IC to minimize stray inductance and resistance. Prioritize the placement of bypass capacitors on the pins of the IC in the order shown: REF, SS, AVDD, DVDD, PVINx (high frequency capacitors), EN, PGOOD, PVINx (bulk capacitors).

Locate the output voltage resistive divider as close as possible to the FB pin of the IC. The top leg of the divider should connect directly to the POL (Point Of Load) and the bottom leg of the divider should connect directly to AGND. The junction of the resistive divider should connect directly to the FB pin.

Locate a Schottky clamp diode as close as possible to the LXx and PGNDx pins of the IC. A small series R-C snubber connected from the LXx pins to the PGNDx pins may be used to damp high frequency ringing on the LXx pins if desired.

### PCB Layout

Use a small island of copper to connect the LXx pins of the IC to the output inductor on layers 1 and 4. Void the copper on layers 2 and 3 adjacent to the island to minimize capacitive coupling to the power and ground planes. Place most of the island of layer 4 to minimize the amount of copper that must be voided from the ground plane (layer 2).

Keep all other signal traces as short as possible.

For an example layout refer to ANxxxx.

### Thermal Management

For optimum thermal performance, place a pattern of vias on the top layer of the PCB directly underneath the IC. Connect the vias to the ground plane on layer 2, which serves as a heatsink. To insure good thermal contact, thermal interface material such as a Sil-Pad or thermally conductive epoxy should be used to fill the gap between the vias and the bottom of the IC.

### Lead Strain Relief

Use of a Sil-Pad or a thin layer of thermally conductive epoxy will raise the bottom of the IC from the PCB surface so that a slight bend can be added to the leads of the IC for strain relief.

## Die Characteristics

### Die Dimensions

5720 $\mu$ m x 5830 $\mu$ m (225.2 mils x 229.5 mils)  
Thickness: 483 $\mu$ m  $\pm$  25.4 $\mu$ m (19.0 mils  $\pm$  1 mil)

### Interface Materials

#### GLASSIVATION

Type: Silicon Oxide and Silicon Nitride  
Thickness: 0.3 $\mu$ m  $\pm$  0.03 $\mu$ m to 1.2 $\mu$ m  $\pm$  0.12 $\mu$ m

#### TOP METALLIZATION

Type: AlCu (0.5%)  
Thickness: 2.7 $\mu$ m  $\pm$  0.4 $\mu$ m

#### SUBSTRATE

Type: Silicon  
Isolation: Junction

### BACKSIDE FINISH

Silicon

### ASSEMBLY RELATED INFORMATION

#### Substrate Potential

PGND

### ADDITIONAL INFORMATION

#### Worst Case Current Density

$< 2 \times 10^5$  A/cm<sup>2</sup>

#### Transistor Count

25030

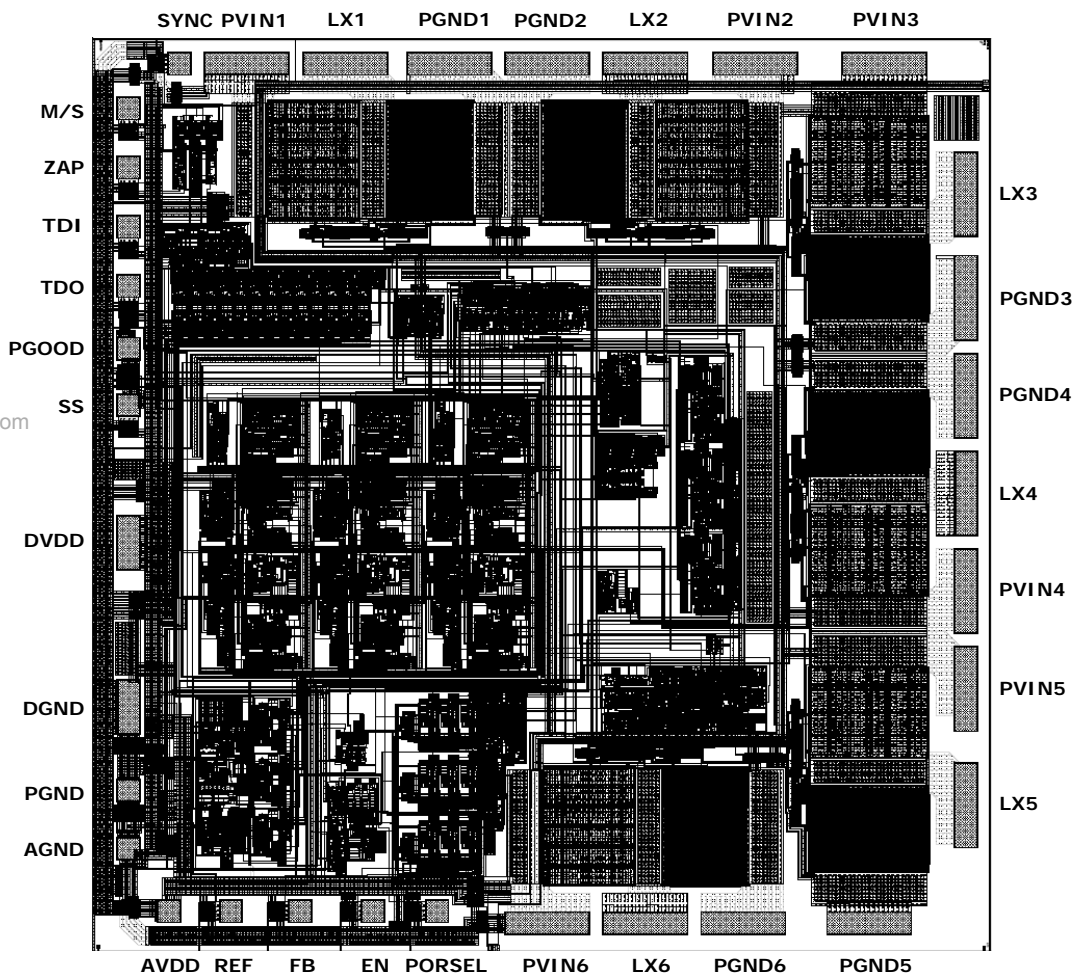
## Layout Characteristics

### Step and Repeat

5720 $\mu$ m x 5830 $\mu$ m  
Connect PGND to PGNDx

## Metallization Mask Layout

ISL70001SRH



www.DataSheet4U.com

TABLE 1. LAYOUT X-Y COORDINATES

PAD NAME	PAD NUMBER	X ( $\mu\text{m}$ )	Y ( $\mu\text{m}$ )	dX ( $\mu\text{m}$ )	dY ( $\mu\text{m}$ )	BOND WIRES PER PAD
AVDD	15	478	263	135	135	1
REF	16	865	263	135	135	1
FB	17	1295	263	135	135	1
EN	18	1751	263	135	135	1
PORSEL	19	2151	263	135	135	1
PVIN6	20	2838	188	521	135	3
LX6	21	3449	188	521	135	3
PGND6	22	4060	188	521	135	3
PGND5	23	4845	188	521	135	3
LX5	24	5449	925	135	521	3
PVIN5	25	5449	1651	135	521	3
PVIN4	26	5449	2263	135	521	3
LX4	27	5449	2874	135	521	3
PGND4	28	5449	3485	135	521	3
PGND3	29	5449	4096	135	521	3
LX3	30	5449	4745	135	521	3
PVIN3	31	4941	5559	521	135	3
PVIN2	32	4137	5559	521	135	3
LX2	33	3449	5559	521	135	3
PGND2	34	2838	5559	521	135	3
PGND1	1	2227	5559	521	135	3
LX1	2	1578	5559	521	135	3
PVIN1	3	962	5559	521	135	3
SYNC	4	544	5559	135	135	1
M/S	5	226	5280	135	135	1
ZAP	6	226	4910	135	135	1
TDI	7	226	4540	135	135	1
TDO	8	226	4170	135	135	1
PGOOD	9	226	3777	135	135	1
SS	10	226	3425	135	135	1
DVDD	11	226	2566	135	333	2
DGND	12	226	1538	135	333	2
PGND	13	226	1018	135	135	1
AGND	14	226	654	135	135	1

## Revision History

The revision history provided is for informational purposes only and is believed to be accurate, but not warranted. Please go to web to make sure you have the latest Rev.

DATE	REVISION	CHANGE
12/15/09	FN6947.0	Initial Release.

## Products

Intersil Corporation is a leader in the design and manufacture of high-performance analog semiconductors. The Company's products address some of the industry's fastest growing markets, such as, flat panel displays, cell phones, handheld products, and notebooks. Intersil's product families address power management and analog signal processing functions. Go to [www.intersil.com/products](http://www.intersil.com/products) for a complete list of Intersil product families.

\*For a complete listing of Applications, Related Documentation and Related Parts, please see the respective device information page on intersil.com: [ISL70001SRH](http://www.intersil.com/ISL70001SRH)

To report errors or suggestions for this datasheet, please go to [www.intersil.com/askourstaff](http://www.intersil.com/askourstaff)

FITs are available from our website at <http://rel.intersil.com/reports/search.php>

For additional products, see [www.intersil.com/product\\_tree](http://www.intersil.com/product_tree)

Intersil products are manufactured, assembled and tested utilizing ISO9000 quality systems as noted in the quality certifications found at [www.intersil.com/design/quality](http://www.intersil.com/design/quality)

*Intersil products are sold by description only. Intersil Corporation reserves the right to make changes in circuit design, software and/or specifications at any time without notice. Accordingly, the reader is cautioned to verify that data sheets are current before placing orders. Information furnished by Intersil is believed to be accurate and reliable. However, no responsibility is assumed by Intersil or its subsidiaries for its use; nor for any infringements of patents or other rights of third parties which may result from its use. No license is granted by implication or otherwise under any patent or patent rights of Intersil or its subsidiaries.*

For information regarding Intersil Corporation and its products, see [www.intersil.com](http://www.intersil.com)