

Improved Industry Standard Single Ended Current Mode PWM Controller

The ISL6842, ISL6843, ISL6844, ISL6845 family of adjustable frequency, low power, pulse width modulating (PWM) current mode controllers is designed for a wide range of power conversion applications including boost, flyback, and isolated output configurations. Peak current mode control effectively handles power transients and provides inherent over-current protection.

This advanced BiCMOS design is pin compatible with the industry standard 384x family of controllers and offers significantly improved performance. Features include low operating current, 60 μ A start-up current, adjustable operating frequency to 2MHz, and high peak current drive capability with 20ns rise and fall times.

Ordering Information

| PART NUMBER | TEMP. RANGE (°C) | PACKAGE | PKG. DWG. # |
|-------------|------------------|-----------|-------------|
| ISL6842IB | -40 to 105 | 8 Ld SOIC | M8.15 |
| ISL6842IU | -40 to 105 | 8 Ld MSOP | M8.118 |
| ISL6843IB | -40 to 105 | 8 Ld SOIC | M8.15 |
| ISL6843IU | -40 to 105 | 8 Ld MSOP | M8.118 |
| ISL6844IB | -40 to 105 | 8 Ld SOIC | M8.15 |
| ISL6844IU | -40 to 105 | 8 Ld MSOP | M8.118 |
| ISL6845IB | -40 to 105 | 8 Ld SOIC | M8.15 |
| ISL6845IU | -40 to 105 | 8 Ld MSOP | M8.118 |

NOTE: Add -T to part number for Tape and Reel packaging.

| PART NUMBER | RISING UVLO | MAX. DUTY CYCLE |
|-------------|-------------|-----------------|
| ISL6842 | 14.4V | 100% |
| ISL6843 | 8.4V | 100% |
| ISL6844 | 14.4V | 50% |
| ISL6845 | 8.4V | 50% |

Features

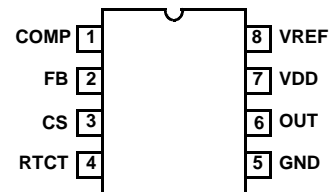
- 1A MOSFET gate driver
- 60 μ A startup current, 100 μ A maximum
- 30ns propagation delay current sense to output
- Fast transient response with peak current mode control
- Adjustable switching frequency to 2MHz
- 20ns rise and fall times with 1nF output load
- Trimmed timing capacitor discharge current for accurate deadtime/maximum duty cycle control
- High bandwidth error amplifier
- Tight tolerance voltage reference over line, load, and temperature
- Tight tolerance current limit threshold

Applications

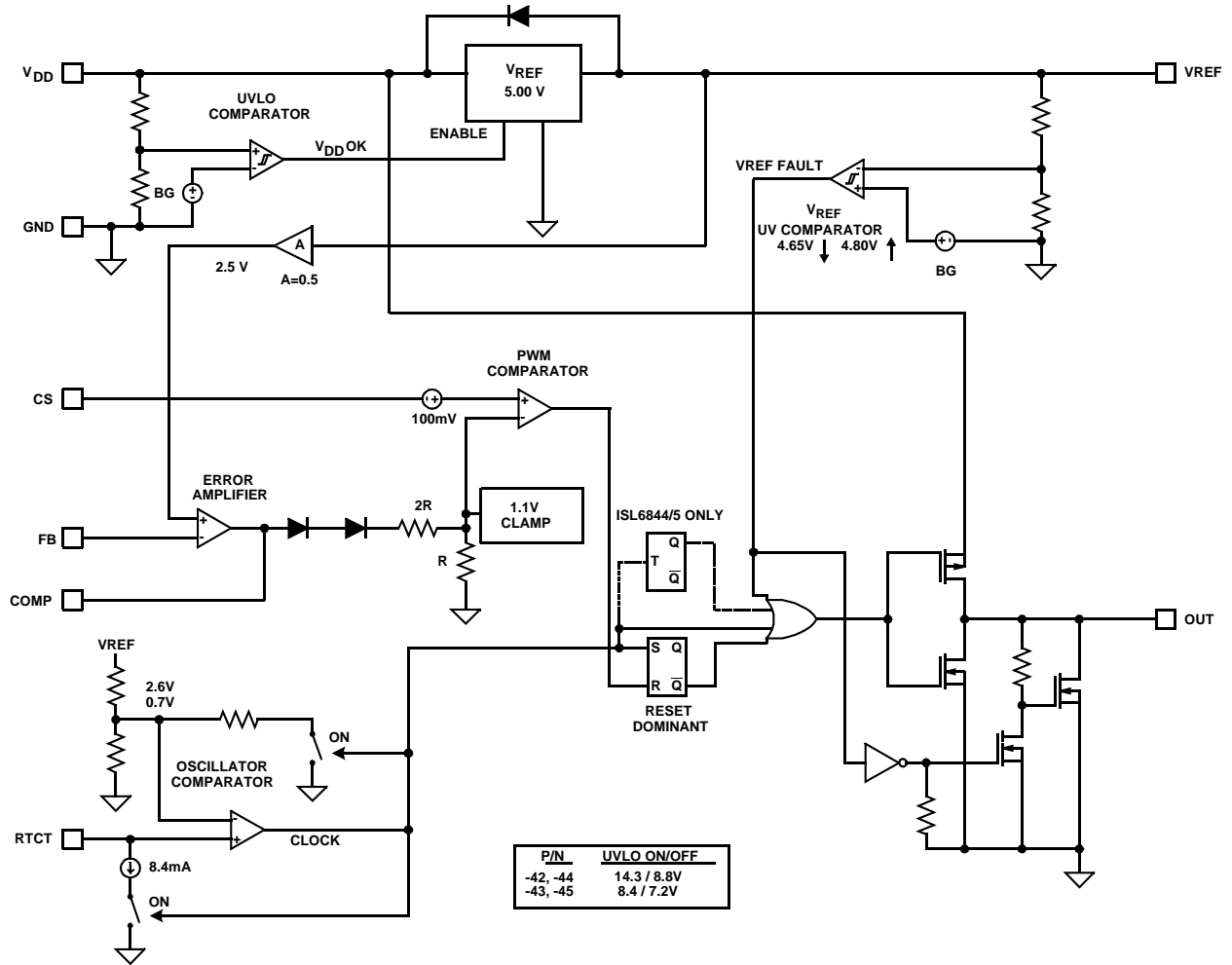
- Telecom and Datacom Power
- Wireless Base Station Power
- File Server Power
- Industrial Power Systems
- PC Power Supplies
- Isolated Buck and Flyback Regulators
- Boost Regulators

Pinout

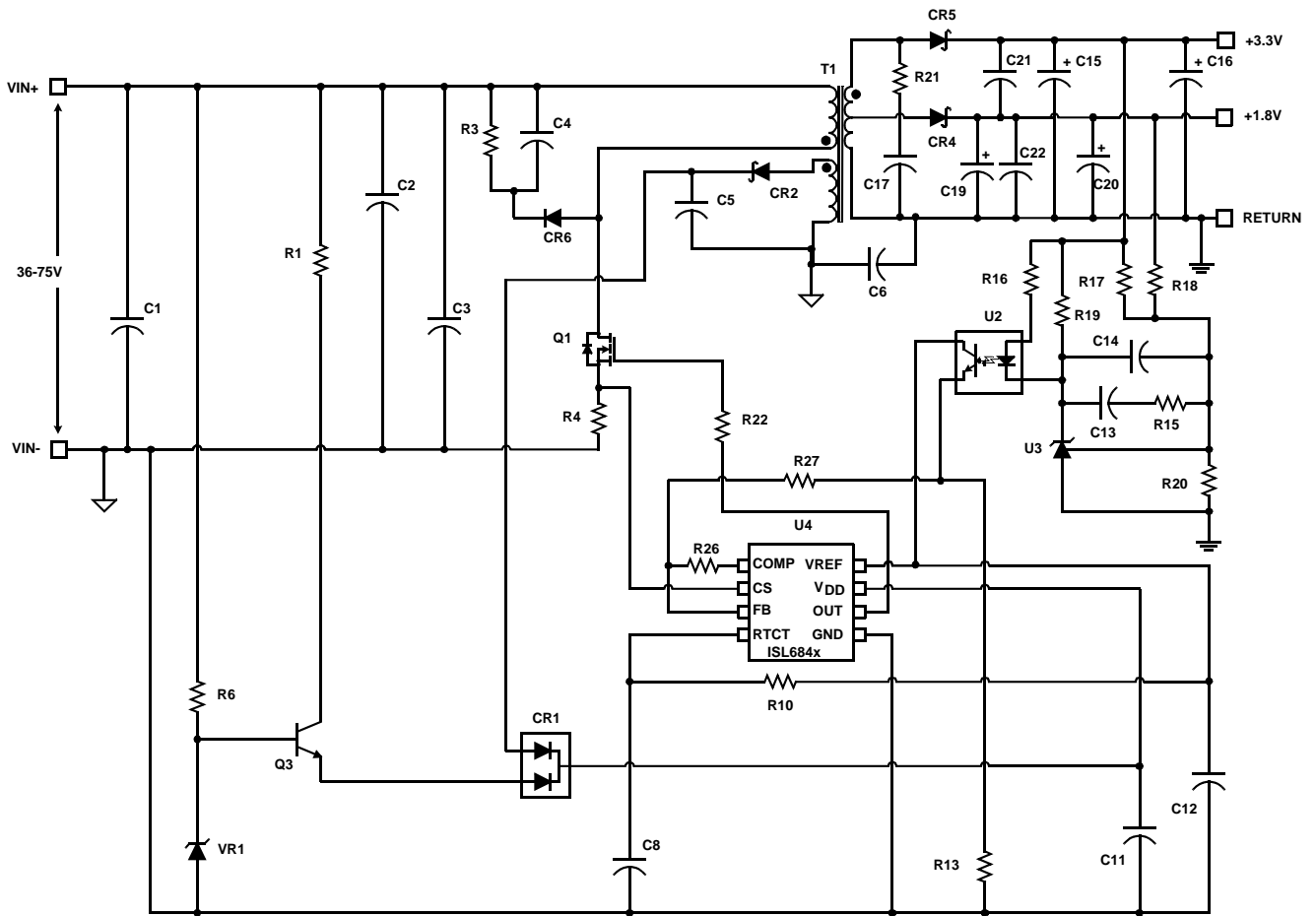
ISL6842, ISL6843, ISL6844, ISL6845
(8-PIN SOIC, MSOP)
TOP VIEW



Functional Block Diagram



Typical Application - 48V Input Dual Output Flyback



ISL6842, ISL6843, ISL6844, ISL6845

Absolute Maximum Ratings

Supply Voltage, V_{DD} GND - 0.3V to +20.0V
 OUT GND - 0.3V to V_{DD} + 0.3V
 Signal Pins GND - 0.3V to 6.0V
 Peak GATE Current 1A
 ESD Classification
 Human Body Model (Per MIL-STD-883 Method 3015.7) ... 2000V
 Charged Device Model (Per EOS/ESD DS5.3, 4/14/93) ... 1000V

Thermal Information

Thermal Resistance (Typical, Note 1) θ_{JA} (°C/W)
 SOIC Package 100
 MSOP Package 130
 Maximum Junction Temperature -55°C to 150°C
 Maximum Storage Temperature Range -65°C to 150°C
 Maximum Lead Temperature (Soldering 10s) 300°C
 (SOIC- Lead Tips Only)

Operating Conditions

Temperature Range
 ISL684xIx -40°C to 105°C
 Supply Voltage Range (Typical)
 ISL6843/5 9V-16V
 ISL6842/4 15V-18V

CAUTION: Stresses above those listed in "Absolute Maximum Ratings" may cause permanent damage to the device. This is a stress only rating and operation of the device at these or any other conditions above those indicated in the operational sections of this specification is not implied.

NOTES:

- θ_{JA} is measured with the component mounted on a high effective thermal conductivity test board in free air. See Tech Brief TB379 for details.
- All voltages are with respect to GND.

Electrical Specifications Recommended operating conditions unless otherwise noted. Refer to Block Diagram and Typical Application schematic. $V_{DD} = 15V$ (Note 6), $R_t = 10k\Omega$, $C_t = 3.3nF$, $T_A = -40$ to $105^\circ C$ (Note 3), Typical values are at $T_A = 25^\circ C$

| PARAMETER | TEST CONDITIONS | MIN | TYP | MAX | UNITS |
|---------------------------------------|---|-------|-------|-----------|---------|
| UNDERVOLTAGE LOCKOUT | | | | | |
| START Threshold (ISL6843, ISL6845) | | 7.8 | 8.4 | 9.0 | V |
| START Threshold (ISL6842, ISL6844) | | 13.3 | 14.3 | 15.3 | V |
| STOP Threshold (ISL6843, ISL6845) | | 6.7 | 7.2 | 7.7 | |
| STOP Threshold (ISL6842, ISL6844) | | 8.0 | 8.8 | 9.6 | V |
| Hysteresis (ISL6843, ISL6845) | | - | 0.8 | - | V |
| Hysteresis (ISL6842, ISL6844) | | - | 5.4 | - | V |
| Start-Up Current, I_{DD} | $V_{DD} < \text{START Threshold}$ | - | 60 | 100 | μA |
| Operating Current, I_{DD} | (Note 4) | - | 3.3 | 4.0 | mA |
| Operating Supply Current, I_D | Includes 1nF GATE loading | - | 4.1 | 5.5 | mA |
| REFERENCE VOLTAGE | | | | | |
| Overall Accuracy | Over line ($V_{DD} = 12V$ to $18V$), load, temp | 4.925 | 5.000 | 5.050 | V |
| Long Term Stability | $T_A = 125^\circ C$, 1000 hours (Note 5) | - | 5 | - | mV |
| Fault Voltage | | 4.40 | 4.65 | 4.85 | V |
| VREF Good Voltage | | 4.60 | 4.80 | VREF-0.05 | V |
| Hysteresis | | 50 | 165 | 250 | mV |
| Current Limit, Sourcing | | -20 | - | - | mA |
| Current Limit, Sinking | | 5 | - | - | mA |
| CURRENT SENSE | | | | | |
| Input Bias Current | $V_{CS} = 1V$ | -1.0 | - | 1.0 | μA |
| CS Offset Voltage | $V_{CS} = 0V$ (Note 5) | 95 | 100 | 105 | mV |
| COMP to PWM Comparator Offset Voltage | $V_{CS} = 0V$ (Note 5) | 0.80 | 1.15 | 1.30 | V |
| Input Signal, Maximum | | 0.91 | 0.97 | 1.03 | V |

ISL6842, ISL6843, ISL6844, ISL6845

Electrical Specifications Recommended operating conditions unless otherwise noted. Refer to Block Diagram and Typical Application schematic. $V_{DD} = 15V$ (Note 6), $R_t = 10k\Omega$, $C_t = 3.3nF$, $T_A = -40$ to $105^\circ C$ (Note 3), Typical values are at $T_A = 25^\circ C$ **(Continued)**

| PARAMETER | TEST CONDITIONS | MIN | TYP | MAX | UNITS |
|--|--|-------|-------|-------|---------|
| Gain, $A_{CS} = \Delta V_{COMP}/\Delta V_{CS}$ | $0 < V_{CS} < 910mV$, $V_{FB} = 0V$ (Note 5) | 2.5 | 3.0 | 3.5 | V/V |
| CS to OUT Delay | (Note 5) | - | 25 | 40 | nS |
| ERROR AMPLIFIER | | | | | |
| Open Loop Voltage Gain | (Note 5) | 60 | 90 | - | dB |
| Unity Gain Bandwidth | (Note 5) | 3.5 | 5 | - | MHz |
| Reference Voltage | $V_{FB} = V_{COMP}$ | 2.475 | 2.500 | 2.525 | V |
| FB Input Bias Current | $V_{FB} = 0V$ | -1.0 | -0.2 | 1.0 | μA |
| COMP Sink Current | $V_{COMP} = 1.5V$, $V_{FB} = 2.7V$ | 1.0 | - | - | mA |
| COMP Source Current | $V_{COMP} = 1.5V$, $V_{FB} = 2.3V$ | -0.4 | - | - | mA |
| COMP VOH | $V_{FB} = 2.3V$ | 4.80 | - | VREF | V |
| COMP VOL | $V_{FB} = 2.7V$ | 0.4 | - | 1.0 | V |
| PSRR | Frequency = 120Hz, $V_{DD} = 12V$ to 18V (Note 5) | 60 | 80 | - | dB |
| OSCILLATOR | | | | | |
| Frequency Accuracy | Initial, $T_J = 25^\circ C$ | 49 | 52 | 55 | kHz |
| Frequency Variation with V_{DD} | $T = 25^\circ C$ ($F_{18V} - F_{12V}$)/ F_{12V} | - | 0.2 | 1.0 | % |
| Temperature Stability | (Note 5) | - | - | 5 | % |
| Amplitude, Peak to Peak | | - | 1.9 | - | V |
| RTCT Discharge Voltage | | - | 0.7 | - | V |
| Discharge Current | RTCT = 2.0V | 7.2 | 8.4 | 9.5 | mA |
| OUTPUT | | | | | |
| Gate VOH | $V_{DD} - OUT$, $I_{OUT} = -200mA$ | - | 1.0 | 2.0 | V |
| Gate VOL | $OUT - GND$, $I_{OUT} = 200mA$ | - | 1.0 | 2.0 | V |
| Peak Output Current | $C_{OUT} = 1nF$ (Note 5) | - | 1.0 | - | A |
| Rise Time | $C_{OUT} = 1nF$ (Note 5) | - | 20 | 40 | nS |
| Fall Time | $C_{OUT} = 1nF$ (Note 5) | - | 20 | 40 | nS |
| PWM | | | | | |
| Maximum Duty Cycle | ISL6842, ISL6843 | 94 | 96 | - | % |
| | ISL6844, ISL6845 | 47 | 48 | - | % |
| Minimum Duty Cycle | ISL6842, ISL6843 | - | - | 0 | % |
| | ISL6844, ISL6845 | - | - | 0 | % |

NOTES:

3. Specifications at $-40^\circ C$ are guaranteed by design, not production tested.
4. This is the V_{DD} current consumed when the device is active but not switching. Does not include gate drive current.
5. Guaranteed by design, not 100% tested in production.
6. Adjust V_{DD} above the start threshold and then lower to 15V.

Typical Performance Curves

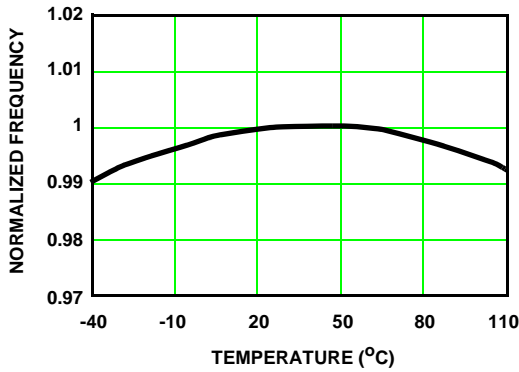


FIGURE 1. FREQUENCY vs TEMPERATURE

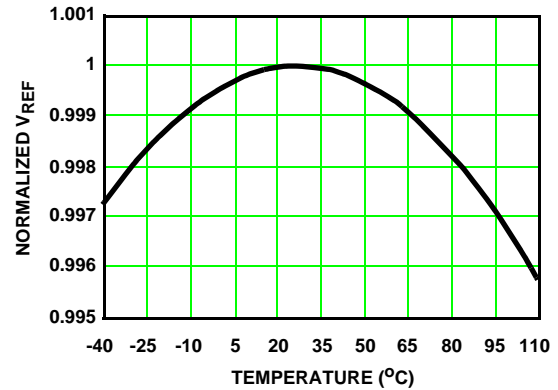


FIGURE 2. REFERENCE VOLTAGE vs TEMPERATURE

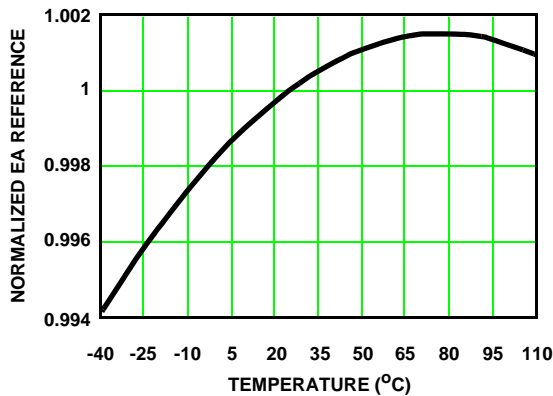


FIGURE 3. EA REFERENCE vs TEMPERATURE

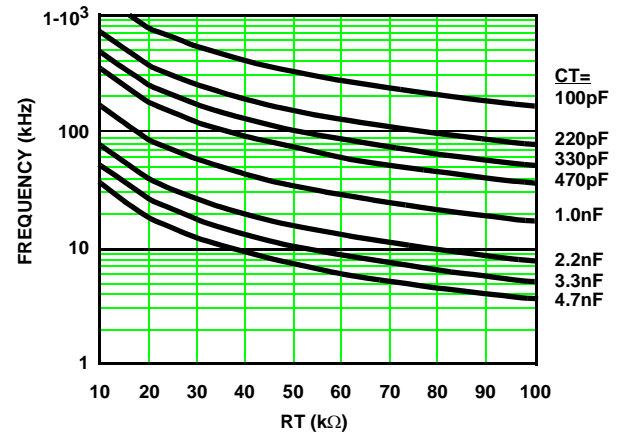


FIGURE 4. RTCT vs FREQUENCY

Pin Descriptions

RTCT - This is the oscillator timing control pin. The operational frequency and maximum duty cycle are set by connecting a resistor, RT , between V_{REF} and this pin and a timing capacitor, CT , from this pin to GND. The oscillator produces a sawtooth waveform with a programmable frequency range up to 2.0MHz. The charge time, T_C , the discharge time, T_D , the switching frequency, f , and the maximum duty cycle, D_{max} , can be calculated from the following equations:

$$T_C \approx 0.583 \cdot RT \cdot CT \quad (\text{EQ. 1})$$

$$T_D \approx -RT \cdot CT \cdot \ln\left(\frac{0.0083 \cdot RT - 4.3}{0.0083 \cdot RT - 2.4}\right) \quad (\text{EQ. 2})$$

$$f = 1/(T_C + T_D) \quad (\text{EQ. 3})$$

$$D = T_C \cdot f \quad (\text{EQ. 4})$$

Figure 4 may be used as a guideline in selecting the capacitor and resistor values required for a given frequency.

COMP - COMP is the output of the error amplifier and the input of the PWM comparator. The control loop frequency compensation network is connected between the COMP and FB pins.

FB - The output voltage feedback is connected to the inverting input of the error amplifier through this pin. The non-inverting input of the error amplifier is internally tied to a reference voltage.

CS - This is the current sense input to the PWM comparator. The range of the input signal is nominally 0 to 1.0V and has an internal offset of 100mV.

GND - GND is the power and small signal reference ground for all functions.

OUT - This is the drive output to the power switching device. It is a high current output capable of driving the gate of a power MOSFET with peak currents of 1.0A. This GATE output is actively held low when V_{DD} is below the UVLO threshold.

$V_{DD} - V_{DD}$ is the power connection for the device. The total supply current will depend on the load applied to OUT. Total I_{DD} current is the sum of the operating current and the average output current. Knowing the operating frequency, f , and the MOSFET gate charge, Q_g , the average output current can be calculated from:

$$I_{OUT} = Q_g \times f \quad \text{(EQ. 5)}$$

To optimize noise immunity, bypass V_{DD} to GND with a ceramic capacitor as close to the V_{DD} and GND pins as possible.

VREF - The 5.00V reference voltage output. +1.0/-1.5% tolerance over line, load and operating temperature. Bypass to GND with a 0.1 μ F to 3.3 μ F capacitor to filter this output as needed.

Functional Description

Features

The ISL6842, ISL6843, ISL6844, ISL6845 current mode PWMs make an ideal choice for low-cost flyback and forward topology applications. With its greatly improved performance over industry standard parts, it is the obvious choice for new designs or existing designs which require updating.

Oscillator

The ISL6842, ISL6843, ISL6844, ISL6845 controllers have a sawtooth oscillator with a programmable frequency range to 2MHz, which can be programmed with a resistor from VREF and a capacitor to GND on the RTCT pin. (Please refer to Fig. 4 for the resistor and capacitance required for a given frequency.)

Soft Start Operation

Soft start must be implemented externally. One method, illustrated below, clamps the voltage on COMP.

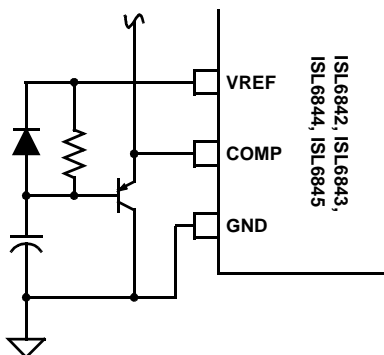


FIGURE 5. SOFT START

Gate Drive

The ISL6842, ISL6843, ISL6844, ISL6845 are capable of sourcing and sinking 1A peak current. To limit the peak current through the IC, an optional external resistor may be placed between the totem-pole output of the IC (OUT pin) and the gate of the MOSFET. This small series resistor also

damps any oscillations caused by the resonant tank of the parasitic inductances in the traces of the board and the FET's input capacitance.

Slope Compensation

For applications where the maximum duty cycle is less than 50%, slope compensation may be used to improve noise immunity, particularly at lighter loads. The amount of slope compensation required for noise immunity is determined empirically, but is generally about 10% of the full scale current feedback signal. For applications where the duty cycle is greater than 50%, slope compensation is required to prevent instability. The minimum amount of slope compensation required corresponds to 1/2 the inductor downslope. Adding excessive slope compensation, however, results in a control loop that behaves more as a voltage mode controller than as current mode controller.

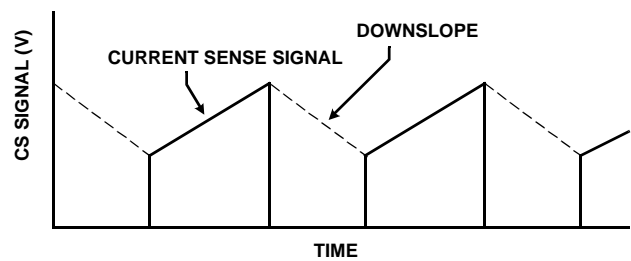


FIGURE 6. CURRENT SENSE DOWNSLOPE

Slope compensation may added to the CS signal in the following manner.

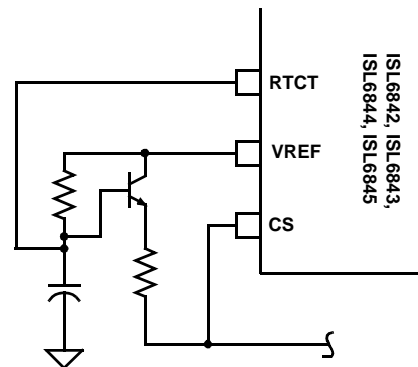


FIGURE 7. SLOPE COMPENSATION

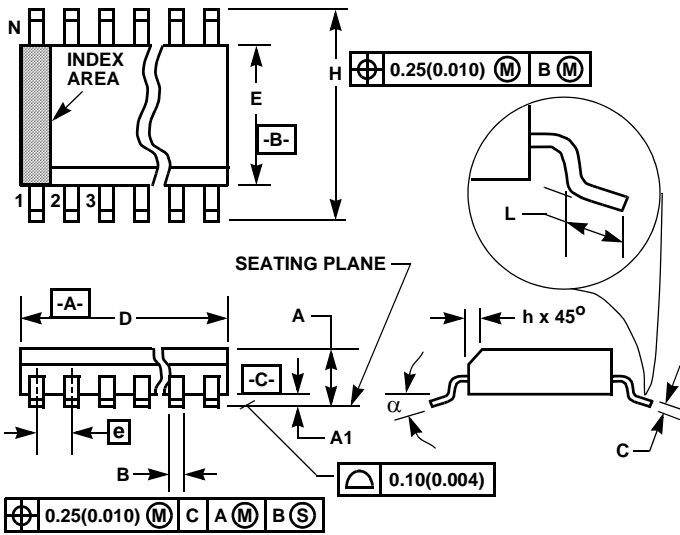
Fault Conditions

A Fault condition occurs if VREF falls below 4.65V. When a Fault is detected OUT is disabled. When VREF exceeds 4.80V, the Fault condition clears, and OUT is enabled.

Ground Plane Requirements

Careful layout is essential for satisfactory operation of the device. A good ground plane must be employed. A unique section of the ground plane must be designated for high di/dt currents associated with the output stage. V_{DD} should be bypassed directly to GND with good high frequency capacitors.

Small Outline Plastic Packages (SOIC)



M8.15 (JEDEC MS-012-AA ISSUE C)
8 LEAD NARROW BODY SMALL OUTLINE PLASTIC PACKAGE

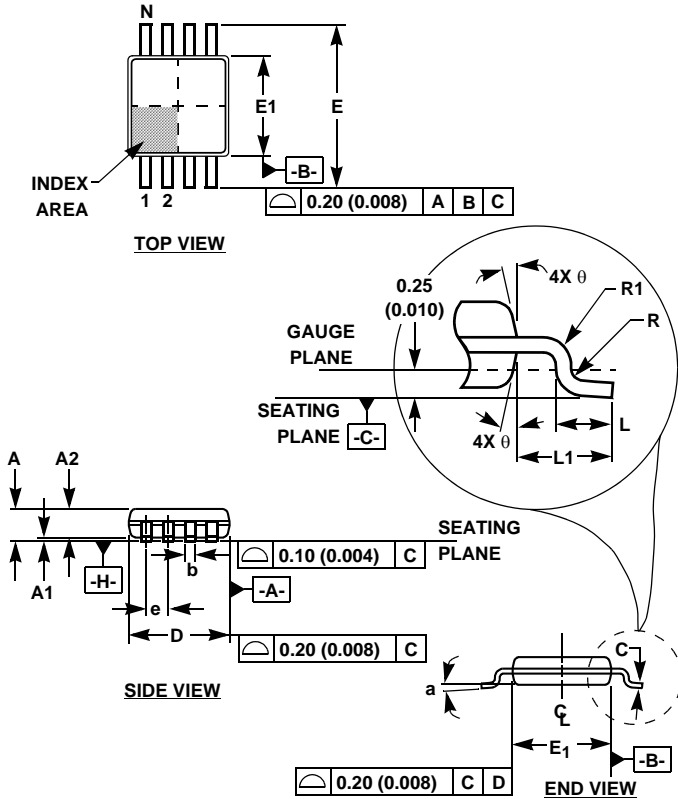
| SYMBOL | INCHES | | MILLIMETERS | | NOTES |
|----------|-----------|--------|-------------|------|-------|
| | MIN | MAX | MIN | MAX | |
| A | 0.0532 | 0.0688 | 1.35 | 1.75 | - |
| A1 | 0.0040 | 0.0098 | 0.10 | 0.25 | - |
| B | 0.013 | 0.020 | 0.33 | 0.51 | 9 |
| C | 0.0075 | 0.0098 | 0.19 | 0.25 | - |
| D | 0.1890 | 0.1968 | 4.80 | 5.00 | 3 |
| E | 0.1497 | 0.1574 | 3.80 | 4.00 | 4 |
| e | 0.050 BSC | | 1.27 BSC | | - |
| H | 0.2284 | 0.2440 | 5.80 | 6.20 | - |
| h | 0.0099 | 0.0196 | 0.25 | 0.50 | 5 |
| L | 0.016 | 0.050 | 0.40 | 1.27 | 6 |
| N | 8 | | 8 | | 7 |
| α | 0° | 8° | 0° | 8° | - |

NOTES:

1. Symbols are defined in the "MO Series Symbol List" in Section 2.2 of Publication Number 95.
2. Dimensioning and tolerancing per ANSI Y14.5M-1982.
3. Dimension "D" does not include mold flash, protrusions or gate burrs. Mold flash, protrusion and gate burrs shall not exceed 0.15mm (0.006 inch) per side.
4. Dimension "E" does not include interlead flash or protrusions. Interlead flash and protrusions shall not exceed 0.25mm (0.010 inch) per side.
5. The chamfer on the body is optional. If it is not present, a visual index feature must be located within the crosshatched area.
6. "L" is the length of terminal for soldering to a substrate.
7. "N" is the number of terminal positions.
8. Terminal numbers are shown for reference only.
9. The lead width "B", as measured 0.36mm (0.014 inch) or greater above the seating plane, shall not exceed a maximum value of 0.61mm (0.024 inch).
10. Controlling dimension: MILLIMETER. Converted inch dimensions are not necessarily exact.

Rev. 0 12/93

Mini Small Outline Plastic Packages (MSOP)



M8.118 (JEDEC MO-187AA)
8 LEAD MINI SMALL OUTLINE PLASTIC PACKAGE

| SYMBOL | INCHES | | MILLIMETERS | | NOTES |
|--------|-----------|-------|-------------|------|-------|
| | MIN | MAX | MIN | MAX | |
| A | 0.037 | 0.043 | 0.94 | 1.10 | - |
| A1 | 0.002 | 0.006 | 0.05 | 0.15 | - |
| A2 | 0.030 | 0.037 | 0.75 | 0.95 | - |
| b | 0.010 | 0.014 | 0.25 | 0.36 | 9 |
| c | 0.004 | 0.008 | 0.09 | 0.20 | - |
| D | 0.116 | 0.120 | 2.95 | 3.05 | 3 |
| E1 | 0.116 | 0.120 | 2.95 | 3.05 | 4 |
| e | 0.026 BSC | | 0.65 BSC | | - |
| E | 0.187 | 0.199 | 4.75 | 5.05 | - |
| L | 0.016 | 0.028 | 0.40 | 0.70 | 6 |
| L1 | 0.037 REF | | 0.95 REF | | - |
| N | 8 | | 8 | | 7 |
| R | 0.003 | - | 0.07 | - | - |
| R1 | 0.003 | - | 0.07 | - | - |
| θ | 5° | 15° | 5° | 15° | - |
| α | 0° | 6° | 0° | 6° | - |

Rev. 2 01/03

NOTES:

- These package dimensions are within allowable dimensions of JEDEC MO-187BA.
- Dimensioning and tolerancing per ANSI Y14.5M-1994.
- Dimension "D" does not include mold flash, protrusions or gate burrs and are measured at Datum Plane. Mold flash, protrusion and gate burrs shall not exceed 0.15mm (0.006 inch) per side.
- Dimension "E1" does not include interlead flash or protrusions and are measured at Datum Plane. [-H-] Interlead flash and protrusions shall not exceed 0.15mm (0.006 inch) per side.
- Formed leads shall be planar with respect to one another within 0.10mm (0.004) at seating Plane.
- "L" is the length of terminal for soldering to a substrate.
- "N" is the number of terminal positions.
- Terminal numbers are shown for reference only.
- Dimension "b" does not include dambar protrusion. Allowable dambar protrusion shall be 0.08mm (0.003 inch) total in excess of "b" dimension at maximum material condition. Minimum space between protrusion and adjacent lead is 0.07mm (0.0027 inch).
- Datums [-A-] and [-B-] to be determined at Datum plane [-H-].
- Controlling dimension: MILLIMETER. Converted inch dimensions are for reference only.

All Intersil U.S. products are manufactured, assembled and tested utilizing ISO9000 quality systems. Intersil Corporation's quality certifications can be viewed at www.intersil.com/design/quality

Intersil products are sold by description only. Intersil Corporation reserves the right to make changes in circuit design, software and/or specifications at any time without notice. Accordingly, the reader is cautioned to verify that data sheets are current before placing orders. Information furnished by Intersil is believed to be accurate and reliable. However, no responsibility is assumed by Intersil or its subsidiaries for its use; nor for any infringements of patents or other rights of third parties which may result from its use. No license is granted by implication or otherwise under any patent or patent rights of Intersil or its subsidiaries.

For information regarding Intersil Corporation and its products, see www.intersil.com