

MC10EPT20

LVTTL/LVCMOS to Differential LVPECL Translator

The MC10EPT20 is a LVTTL/LVCMOS to differential LVPECL translator. Because LVPECL (Positive ECL) levels are used only +3.3V and ground are required. The small outline 8-lead SOIC package and the single gate of the EPT20 makes it ideal for those applications where space, performance, and low power are at a premium.

- 390ps Typical Propagation Delay
- High Bandwidth to 1.0 GHz Typical
- Differential LVPECL Outputs
- Small Outline SOIC Package
- PNP LVTTL Inputs for Minimal Loading
- V_{CC} Range of 3.0V to 3.6V
- ESD Protection: >1.5KV HBM, >200V MM
- Q Output will default HIGH with inputs open
- Moisture Sensitivity Level 1, Indefinite Time Out of Drypack.
For Additional Information, See Application Note AND8003/D
- Flammability Rating: UL-94 code V-0 @ 1/8",
Oxygen Index 28 to 34
- Transistor Count = 150 devices

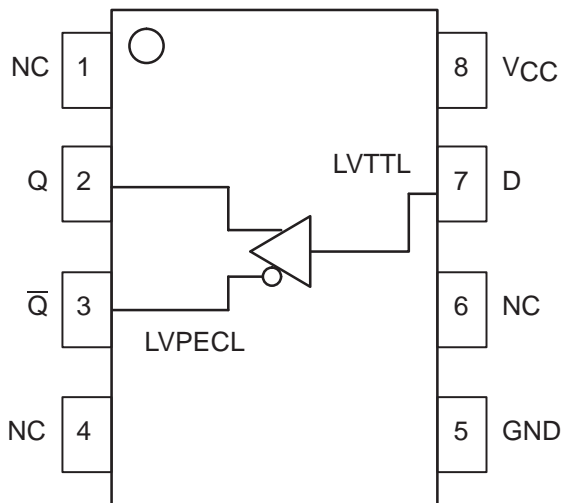
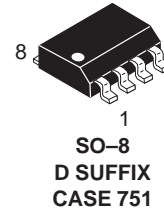


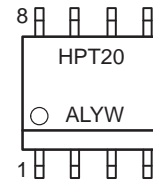
Figure 1. 8-Lead Pinout (Top View) and Logic Diagram



ON Semiconductor
Formerly a Division of Motorola
<http://onsemi.com>



MARKING DIAGRAM



A = Assembly Location
L = Wafer Lot
Y = Year
W = Work Week

*For additional information, see Application Note AND8002/D

PIN DESCRIPTION	
PIN	FUNCTION
Q, Q	Differential LVPECL Outputs
D	LVTTL Input
V _{CC}	Positive Supply
GND	Ground

ORDERING INFORMATION

Device	Package	Shipping
MC10EPT20D	SOIC	98 Units/Rail
MC10EPT20DR2	SOIC	2500 Tape & Reel

MC10EPT20

MAXIMUM RATINGS*

Symbol	Parameter	Value	Unit
V _{CC}	Power Supply	6.0 to 0	VDC
V _I	Input Voltage (V _I not more positive than V _{CC})	6.0 to 0	VDC
I _{out}	Output Current	50 100	mA
	Continuous Surge		
T _A	Operating Temperature Range	-40 to +85	°C
T _{stg}	Storage Temperature	-65 to +150	°C
θ _{JA}	Thermal Resistance (Junction-to-Ambient)	190 130	°C/W
	Still Air 500lfpm		
θ _{JC}	Thermal Resistance (Junction-to-Case)	41 to 44 ± 5%	°C/W
T _{sol}	Solder Temperature (<2 to 3 Seconds: 245°C desired)	265	°C

* Maximum Ratings are those values beyond which damage to the device may occur.

LVTTTL INPUT DC CHARACTERISTICS (V_{CC} = 3.3V ± 0.3V; GND = 0V; T_A = -40°C to +85°C)

Symbol	Characteristic	Min	Typ	Max	Unit
I _{IH}	Input HIGH Current (V _{in} = 2.7V)			20	μA
I _{IHH}	Input HIGH Current MAX (V _{in} = 6.0V)			100	μA
I _{IL}	Input LOW Current (V _{in} = 0.5V)			-0.6	mA
V _{IK}	Input Clamp Voltage (I _{in} = -18mA)			-1.2	V
V _{IH}	Input HIGH Voltage	2.0			V
V _{IL}	Input LOW Voltage			0.8	V

LVPECL OUTPUT DC CHARACTERISTICS (V_{CC} = 3.3V ± 0.3V; GND = 0V) (Note 3.)

Symbol	Characteristic	-40°C			25°C			85°C			Unit
		Min	Typ	Max	Min	Typ	Max	Min	Typ	Max	
I _{CC}	Power Supply Current HIGH (Note 1.)	15	23	31	15	23	31	15	23	31	mA
V _{OH}	Output HIGH Voltage (Note 3.)	2165	2310	2415	2230	2355	2480	2290	2375	2540	mV
V _{OL}	Output LOW Voltage (Note 3.)	1365	1550	1615	1430	1570	1680	1490	1580	1740	mV

NOTE: 10EP circuits are designed to meet the DC specifications shown in the above table after thermal equilibrium has been established. The circuit is in a test socket or mounted on a printed circuit board and transverse airflow greater than 500lfpm is maintained.

1. V_{CC} = 3.3V, GND = 0V, all other pins floating.
2. All loading with 50 ohms to V_{CC}-2.0 volts.
3. Output parameters vary 1:1 with V_{CC}.

AC CHARACTERISTICS (V_{CC} = 3.3V ± 0.3V; GND = 0V)

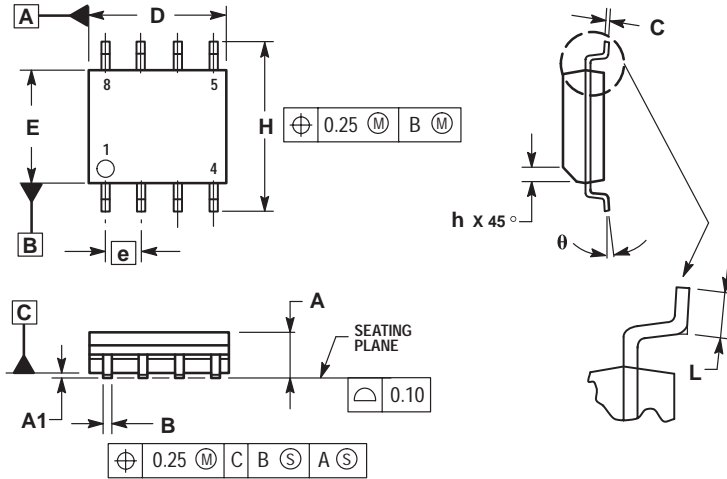
Symbol	Characteristic	-40°C			25°C			85°C			Unit
		Min	Typ	Max	Min	Typ	Max	Min	Typ	Max	
f _{max}	Maximum Toggle Frequency (Note 4.)		1000			1000			1000		MHz
t _{PLH} , t _{PHL}	Propagation Delay to Output Differential	150	350	600	150	370	600	150	380	600	ps
t _{JITTER}	Cycle-to-Cycle Jitter		TBD			TBD			TBD		ps
t _r t _f	Output Rise/Fall Times (20% - 80%) Q, \bar{Q}	50	100	180	60	120	200	70	140	220	ps

4. F_{max} guaranteed for functionality only. V_{OL} and V_{OH} levels are guaranteed at DC only.

MC10EPT20

PACKAGE DIMENSIONS

SO-8
D SUFFIX
PLASTIC SOIC PACKAGE
CASE 751-06
ISSUE T




NOTES:

1. DIMENSIONING AND TOLERANCING PER ASME Y14.5M, 1994.
2. DIMENSIONS ARE IN MILLIMETER.
3. DIMENSION D AND E DO NOT INCLUDE MOLD PROTRUSION.
4. MAXIMUM MOLD PROTRUSION 0.15 PER SIDE.
5. DIMENSION B DOES NOT INCLUDE DAMBAR PROTRUSION. ALLOWABLE DAMBAR PROTRUSION SHALL BE 0.127 TOTAL IN EXCESS OF THE B DIMENSION AT MAXIMUM MATERIAL CONDITION.

MILLIMETERS	
DIM	MIN MAX
A	1.35 1.75
A1	0.10 0.25
B	0.35 0.49
C	0.19 0.25
D	4.80 5.00
E	3.80 4.00
e	1.27 BSC
H	5.80 6.20
h	0.25 0.50
L	0.40 1.25
θ	0° 7°

MC10EPT20

ON Semiconductor and  are trademarks of Semiconductor Components Industries, LLC (SCILLC). SCILLC reserves the right to make changes without further notice to any products herein. SCILLC makes no warranty, representation or guarantee regarding the suitability of its products for any particular purpose, nor does SCILLC assume any liability arising out of the application or use of any product or circuit, and specifically disclaims any and all liability, including without limitation special, consequential or incidental damages. "Typical" parameters which may be provided in SCILLC data sheets and/or specifications can and do vary in different applications and actual performance may vary over time. All operating parameters, including "Typicals" must be validated for each customer application by customer's technical experts. SCILLC does not convey any license under its patent rights nor the rights of others. SCILLC products are not designed, intended, or authorized for use as components in systems intended for surgical implant into the body, or other applications intended to support or sustain life, or for any other application in which the failure of the SCILLC product could create a situation where personal injury or death may occur. Should Buyer purchase or use SCILLC products for any such unintended or unauthorized application, Buyer shall indemnify and hold SCILLC and its officers, employees, subsidiaries, affiliates, and distributors harmless against all claims, costs, damages, and expenses, and reasonable attorney fees arising out of, directly or indirectly, any claim of personal injury or death associated with such unintended or unauthorized use, even if such claim alleges that SCILLC was negligent regarding the design or manufacture of the part. SCILLC is an Equal Opportunity/Affirmative Action Employer.

PUBLICATION ORDERING INFORMATION

USA/EUROPE Literature Fulfillment:

Literature Distribution Center for ON Semiconductor
P.O. Box 5163, Denver, Colorado 80217 USA
Phone: 303-675-2175 or 800-344-3860 Toll Free USA/Canada
Fax: 303-675-2176 or 800-344-3867 Toll Free USA/Canada
Email: ONlit@hibbertco.com

Fax Response Line*: 303-675-2167
800-344-3810 Toll Free USA/Canada
*To receive a Fax of our publications

N. America Technical Support: 800-282-9855 Toll Free USA/Canada

ASIA/PACIFIC: LDC for ON Semiconductor – Asia Support

Phone: 303-675-2121 (Tue-Fri 9:00am to 1:00pm, Hong Kong Time)
Email: ONlit-asia@hibbertco.com

JAPAN: ON Semiconductor, Japan Customer Focus Center
4-32-1 Nishi-Gotanda, Shinagawa-ku, Tokyo, Japan 141-8549

Phone: 81-3-5487-8345
Email: r14153@onsemi.com

ON Semiconductor Website: <http://onsemi.com>

For additional information, please contact your local Sales Representative.

MC10EPT20/D