

10 BASE PULSE TRANSFORMER

P/N: TA250-TR2 DATA SHEET

A. GENERAL SPECIFICATIONS:

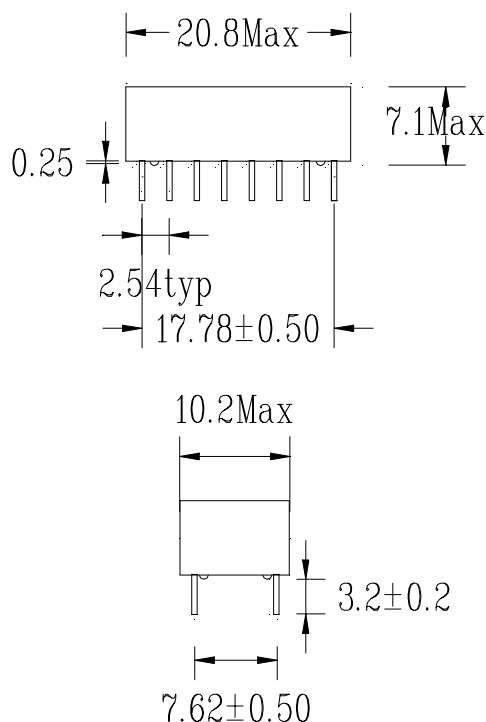
1. IEEE 802.3 (10 Base 2.10 Base 5) and ECMA COMPATIBLE;
2. LOW PROFILE PACKAGES 16 PIN PATTERN
3. LOW LEAKAGE INDUCTANCE AND WINDING CAPACITANCES FOR FAST RISE TIMES
4. MORE ECONOMICAL THAN DISCRETE TRANSFORMERS. FOUR TRANSFORMERS PER PACKAGE
5. HIGH ISOLATION VOLTAGES TO COMPLY WITH INTERNATIONAL SAFETY REQUIREMENTS FOR LAN (ECMA 97):

B. ELECTRICAL SPECIFICATIONS@25° C

1. ISOLATION: 500 Vrms
2. TURNS RATIO: 1:1:2:2 +/-3%
3. PRI. OCL: 225uH Min @ 100KHz/200mV
4. LEAKAGE INDUCTANCE: 0.3uH Max
5. PRI/SEC CW/W: 35pF Max
6. PRI. DCR: 0.8 OHM Max
7. COMMON MODE REJECTION RATIO (CMRR): -60dB Min
8. INSERTION LOSS: 0.5dB Max
9. RETURN LOSS: 20dB Min
10. RISE TIME: 5.0nS Max

C. SCHEMATICS & DIMENSIONS & MARKING (UNIT mm):

Tolerance : +/-0.25



PIN 1 DOT

