

10 BASE PULSE TRANSFORMER

P/N: TA250-06BJ DATA SHEET

A. GENERAL SPECIFICATIONS:

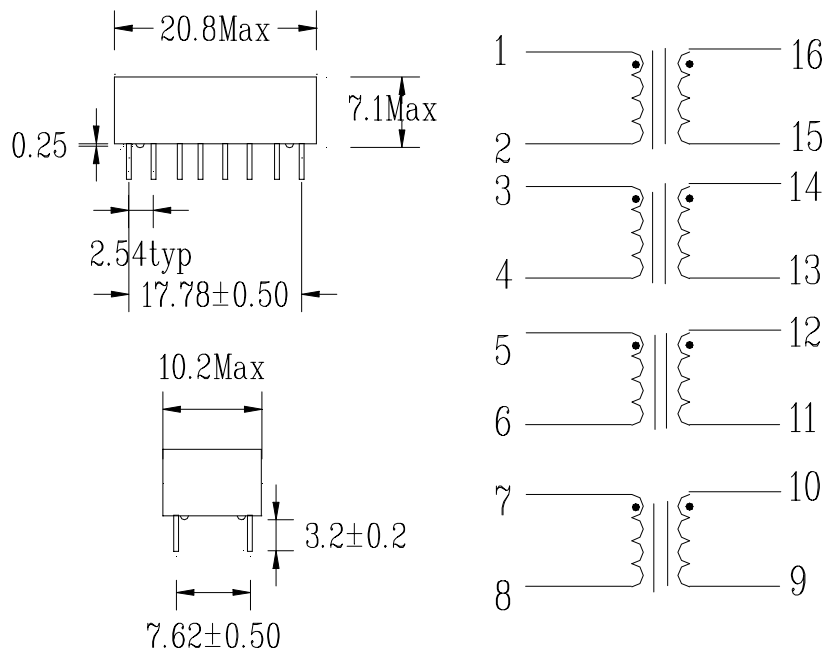
1. IEEE 802.3 (10 Base 2.10 Base 5) and ECMA COMPATIBLE
2. LOW PROFILE PACKAGES 16 PIN PATTERN
3. LOW LEAKAGE INDUCTANCE AND WINDING CAPACITANCES FOR FAST RISE TIMES
4. MORE ECONOMICAL THAN DISCRETE TRANSFORMERS, FOUR TRANSFORMERS PER PACKAGE
5. HIGH ISOLATION VOLTAGES TO COMPLY WITH INTERNATIONAL SAFETY REQUIREMENTS FOR LAN (ECMA 97):

B. ELECTRICAL SPECIFICATIONS @ 25°C

1. ISOLATION: 1000 Vrms
2. TURNS RATIO: 1.414: 1 +/- 3%
3. PRIMARY: 250uH +/- 20% @ 100KHz 200mVrms
4. CW/W: 15pF MAX. (PRI/SEC)
5. LEAKAGE INDUCTANCE: 0.5uH Max
6. SEC DC RESISTANCE: 0.3 OHM Max

C. SCHEMATICS & DIMENSIONS & MARKING (UNIT mm):

Primary pin 1-8



PIN 1 DOT