

Product Brief

SDA 9389X

“PIP IIIplus”

Single-Chip Picture in Picture IC
with Built-In Violence Blocking
Capability

The SDA 9389X integrates analog (clamping, ADC, DAC, RGB switch) and digital signal processing (color decoding, decimation, memory, output signal processing, data slicing etc.) on a single silicon.



SDA

Potential Application

The SDA 9389X “PIP IIIplus” is a cost-effective single-chip Picture in Picture IC that requires only a small amount of external components. It is suitable for the following applications:

- TVs for NTSC, PAL M and PAL N markets
- Display and surveillance equipment

Features

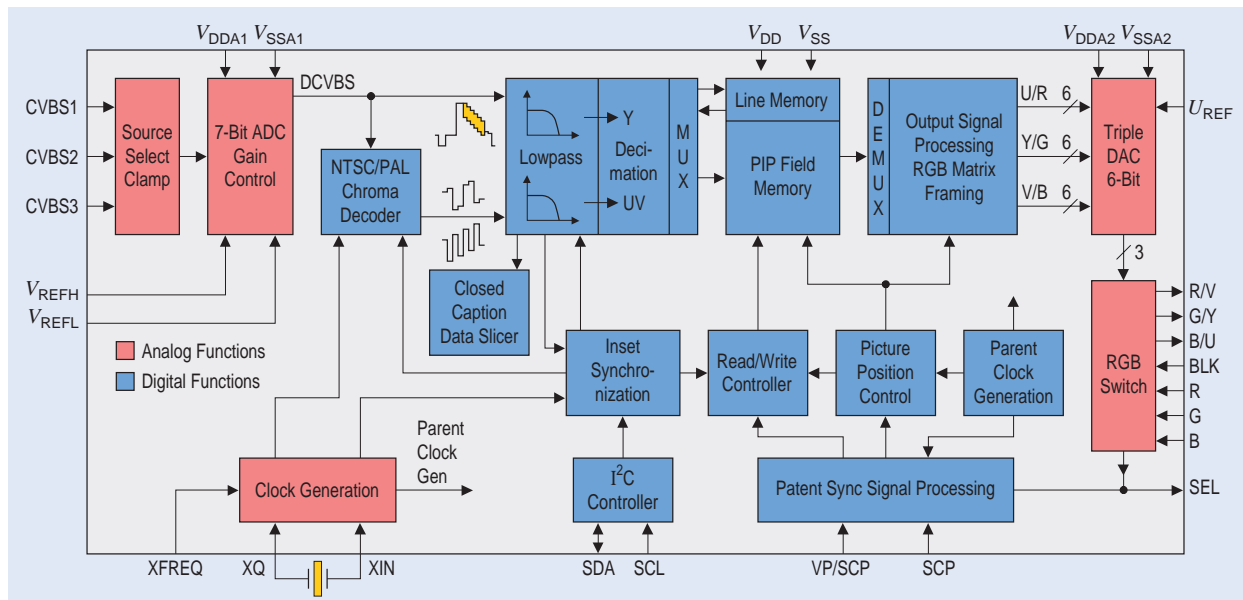
- Picture reduction to 1/9, 1/16 and 1/36 of original size
- Freely programmable positioning of PIP on the main picture as well as POP positioning
- PIP frame control including color, shape and width

- Format matching of PIP to 16:9 screen
- Digital signal processing for picture quality optimization
- Three CVBS inputs; analog YUV or RGB output
- Integrated high speed video switch for inserting an external RGB source onto the screen (i.e. OSD)
- Acquisition and filtering of closed caption data to achieve violence blocking
- Display on VGA screen possible
- I²C-Bus control
- Full HW and SW compatibility to SDA 9388X
- Compatibility to PIP IV
- 0.5 μm CMOS technology
- P-DSO-28 package

Documentation and Support Package

- Data sheet
- Technical articles
- PIP module and interface board for evaluation
- SIMON Software for Windows based PC to control evaluation boards via I²C Bus
- SIMON interface module
- Auto demo package for demonstration

SDA 9389X Block Diagram



The SDA 9389X integrates different functional blocks on a single chip

- Signal clamping and 7-Bit AD Converter
- NTSC/PAL M/ PAL N Chroma decoder
- Data slicer
- Decimation logic
- 72-Kbit field memory
- Output signal processing, e.g. peaking
- Triple 6-Bit DA Converter
- RGB Switch
- SYNC processing/generation and memory control logic

Availability

Samples of the SDA 9389X are available for evaluation with complete documentation. Infineon Technologies' highly experienced engineering support team as well as our worldwide FAE network can assist you with your design in work. Please contact your local Infineon Technologies office for further details.

How to reach us:

<http://www.infineon.com>

Published by Infineon Technologies AG, Bereich Kommunikation, St.-Martin-Strasse 53, D-81541 München © Infineon Technologies AG 1999 All Rights Reserved.

Attention please!

The information herein is given to describe certain components and shall not be considered as warranted characteristics.

Terms of delivery and rights to technical change reserved.

We hereby disclaim any and all warranties, including but not limited to warranties of non-infringement, regarding circuits, descriptions and charts stated herein.

Infineon Technologies is an approved CECC manufacturer.

Information

For further information on technology, delivery terms and conditions and prices please contact your nearest Infineon Technologies Office in Germany or our Infineon Technologies Representatives worldwide (see address list).

Warnings

Due to technical requirements components may contain dangerous substances. For information on the types in question please contact your nearest Infineon Technologies Office.

Infineon Technologies Components may only be used in life-support devices or systems with the express written approval of Infineon Technologies, if a failure of such components can reasonably be expected to cause the failure of that life-support device or system, or to affect the safety or effectiveness of that device or system. Life support devices or systems are intended to be implanted in the human body, or to support and/or maintain and sustain and/or protect human life. If they fail, it is reasonable to assume that the health of the user or other persons may be endangered.

SDA 9389X Application Example

