

SOLID STATE DEVICES, INC.

14005 Stage Road * Santa Fe Springs, Ca 90670
 Phone: (562) 404-4474 * Fax: (562) 404-1773

Designer's Data Sheet

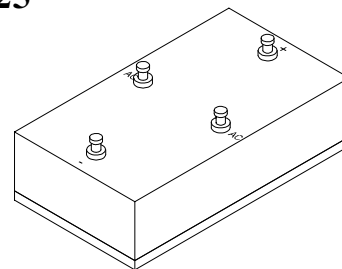
FEATURES:

- **Ultra Fast Recovery: 70 nsec Maximum**
- **3000 V Blocking Voltage**
- **5000 V Dielectric Voltage**
- **Average Output Current 10 Amps**
- **Low Reverse Leakage Current**
- **Glass Passivated Rectifiers**
- **Hermetically Sealed Discretes**
- **Aluminum Base for Maximum Thermal Conductivity**
- **TX and TXV Level Screening Available**

SDA25-3UF

**10 AMPS
 70 nsec
 ULTRA FAST RECOVERY
 SINGLE PHASE BRIDGE
 ASSEMBLY**

SDA25



Maximum Ratings	SYMBOL	VALUE	UNITS
Peak Repetitive Reverse and DC Blocking Voltage	V_{RRM} V_{RWM} V_R	3000	Volts
Average Rectified Forward Current (Resistive load, 60Hz, Sine Wave, $T_A = 25^\circ\text{C}$, No Heatsink)	I_o	10	Amps
Peak Surge Current (8.3 ms Pulse, Half Sine Wave, $T_A = 25^\circ\text{C}$, per leg)	I_{FSM}	75	Amps
Operating and Storage Temperature	$T_{OP} \ \& \ T_{stg}$	-55 TO +150	$^\circ\text{C}$
Maximum Thermal Resistance Junction to Case	θ_{JC}	1.5	$^\circ\text{C/W}$

NOTE: All specifications are subject to change without notification. SCD's for these devices should be reviewed by SSDI prior to release.

DATA SHEET # : RA0004C

SDA25-3UF

PRELIMINARY



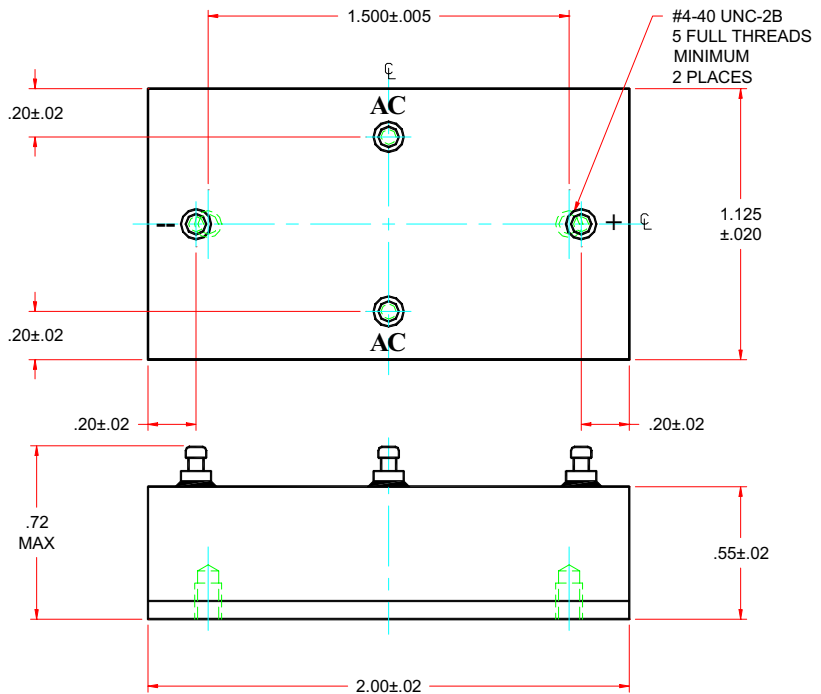
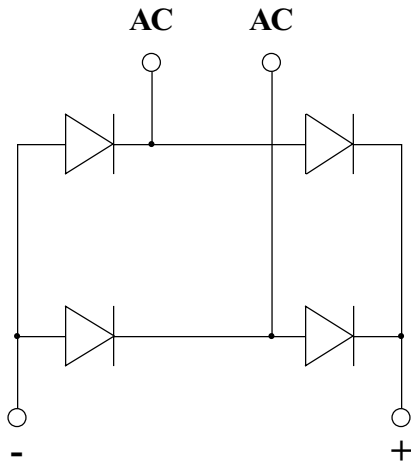
SOLID STATE DEVICES, INC.

14005 Stage Road * Santa Fe Springs, Ca 90670
Phone: (562) 404-4474 * Fax: (562) 404-1773

Electrical Characteristics ^{1/} (per leg)	SYMBOL	VALUE	UNITS
Instantaneous Forward Voltage Drop ($I_F = 3A$, 300 - 500 μ sec pulse)	V_{F1}	6.0	Vdc
Reverse Leakage Current (Rated V_R , 300 μ s pulse minimum)	I_{R1}	5	μ A
Reverse Leakage Current (Rated V_R , $T_A = 100^\circ C$, 300 μ s pulse minimum)	I_{R2}	0.5	mA
Reverse Recovery Time ($I_F = 0.5A$, $I_R = 1.0A$, $I_{RR} = 0.25A$)	t_{RR}	70	nsec

^{1/} $T_A = 25^\circ C$, Unless otherwise specified

CASE OUTLINE: SDA25



TEMPERATURE DERATING CURVE

