



Solid State Devices, Inc.

14830 Valley View Blvd * La Mirada, Ca 90638
Phone: (562) 404-7855 * Fax: (562) 404-1773
ssdi@ssdi-power.com * www.ssdi-power.com

DESIGNER'S DATA SHEET

Part Number / Ordering Information ^{1/}

SDA195

- ┌ ┌ **Lead Bend ^{3/}** ─ = Straight Leads
 UB = Up Bend
 DB = Down Bend
- ┌ **Terminals ^{2/ 3/}** L = Copper Leads
 _ = Turret Terminals

SDA195

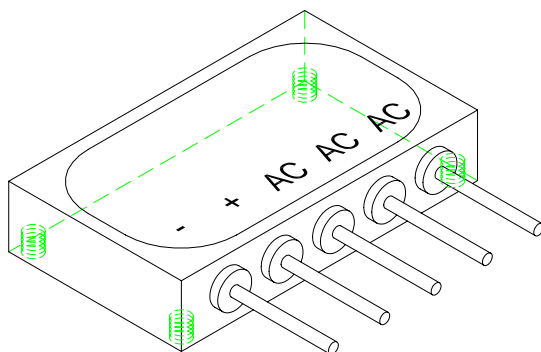
**30A / 100V
THREE PHASE BRIDGE
RECTIFIER ASSEMBLY**

Features:

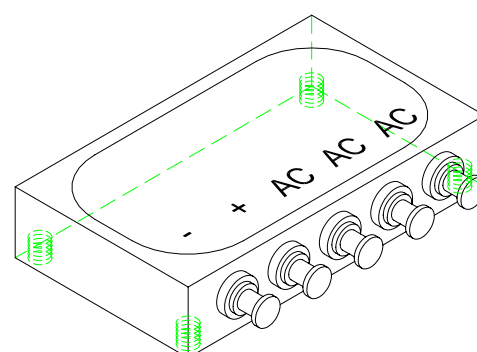
- Higher Blocking Voltage available. Contact Factory
- Average Output Current 30 Amps
- Low Reverse Leakage Current
- Constructed with Void-free, Hermetically Sealed Discretes
- Aluminum Case for Maximum Thermal Conductivity
- Small Package Size (1.500 x 0.870 x 0.30 Max")
- TX and TXV & S Level Screening Available
- Fast, Ultra Fast, & Hyper Fast versions available. Contact Factory

Maximum Ratings	Symbol	Value	Units
Peak Repetitive and Peak Surge Reverse Voltage	V_{RRM} V_{RSM} V_R	100	Volts
Average Rectified Forward Current ^{4/} (Resistive Load, 60 hz Sine Wave, $T_C = 55^\circ\text{C}$)	I_o	30	Amps
Peak Surge Current (8.3 ms Pulse, Half Sine Wave, $T_A = 25^\circ\text{C}$, per leg)	I_{FSM}	200	Amps
Operating & Storage Temperature	Top & Tstg	-55 to +150	$^\circ\text{C}$
Maximum Thermal Resistance Junction to Case	$R_{\theta JC}$	2.3	$^\circ\text{C/W}$

SDA195 (L)



SDA195 (_)



NOTE: All specifications are subject to change without notification. SCD's for these devices should be reviewed by SSDI prior to release.

DATA SHEET #: RA0043B

www.DataSheet4U.com **DOC**



Solid State Devices, Inc.

14830 Valley View Blvd * La Mirada, Ca 90638
 Phone: (562) 404-7855 * Fax: (562) 404-1773
 ssdi@ssdi-power.com * www.ssdi-power.com

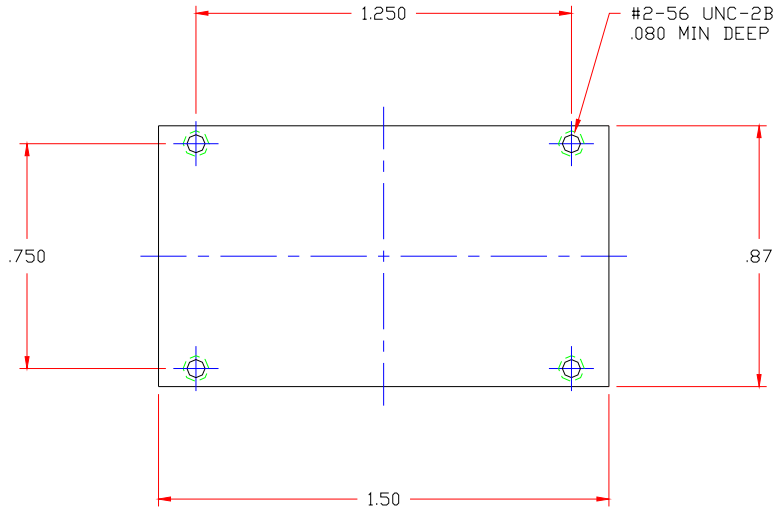
SDA195 Series

Electrical Characteristic ^{5/}	Symbol	Min	Typ	Max	Units
Instantaneous Forward Voltage Drop (T _A = 25°C, 300 - 500 µsec pulse)	V_{FI}	—	—	1.05	V _{DC}
Reverse Leakage Current (Rated V _R , T _A = 25°C, 300 µsec pulse minimum)	I_{R1}	—	—	25	µA
Reverse Leakage Current (Rated V _R , T _A = 100°C, 300 µsec pulse minimum)	I_{R2}	—	—	500	µA

NOTES:

- * Pulse Test: Pulse Width = 300µsec, Duty Cycle = 2%
- 1/ For Ordering Information, Price, and Availability Contact Factory.
- 2/ For Package Outlines Contact Factory.
- 3/ Up and Down Bend Configurations are Available for ‘_’ (Leaded) Packages Only.
- 4/ Derate Linearly at 0.28A/°C for T_C > 55°C.
- 5/ Unless Otherwise Specified, All Electrical Characteristics @25°C.

Mounting Diagram: ^{2/}



Tolerances:

(Unless Otherwise Specified)
 .XX: ±0.02”
 .XXX: ±0.005”