



Spec. No.	PS-DT-S30321M
Rev.	A

# PRODUCT SPECIFICATION

**Model No:CSDT-S30321M**

Descriptions:
<ul style="list-style-type: none"> <li>■ 0.3 Inch Triad Digit SMD Display</li> <li>■ Common Cathode</li> <li>■ Emitting Color : Super Bright Yellow Green</li> <li>■ Gray Face</li> <li>■ White Segment</li> </ul>



CUSTOMER APPROVED	APPROVED BY	CHECKED BY	PREPARED BY
SIGNATURES			

**CHINA SEMICONDUCTOR CORPORATION**  
Address:2FL. NO.909,Chung-Cheng Road,  
Chung-Ho City Taipei Hsien,Taiwan.

Tel:886-2-2223-9696  
Fax:886-2-2223-9377

**OPTO PLUS TECHNOLOGIES CO.,LTD**  
Address:696 Shun jiang Rd.,Shaoxing,  
ZheJiang,China

Tel:86-0575-88623888  
Fax:86-0575-88623112



**Model No: CSDT-S30321M**

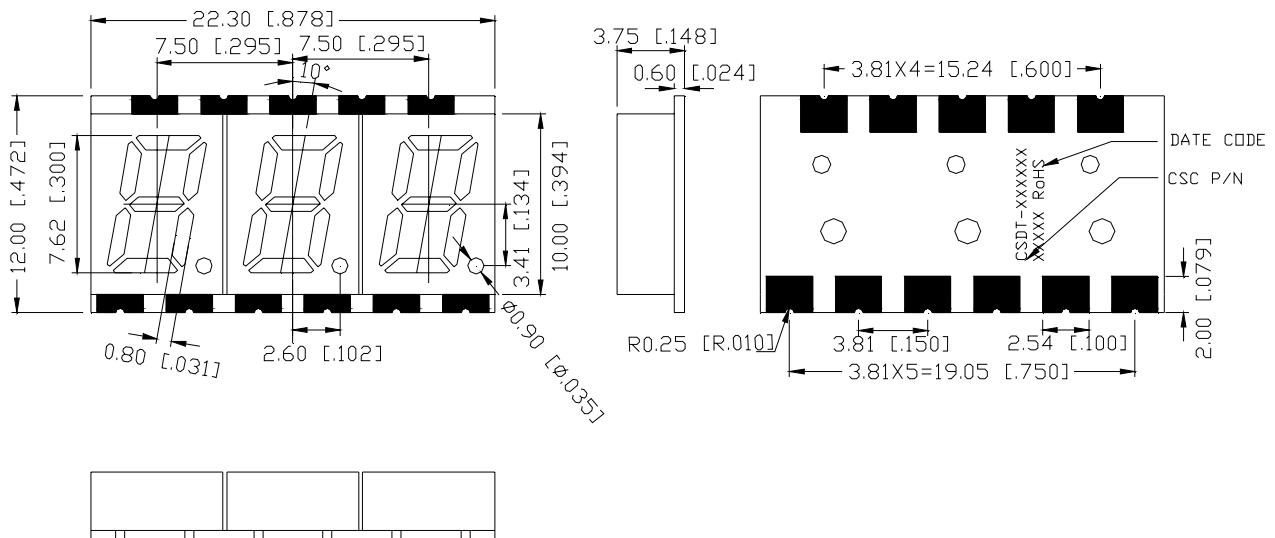
**Features -**

1. 0.3 inch (7.62mm) digit height.
2. Qualified according to JEDEC moisture sensitivity Level 2a.
3. RoHS compliant.
4. Low power consumption.
5. Standard: gray face, white segment.
6. Easy mounting on P.C. board .

**Device Selection Guide -**

Model No.	Chip		Description
	Material	Emitting Color	
CSDT-S30321M	AlGaInP	Super Bright Yellow Green	Common Cathode

**Mechanical Dimensions -**



**Notes:**

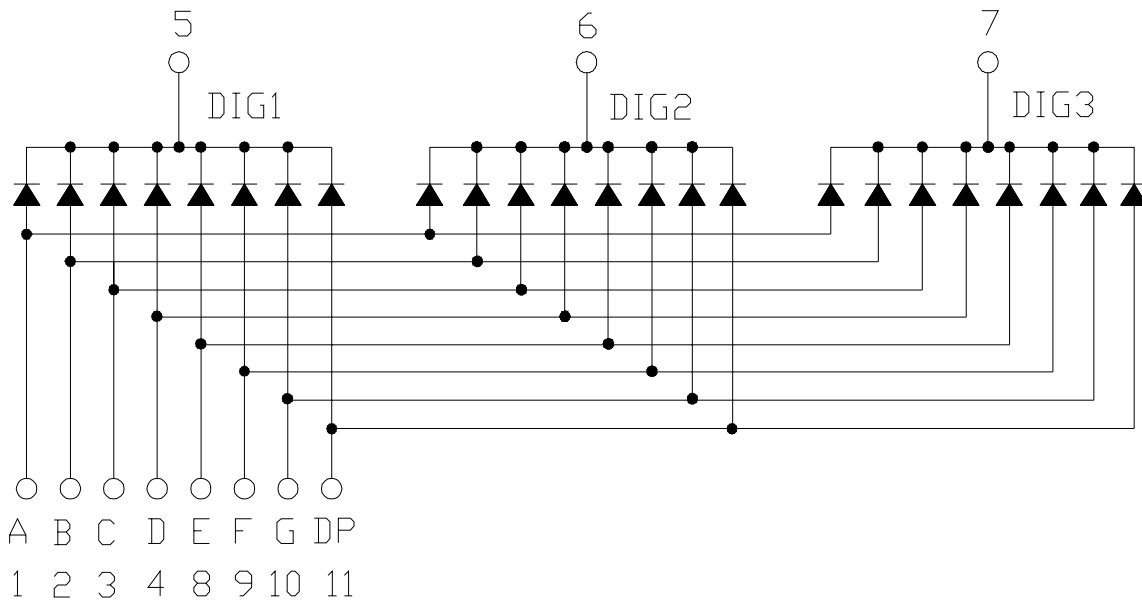
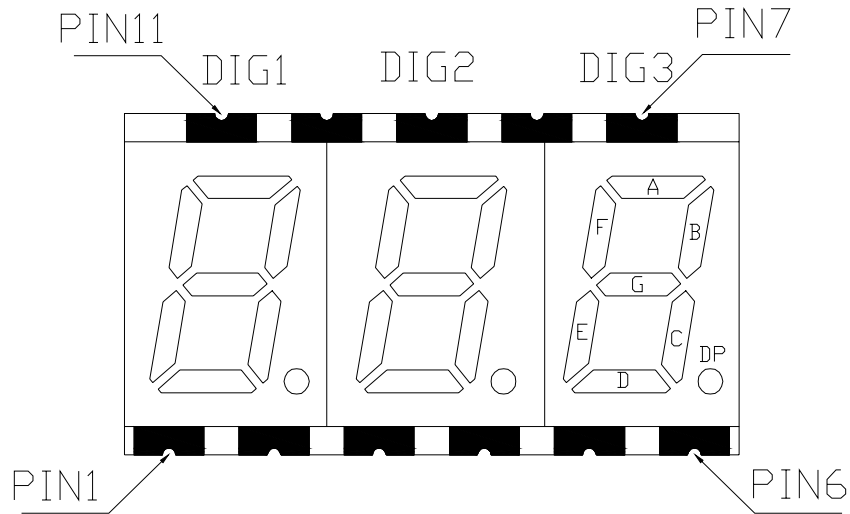
1. Dimension in millimeter [inch], and tolerance is  $\pm 0.25$  [0.010] unless otherwise noted
2. Bending  $\leq$  Length \* 1%.



Spec. No.	PS-DT-S30321M
Rev.	A

Model No: CSDT-S30321M

Internal Circuit Diagrams -





Model No: CSDT-S30321M

■ Absolute Maximum Rating -

(Ta=25°C)

Parameter	Symbol	Rating	Unit
Power Dissipation Per Dice	P <sub>AD</sub>	70	mW
Continuous Forward Current Per Dice	I <sub>AF</sub>	25	mA
Peak Current Per Dice(duty cycle 1/10,1KHz)	I <sub>PF</sub>	90	mA
Derating Linear From 25°C Per Dice	-	0.33	mA/°C
Reverse Voltage Per Dice	V <sub>R</sub>	5	V
Operating Temp.	T <sub>opr</sub>	-40 ~ +105	°C
Storage Temp.	T <sub>stg</sub>	-40 ~ +105	°C

■ Electro-optical Characteristics -

(Ta=25°C)

Parameter	Symbol	Min.	Typ.	Max.	Unit	Condition
Forward Voltage Per Segment	V <sub>F</sub>	-	2.1	2.8	V	IF=20mA
Luminous Intensity Per Segment	I <sub>v</sub>	1.5	3.8	-	mcd	IF=10mA
Peak Emission Wavelength	λ <sub>P</sub>	-	572	-	nm	IF=20mA
Dominant Wavelength	λ <sub>d</sub>	-	570	-	nm	IF=20mA
Spectrum Radiation Bandwidth	Δλ	-	20	-	nm	IF=20mA
Reverse Current	I <sub>R</sub>	-	-	100	μA	V <sub>R</sub> =5V
Luminous Intensity Matching Ratio	I <sub>V-m</sub>	-	-	2:1	-	IF=10mA



Model No: CSDT-S30321M

■ Typical Electrical / Optical Characteristics Curves -

(Ta = 25°C Unless Otherwise Noted)

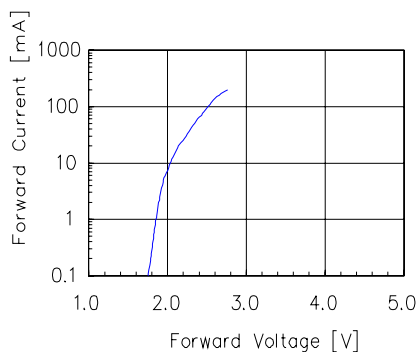


Fig 1. Forward Current vs. Forward Voltage

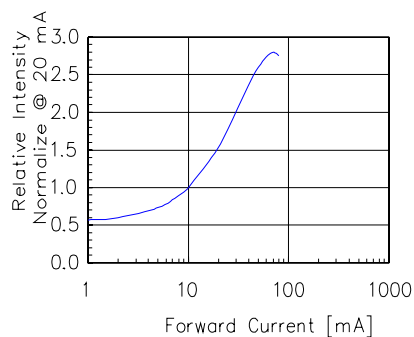


Fig 2. Relative Intensity vs. Forward Current

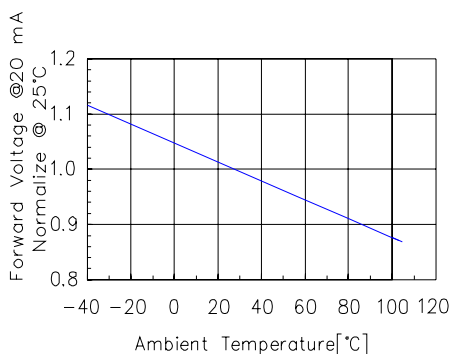


Fig 3. Forward Voltage vs. Temperature

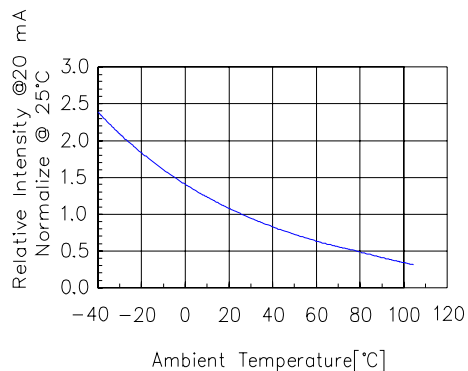


Fig 4. Relative Intensity vs. Temperature

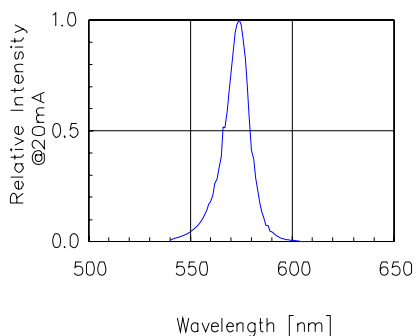


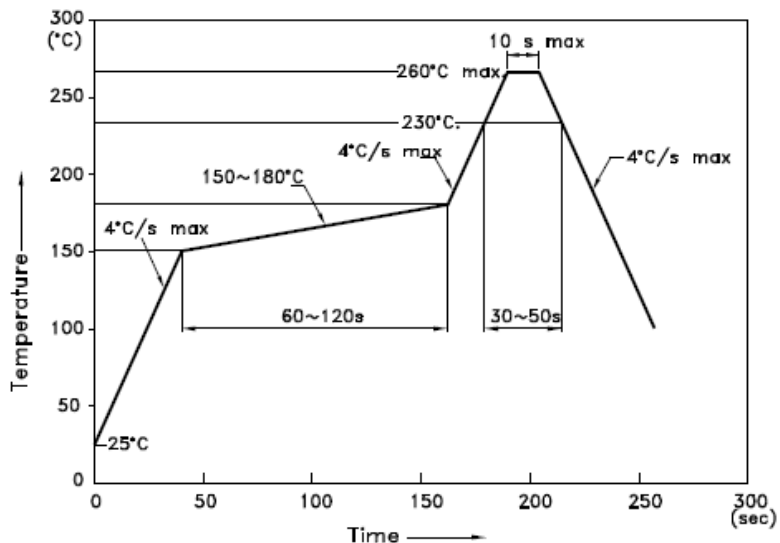
Fig 5. Relative Intensity vs. Wavelength



Model No: CSDT-S30321M

## SMT REFLOW SOLDERING INSTRUCTIONS

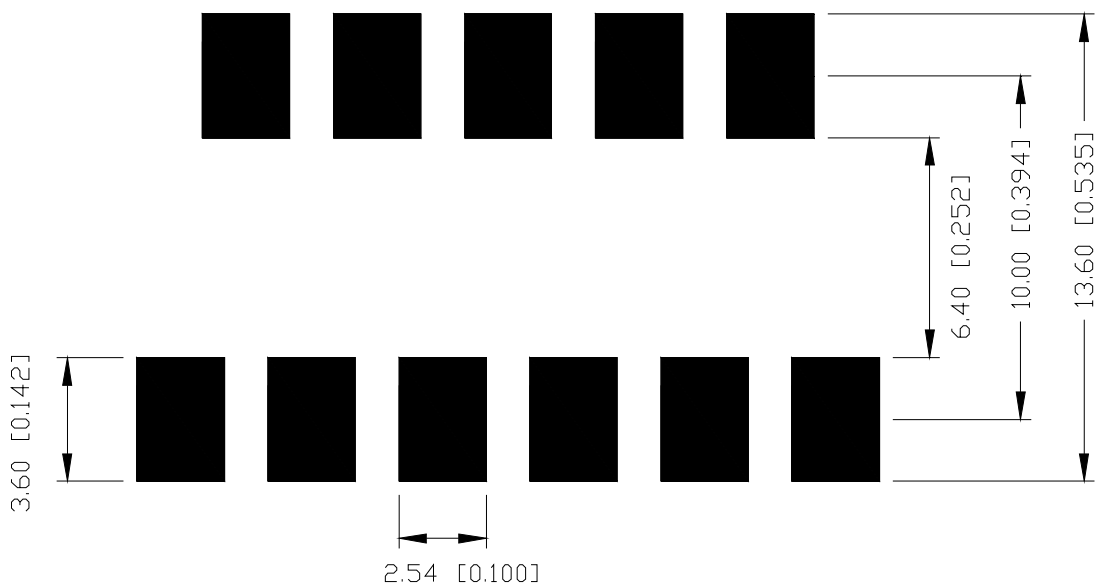
### IR Reflow Temperature / Time :



#### NOTES:

1. We recommend the reflow temperature 245°C(+/-5°C). The maximum soldering temperature should be limited to 260°C.
2. Don't cause stress to the epoxy resin while it is exposed to high temperature.
3. Number of reflow process shall be 2 times or less.

### Soldering Pad Size

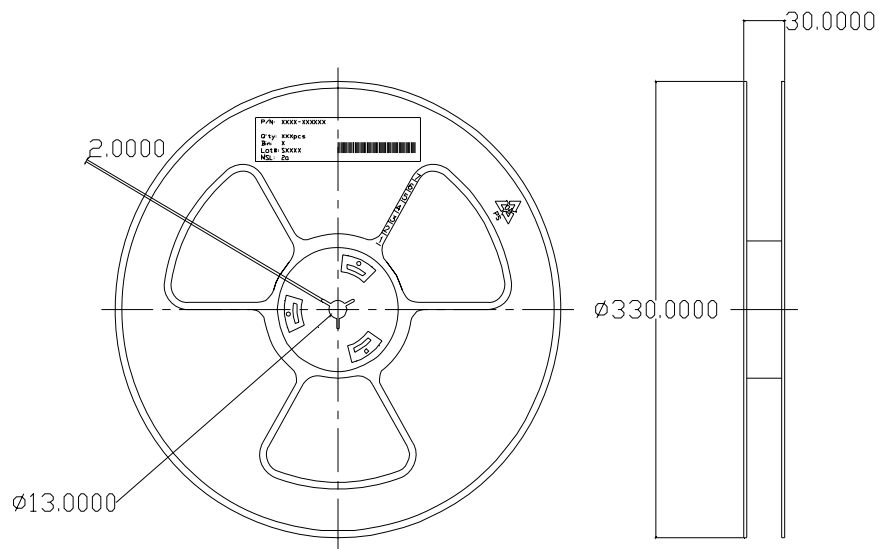




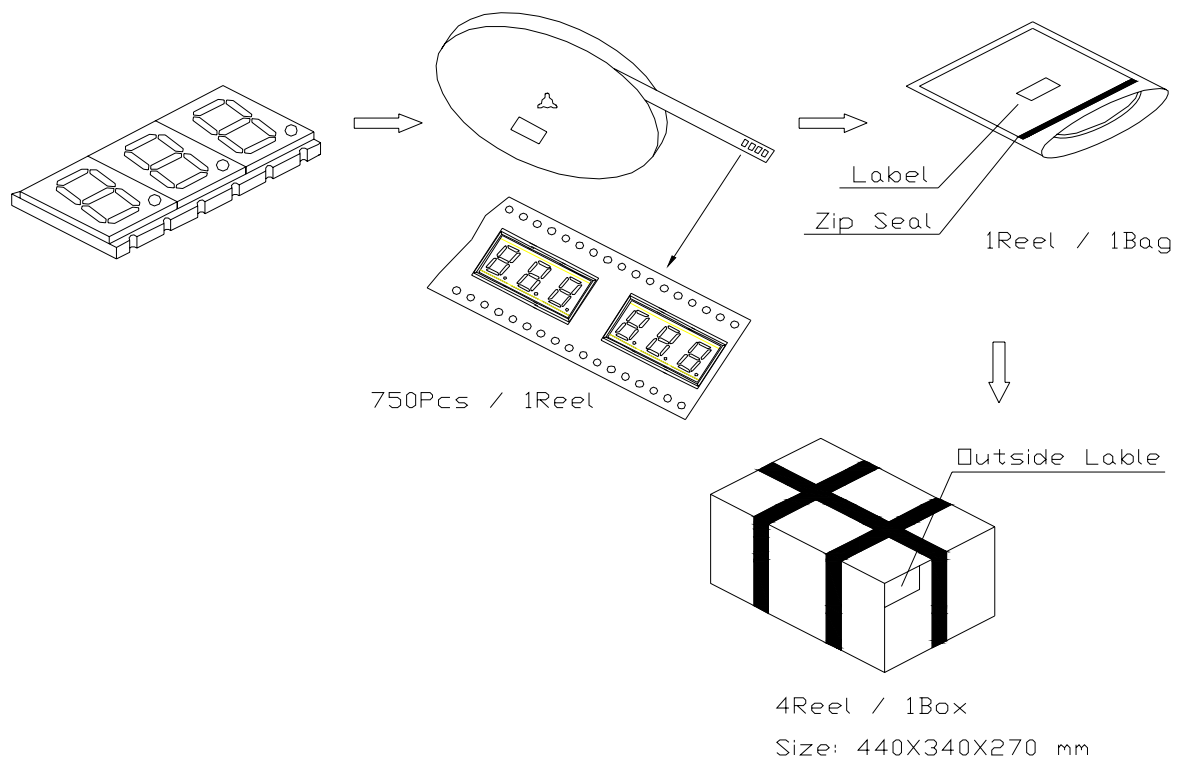
Spec. No.	PS-DT-S30321M
Rev.	A

Model No: CSDT-S30321M

### REEL DIMENSIONS



### PACKING & LABEL SPECIFICATIONS



Note: The specifications are subject to change without notice. Please contact us for updated information