

# Video signal switcher

## BA7649A / BA7649AF

The BA7649A and BA7649AF are five-channel analog multiplexers (the IN5 pin can be used a mute input) designed for use in video cassette recorders. They feature large dynamic range, and wide operating frequency range, and have sync-tip inputs which are ideal for switching video signals.

### ●Applications

Video cassette recorders and televisions

### ●Features

- 1) 5-input / 1-output switches.
- 2) Built-in mute (the IN5 pin can be use a mute input).
- 3) Sync-tip clamp inputs.
- 4) Wide operating supply voltage range (4.5V to 13.0V).
- 5) Low power consumption (48mW Typ.).
- 6) Excellent frequency characteristics (10MHz, 0dB Typ.).
- 7) Wide dynamic range (3.5V<sub>P-P</sub> Typ.).
- 8) Low interchannel crosstalk (– 65dB Typ., f = 4.43MHz).
- 9) DIP / SOP 14 pin package.

### ●Absolute maximum ratings (Ta = 25°C)

#### BA7649A

Parameter	Symbol	Limits	Unit
Power supply voltage	V <sub>cc</sub>	13.5	V
Allowable current	P <sub>d</sub>	1100*	mW
Operating temperature	T <sub>opr</sub>	– 25 ~ + 75	°C
Storage temperature	T <sub>stg</sub>	– 55 ~ + 125	°C

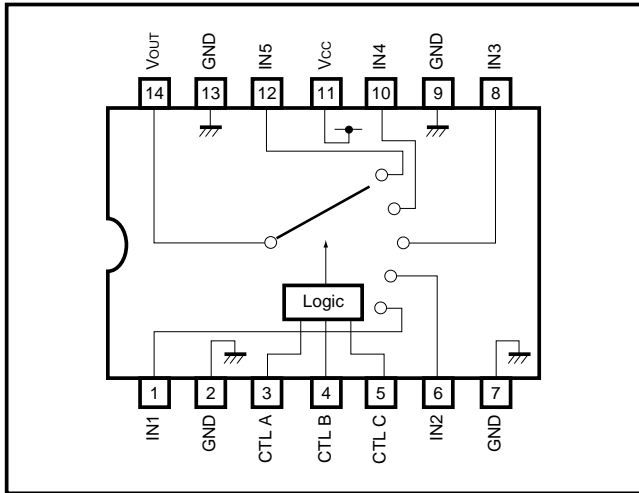
\* Reduced by 11.0mW for each increase in Ta of 1°C over 25°C.

#### BA7649AF

Parameter	Symbol	Limits	Unit
Power supply voltage	V <sub>cc</sub>	13.5	V
Allowable current	P <sub>d</sub>	450*	mW
Operating temperature	T <sub>opr</sub>	– 25 ~ + 75	°C
Storage temperature	T <sub>stg</sub>	– 55 ~ + 125	°C

\* Reduced by 4.5mW for each increase in Ta of 1°C over 25°C when mounted on a 50mm × 50mm PCB board.

●Block diagram



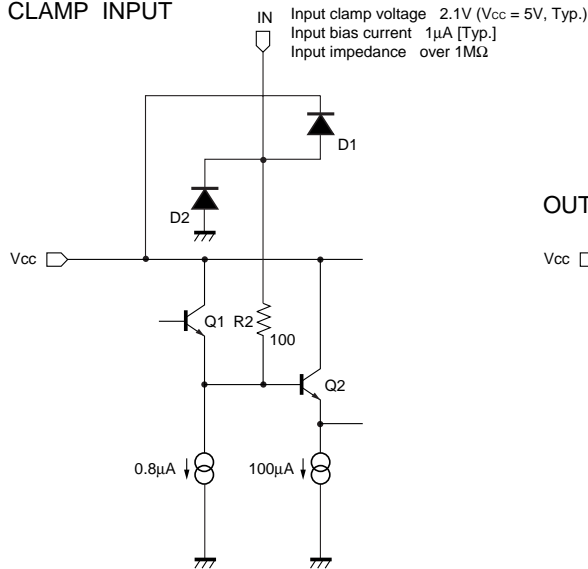
●Truth table

CTLA	CTLB	CTLC	OUT
L (OPEN)	L (OPEN)	L (OPEN)	IN1
L (OPEN)	H	L (OPEN)	IN2
H	L (OPEN)	L (OPEN)	IN3
H	H	L (OPEN)	IN4
*	*	H	MUTE (IN5)

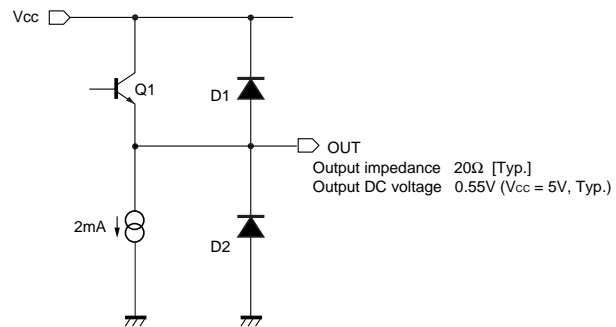
\* Either "L (open)" or "H".

●Equivalent circuits

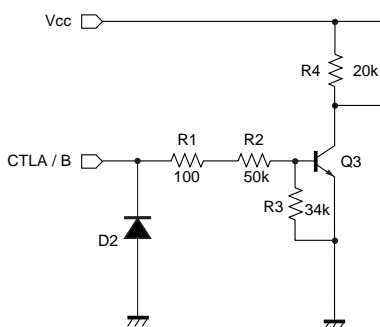
CLAMP INPUT



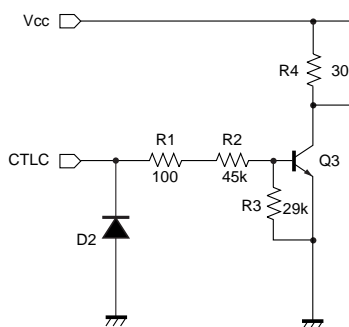
OUTPUT



CTLA / CTLB



CTLC



●Electrical characteristics (unless otherwise noted, Ta = 25°C and VCC = 5V)

Parameter	Symbol	Min.	Typ.	Max.	Unit	Conditions
Operating voltage	V <sub>CC</sub>	4.5	—	13.0	V	—
Supply current	I <sub>CC</sub>	—	9.5	14.5	mA	—
Maximum output level	V <sub>om</sub>	3.0	3.5	—	V <sub>P-P</sub>	f = 1kHz, THD = 0.5%
Voltage gain	G <sub>v</sub>	- 0.5	0	0.5	dB	f = 1MHz, V <sub>IN</sub> = 1.0V <sub>P-P</sub>
Interchannel crosstalk	C <sub>T</sub>	—	- 65	—	dB	f = 4.43MHz, V <sub>IN</sub> = 1.0V <sub>P-P</sub>
Frequency characteristics	G <sub>f</sub>	- 3.0	0	1.0	dB	f = 10MHz / 1MHz, V <sub>IN</sub> = 1.0V <sub>P-P</sub>
CTL pin switching level A	V <sub>TH-A</sub>	1.0	2.0	3.0	V	—
CTL pin switching level B	V <sub>TH-B</sub>	1.0	2.0	3.0	V	—
CTL pin switching level C	V <sub>TH-C</sub>	1.0	2.0	3.0	V	—

○Not designed for radiation resistance.

●Measurement circuit

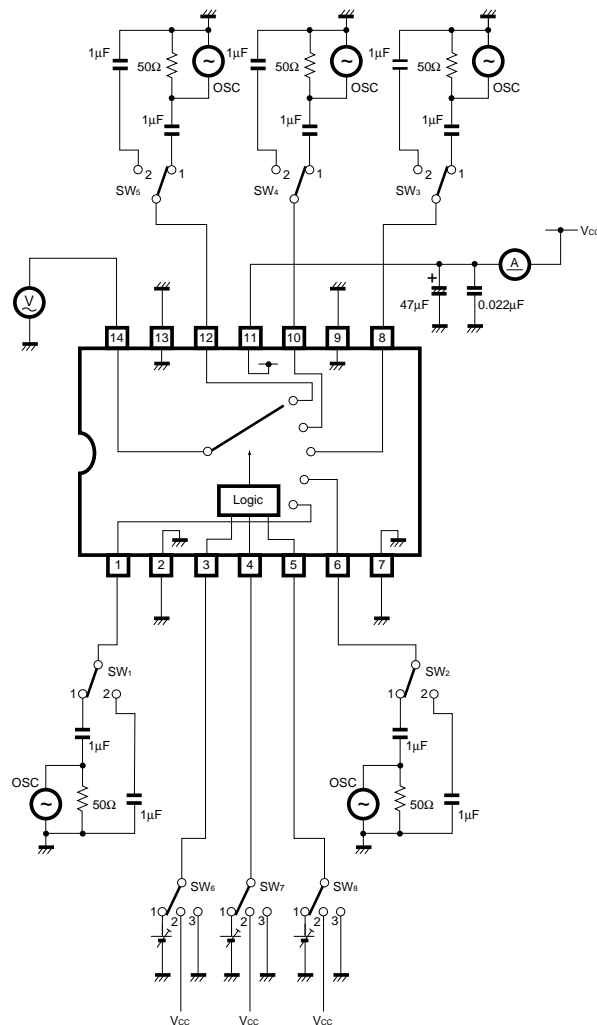


Fig. 1

● Measurement conditions

Parameter		Symbol	Switch settings								Measurement method
			SW <sub>1</sub>	SW <sub>2</sub>	SW <sub>3</sub>	SW <sub>4</sub>	SW <sub>5</sub>	SW <sub>6</sub>	SW <sub>7</sub>	SW <sub>8</sub>	
Current dissipation		I <sub>CC</sub>	2	2	2	2	2	3	3	3	Ammeter
Maximum output level	IN 1	V <sub>om</sub>	1	2	2	2	2	3	3	3	f = 1kHz, THD = 0.5% Note 1
	IN 2	V <sub>om</sub>	2	1	2	2	2	3	2	3	
	IN 3	V <sub>om</sub>	2	2	1	2	2	2	3	3	
	IN 4	V <sub>om</sub>	2	2	2	1	2	2	2	3	
	IN 5	V <sub>om</sub>	2	2	2	2	1	*	*	2	
Voltage gain	IN 1	G <sub>V</sub>	1	2	2	2	2	3	3	3	f = 1MHz, V <sub>IN</sub> = 1V <sub>P-P</sub> Note 2
	IN 2	G <sub>V</sub>	2	1	2	2	2	3	2	3	
	IN 3	G <sub>V</sub>	2	2	1	2	2	2	3	3	
	IN 4	G <sub>V</sub>	2	2	2	1	2	2	2	3	
	IN 5	G <sub>V</sub>	2	2	2	2	1	*	*	2	
Interchannel crosstalk	IN1→1N2	C <sub>T</sub>	1	2	2	2	2	3	2	3	f = 4.43MHz, V <sub>IN</sub> = 1V <sub>P-P</sub> Note 3
	IN1→1N3	C <sub>T</sub>	1	2	2	2	2	2	3	3	
	IN1→1N4	C <sub>T</sub>	1	2	2	2	2	2	2	3	
	IN1→1N5	C <sub>T</sub>	1	2	2	2	2	*	*	2	
	IN2→1N3	C <sub>T</sub>	2	1	2	2	2	2	3	3	
	IN2→1N4	C <sub>T</sub>	2	1	2	2	2	2	2	3	
	IN2→1N5	C <sub>T</sub>	2	1	2	2	2	*	*	2	
	IN3→1N4	C <sub>T</sub>	2	2	1	2	2	2	2	3	
	IN3→1N5	C <sub>T</sub>	2	2	1	2	2	*	*	2	
Frequency characteristic	IN 1	G <sub>f</sub>	1	2	2	2	2	3	3	3	f = 10MHz, f = 1MHz, V <sub>IN</sub> = 1V <sub>P-P</sub> Note 4
	IN 2	G <sub>f</sub>	2	1	2	2	2	3	2	3	
	IN 3	G <sub>f</sub>	2	2	1	2	2	2	3	3	
	IN 4	G <sub>f</sub>	2	2	2	1	2	2	2	3	
	IN 5	G <sub>f</sub>	2	2	2	2	1	*	*	2	
CTL pin switching level	CTLA	V <sub>TH</sub>	2	2	1	2	2	1	3	3	Note 5
	CTLB	V <sub>TH</sub>	2	1	2	2	2	3	1	3	
	CTLC	V <sub>TH</sub>	2	2	2	2	1	*	*	1	

\* Anywhere is possible.

Note 1: Connect a distortion meter to the output, and input a f = 1kHz sine wave. Adjust the output level until the output distortion is 0.5%. This output voltage at this time is the maximum output level V<sub>om</sub> (V<sub>P-P</sub>).

Note 2: Input a 1V<sub>P-P</sub>, 1MHz sine wave. The voltage gain is given by G<sub>V</sub> = 20 log (V<sub>OUT</sub> / V<sub>IN</sub>).

Note 3: Input a 1V<sub>P-P</sub>, 4.43MHz sine wave. The interchannel crosstalk is given by C<sub>T</sub> = 20 log (V<sub>OUT</sub> / V<sub>IN</sub>).

Note 4: Input 1V<sub>P-P</sub>, 1MHz and 10MHz sine waves. The frequency characteristic is given by G<sub>f</sub> = 20 log (V<sub>OUT</sub> (f = 10MHz) / V<sub>OUT</sub> (f = 1MHz)).

Note 5: Input a 1V<sub>P-P</sub>, 1MHz sine wave. Reduce the CTL pin voltage from V<sub>CC</sub>.

The CTL pin switching level (V<sub>TH</sub>) is the CTL pin voltage at which the V<sub>OUT</sub> level drops below 20mV<sub>P-P</sub>.

● Electrical characteristic curves

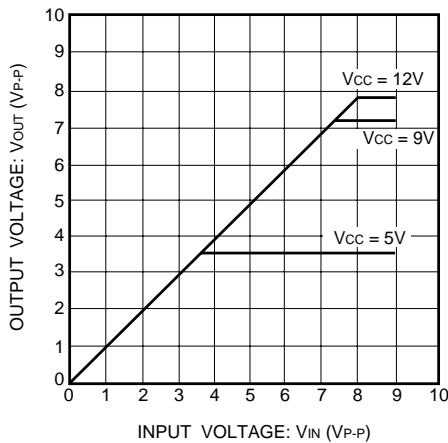


Fig. 2 V<sub>IN</sub> vs. V<sub>OUT</sub> (f = 1kHz)

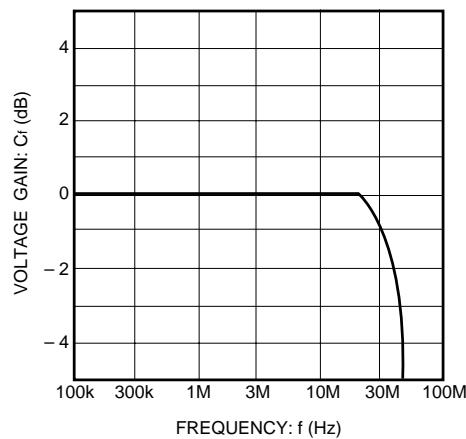


Fig. 3 Frequency characteristics

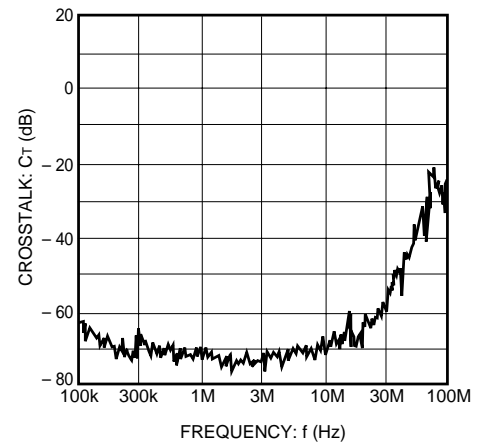


Fig. 4 Interchannel crosstalk

●External dimensions (Units: mm)

