



Features

- High Thermal Efficiency
- Complete Power Control Circuits in a Single Package

DESCRIPTION

These modules provide complete power control in a single package, utilizing high thermal efficiency to assure long life and reliable performance. Three standard models provide 2500 Vrms isolation from all terminals to ceramic base and are UL recognition pending.

PART NUMBER IDENTIFICATION

Ex.: CSD35/16

| Series Type | Circuit Type | Current | Voltage |
|---------------|-------------------------------------|------------------------------|--|
| CS-Case style | B - Single phase D - Three phase | 35 - 35 Amps 25 - 25 Amps | 06 - 600 08 - 800 10 - 1000 12 - 1200 14 - 1400 16 - 1600 |

ELECTRICAL SPECIFICATIONS

| SYMBOL | SPECIFICATION | RATINGS | |
|-------------------|--|--|------------------|
| I _D | Maximum DC Output Current (T _c = 85°C) | 25 Amps | 35 Amps |
| V _F | Maximum Voltage Drop @ Amps Peak | 1.1V @ IF=12.5A | 1.05V @ IF=17.5A |
| T _J | Operating Junction Temperature Range | -40°C to +125°C | |
| di/dt | Critical Rate of Rise of On-State Current @ T _J =125°C | 100A/μs | |
| dv/dt | Critical Rate of Rise of Off-State Voltage [V/μs] | 1000V/μs | |
| V _{RRM} | Repetitive Peak Reverse Voltage (AC Line) | 600 (240 Vac) 800 (280 Vac) 1000 (380 Vac) 1200 (480 Vac) 1400 (530 Vac) 1600 (600 Vac) | |
| I _{TSM} | Maximum Non-Repetitive Surge Current (1/2 Cycle, 60Hz) | 350A | 500A |
| I ² T | Maximum I ² T for Fusing (t=8.3ms) [A ² sec] | 374 | 1000 |
| R _{qJC} | Maximum Thermal Resistance Junction to Ceramic Base per Chip | 1.3°C/W | 1.2°C/W |
| V _{ISOL} | Isolation Voltage | 2500 V _{RMS} | |

MECHANICAL SPECIFICATIONS

Weight: (typical)

0.75 oz. (21g)

© C3 Semiconductors, LLC. All rights are reserved

For recommended applications and more information contact:
USA: Sales Support (888) 882-8689

Email: sales@c3semi.com WEB SITE: <http://www.C3semi.com>



25 - 35 Amp • DIODE Module

Features

- High Thermal Efficiency
- Complete Power Control Circuits in a Single Package

DESCRIPTION

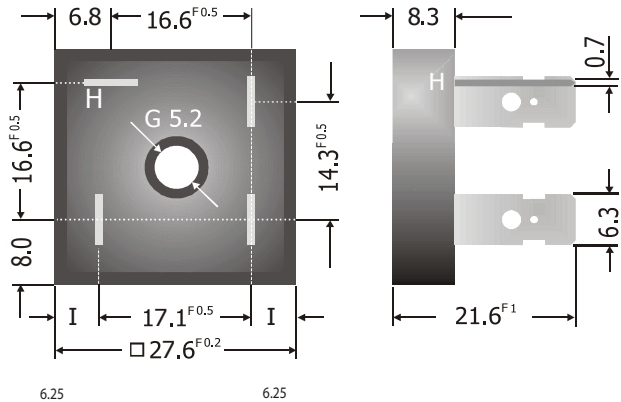
These modules provide complete power control in a single package, utilizing high thermal efficiency to assure long life and reliable performance. Three standard models provide 2500 Vrms isolation from all terminals to ceramic base and are UL recognition pending.

PART NUMBER IDENTIFICATION

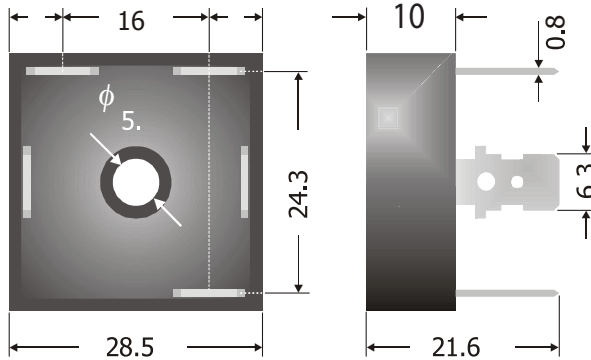
Ex.: CSD35/16

| Series Type | Circuit Type | Current | Voltage |
|---------------|------------------|--------------|-----------|
| CS-Case style | B - Single phase | 35 - 35 Amps | 06 - 600 |
| | D - Three phase | 25 - 25 Amps | 08 - 800 |
| | | | 10 - 1000 |
| | | | 12 - 1200 |
| | | | 14 - 1400 |
| | | | 16 - 1600 |

MECHANICAL DIMENSIONS Dimensions in mm.



6.25 6.25



SERIES CS CIRCUITS

