

Silicon PNP Power Transistors

2SB974

DESCRIPTION

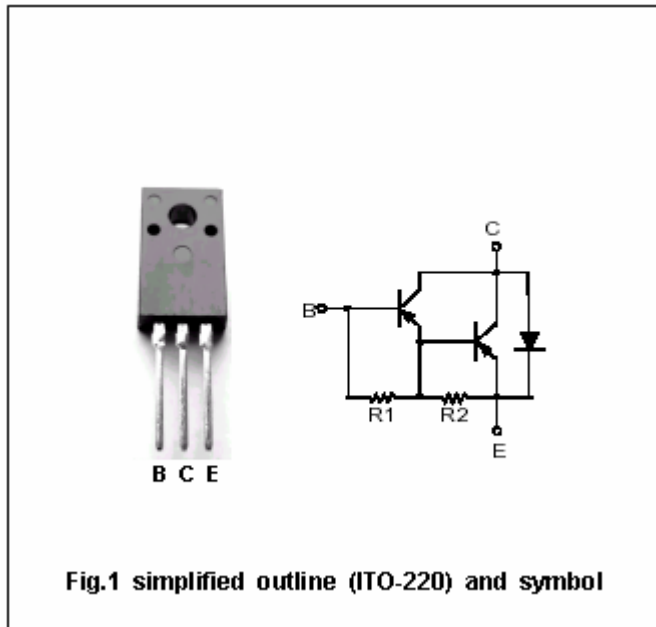
- With ITO-220 package
- DARLINGTON
- High DC current gain
- Low collector saturation voltage

APPLICATIONS

- Low frequency power amplification
- Low speed power switching applications

PINNING

PIN	DESCRIPTION
1	Base
2	Collector
3	Emitter



Absolute maximum ratings(Ta=25°C)

SYMBOL	PARAMETER	CONDITIONS	VALUE	UNIT
V <sub>CBO</sub>	Collector-base voltage	Open emitter	-100	V
V <sub>CEO</sub>	Collector-emitter voltage	Open base	-100	V
V <sub>EBO</sub>	Emitter-base voltage	Open collector	-5	V
I <sub>C</sub>	Collector current		-5	A
P <sub>C</sub>	Collector power dissipation	T <sub>C</sub> =25°C	30	W
		T <sub>a</sub> =25°C	1.5	
T <sub>j</sub>	Junction temperature		150	°C
T <sub>stg</sub>	Storage temperature		-55~150	°C

## Silicon PNP Power Transistors

2SB974

## CHARACTERISTICS

Tj=25°C unless otherwise specified

SYMBOL	PARAMETER	CONDITIONS	MIN	TYP.	MAX	UNIT
V <sub>CEO(SUS)</sub>	Collector-emitter sustaining voltage	I <sub>C</sub> =-30mA ; I <sub>B</sub> =0	-100			V
V <sub>(BR)CBO</sub>	Collector-base breakdown voltage	I <sub>C</sub> =-1mA ; I <sub>E</sub> =0	-100			V
V <sub>(BR)EBO</sub>	Emitter-base breakdown voltage	I <sub>E</sub> =-5mA ; I <sub>C</sub> =0	-5			V
V <sub>CEsat</sub>	Collector-emitter saturation voltage	I <sub>C</sub> =-2A; I <sub>B</sub> =-2mA			-1.5	V
V <sub>BEsat</sub>	Base-emitter saturation voltage	I <sub>C</sub> =-2A; I <sub>B</sub> =-2mA			-2.0	V
I <sub>CBO</sub>	Collector cut-off current	V <sub>CB</sub> =-100V; I <sub>E</sub> =0			-1	μA
I <sub>CEO</sub>	Collector cut-off current	V <sub>CE</sub> =-50V; I <sub>B</sub> =0			-100	μA
I <sub>EBO</sub>	Emitter cut-off current	V <sub>EB</sub> =-5V; I <sub>C</sub> =0			-5.0	mA
h <sub>FE</sub>	DC current gain	I <sub>C</sub> =-2A ; V <sub>CE</sub> =-2V	2000		20000	

Silicon PNP Power Transistors

2SB974

PACKAGE OUTLINE

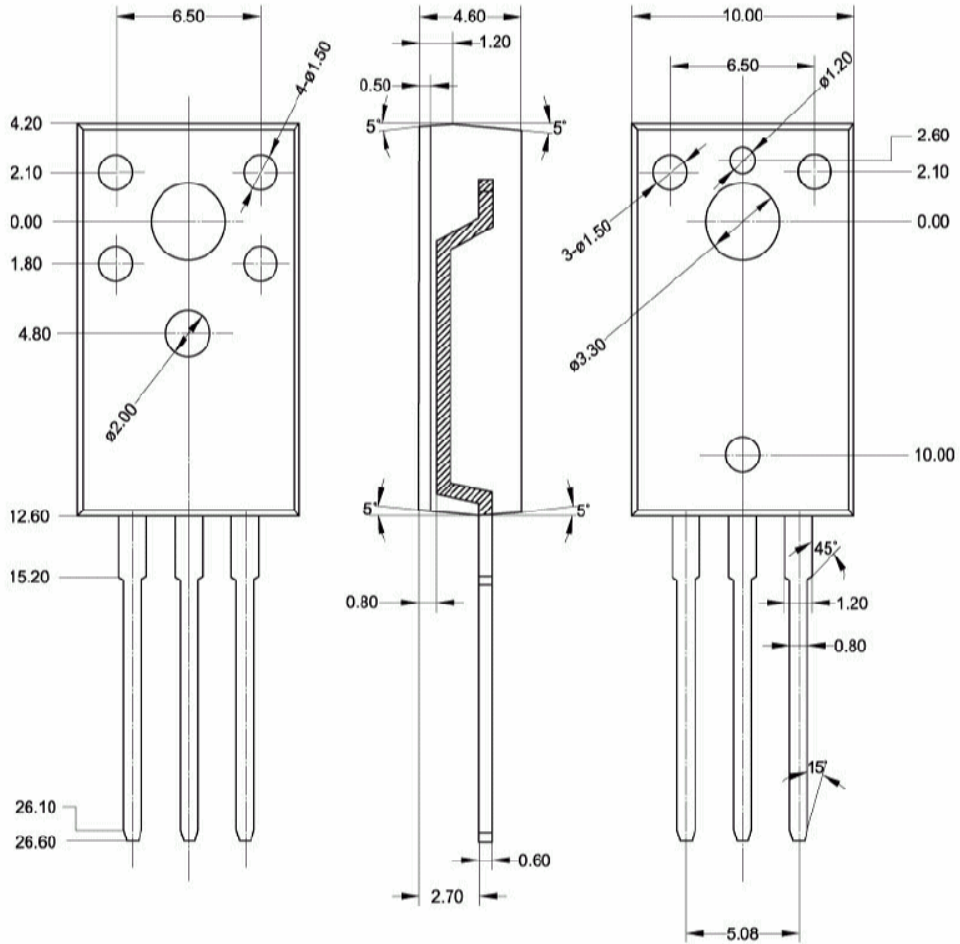


Fig.2 Outline dimensions (unindicated tolerance:  $\pm 0.20$  mm)