

Silicon PNP Power Transistors

2SB966

DESCRIPTION

- With TO-3PFa package
- Complement to type 2SD1289

APPLICATIONS

- For use in low frequency and power amplifier applications

PINNING

| PIN | DESCRIPTION |
|-----|-------------|
| 1 | Base |
| 2 | Collector |
| 3 | Emitter |

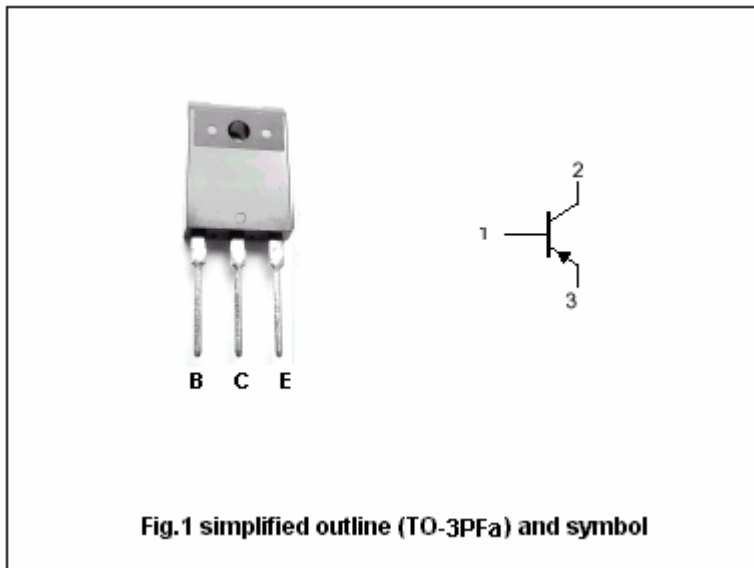


Fig.1 simplified outline (TO-3PFa) and symbol

Absolute maximum ratings(Ta=25°C)

| SYMBOL | PARAMETER | CONDITIONS | VALUE | UNIT |
|------------------|-----------------------------|----------------------|---------|------|
| V _{CBO} | Collector-base voltage | Open emitter | -120 | V |
| V _{CEO} | Collector-emitter voltage | Open base | -120 | V |
| V _{EBO} | Emitter-base voltage | Open collector | -5 | V |
| I _C | Collector current | | -8 | A |
| I _{CM} | Collector current-peak | | -12 | A |
| P _C | Collector power dissipation | T _C =25°C | 80 | W |
| T _j | Junction temperature | | 150 | °C |
| T _{stg} | Storage temperature | | -55~150 | °C |

Silicon PNP Power Transistors

2SB966

CHARACTERISTICS

T_j=25 °C unless otherwise specified

| SYMBOL | PARAMETER | CONDITIONS | MIN | TYP. | MAX | UNIT |
|----------------------|--------------------------------------|---|------|------|------|------|
| V _{(BR)CEO} | Collector-emitter breakdown voltage | I _C =-25mA ; I _B =0 | -120 | | | V |
| V _{CEsat} | Collector-emitter saturation voltage | I _C =-5A ; I _B =-0.5A | | | -1.5 | V |
| V _{BEsat} | Base-emitter saturation voltage | I _C =-5A ; I _B =-0.5A | | | -2.0 | V |
| I _{CBO} | Collector cut-off current | V _{CB} =-120V; I _E =0 | | | -50 | μA |
| I _{EBO} | Emitter cut-off current | V _{EB} =-5V; I _C =0 | | | -50 | μA |
| h _{FE-1} | DC current gain | I _C =-1A ; V _{CE} =-5V | 60 | | 320 | |
| h _{FE-2} | DC current gain | I _C =-5A ; V _{CE} =-5V | 20 | | | |
| C _{OB} | Output capacitance | I _E =0 ; V _{CB} =-10V; f=1MHz | | 200 | | pF |
| f _T | Transition frequency | I _C =-1A ; V _{CE} =-5V | | 65 | | MHz |

Silicon PNP Power Transistors

2SB966

PACKAGE OUTLINE

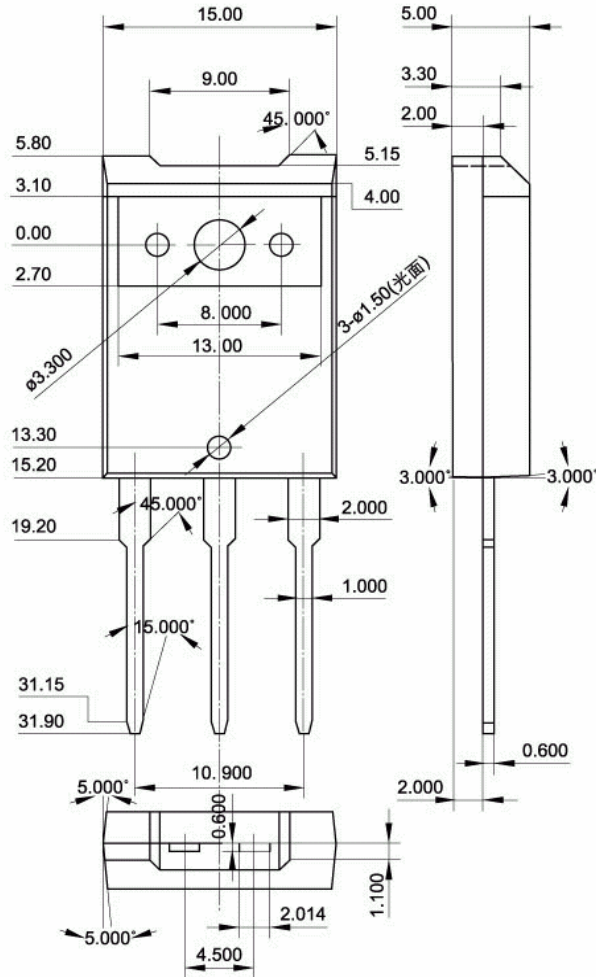


Fig.2 Outline dimensions (unindicated tolerance:±0.30mm)