

1.25 Gbps PIN-TIA (850nm) 3.3V & 5V

Features

- 1.25 Gbps typical bandwidth.
- GaAs PIN Detector with transimpedance amplifier in a TO-46 hermetic package.
- High sensitivity with AGC.
- Differential ended output
- +3.3V & +5V operation.

Applications

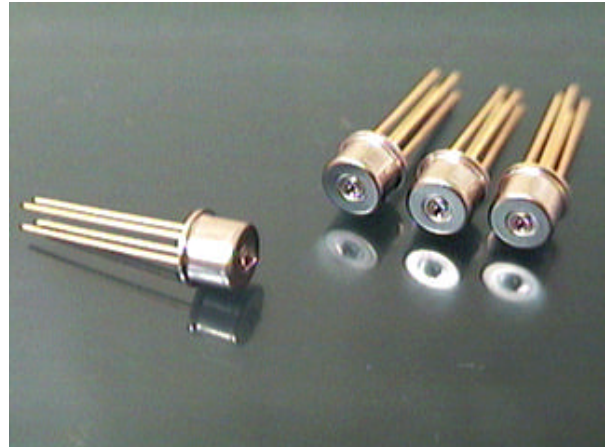
◆ Optical Communication Receiver / Transceiver

- SONET OC-24/SDH STM-8
- Gigabit Ethernet
- Fiber Channel

Handling and Safety Precautions

Anti-static protection, such as ionized air blowers or grounded wrist straps with a 1 mega series resistor, should be used at all times when handling laser diodes. In addition, soldering irons should be well grounded.

Overheating caused by soldering of the leads of a laser diode must be prevented. Recommend soldering iron temperature and maximum exposure time are below 260°C and 10 seconds.



Description

The MCD-8T4C-313 is a high performance 850 nm GaAs PIN detector with transimpedance-amplifier. This product is designed for short and medium distance optical fiber communication.

The MCD-8T4C-313 is compatible with industry standard wave or hand solder processes.

Unity Opto Technology Co., Ltd.

10 F, No. 88-8, Sec. 1, Kuang-Fu Rd.,
Sanchung City, 241 Taipei, Taiwan

For prototype and Production call

TEL: 886 - 2 -2999 - 3988
FAX: 886 - 2 -2999 -3910
REV.:A1 7/17/2002

~ Absolute Maximum Ratings (Tc = 25 °C)

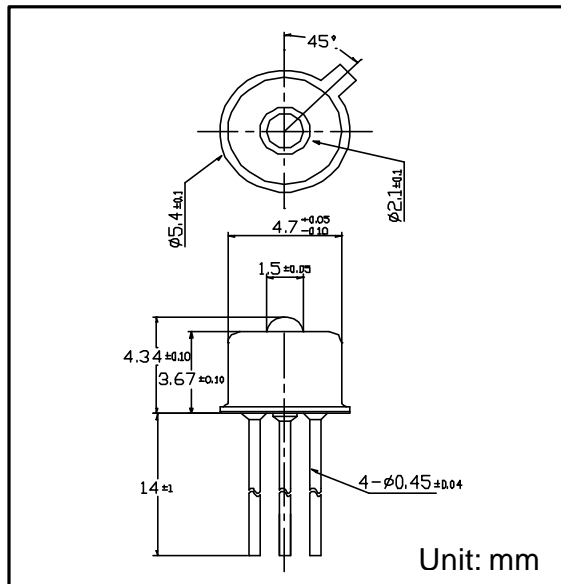
Parameter	Symbol	Rated Value	Unit
Voltage	V	6	V
Operating case temperature	Top	- 40 to +85	°C
Storage temperature	T _{STG}	- 40 to +85	°C

~ DC/ Electrical Characteristics (Tc = 25 °C)

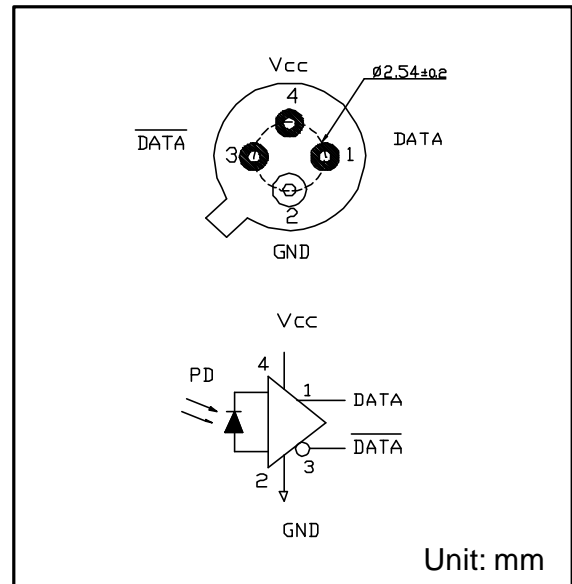
Parameter	Symbol	Min.	Typ.	Max.	Unit
Supply power	Vcc	3.0	-	5	V
Differential Output Voltage	Vd	-	-	0.33	V
Supply current (no load)	Icc	-	-	45	mA

~ AC/ Optical & Electrical Characteristics (Tc = 25 °C)

Parameter	Symbol	Test Conditions	Min.	Typ.	Max.	Unit
Detection Range			770	850	860	nm
Active Area			-	100	-	µm
Gain@10Mbps Differential	G	λ=850nm	-	8.3	-	V/mW
Bandwidth	BW		1000	-	-	MHz
Saturation Power	Psat	λ=850nm	-3	0	-	dBm
Sensitivity	Sens	BER=10 ⁻¹⁰ @1.25Gbps	-	-21	-20	dBm
Output Resistance	Rout		-	50	-	ohm
Operation Speed			-	1.25	-	Gbps



Package Dimensions



Pin Connections (Bottom View)

NOTE: Specifications are subjected to change without notice.

Unity Opto Technology Co., Ltd.

10 F, No. 88-8, Sec. 1, Kuang-Fu Rd.,
Sanchung City, 241 Taipei, Taiwan

For prototype and Production call

TEL: 886 - 2 -2999 - 3988
FAX: 886 - 2 -2999 -3910
REV.:A1 7/17/2002