

Silicon NPN Power Transistors

2SD5075

DESCRIPTION

www.datasheet4u.com

- With TO-3PML package
- High breakdown voltage
- High speed switching

APPLICATIONS

- Color TV horizontal output applications

PINNING

PIN	DESCRIPTION
1	Base
2	Collector
3	Emitter

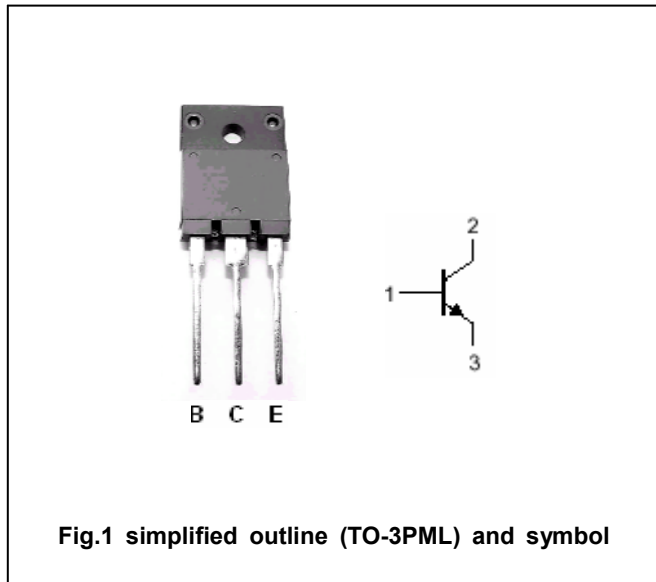


Fig.1 simplified outline (TO-3PML) and symbol

Absolute maximum ratings(Ta=25°C)

SYMBOL	PARAMETER	CONDITIONS	VALUE	UNIT
V <sub>CBO</sub>	Collector-base voltage	Open emitter	1500	V
V <sub>CEO</sub>	Collector-emitter voltage	Open base	800	V
V <sub>EBO</sub>	Emitter-base voltage	Open collector	6	V
I <sub>C</sub>	Collector current		3.5	A
I <sub>CM</sub>	Collector current-peak		10	A
P <sub>C</sub>	Collector power dissipation	T <sub>C</sub> =25°C	50	W
T <sub>j</sub>	Junction temperature		150	°C
T <sub>stg</sub>	Storage temperature		-55~150	°C

## Silicon NPN Power Transistors

## 2SD5075

## CHARACTERISTICS

T<sub>j</sub>=25°C unless otherwise specified

www.datasheet4u.com

SYMBOL	PARAMETER	CONDITIONS	MIN	TYP.	MAX	UNIT
V <sub>CEsat</sub>	Collector-emitter saturation voltage	I <sub>C</sub> =2.5A; I <sub>B</sub> =0.8A			8.0	V
V <sub>BEsat</sub>	Base-emitter saturation voltage	I <sub>C</sub> =2.5A; I <sub>B</sub> =0.8A			1.5	V
I <sub>EBO</sub>	Emitter cut-off current	V <sub>EB</sub> =5V; I <sub>C</sub> =0			1.0	mA
I <sub>CBO</sub>	Collector cut-off current	V <sub>CB</sub> =800V; I <sub>E</sub> =0			10	μA
h <sub>FE</sub>	DC current gain	I <sub>C</sub> =0.5 A ; V <sub>CE</sub> =5V	8			
f <sub>T</sub>	Transition frequency	I <sub>C</sub> =0.5 A ; V <sub>CE</sub> =10V		3		MHz
t <sub>f</sub>	Fall time	I <sub>C</sub> =3A; I <sub>B1</sub> =0.8A; I <sub>B2</sub> =-1.6A V <sub>CC</sub> =200V; R <sub>L</sub> =66.7Ω			0.4	μs

Silicon NPN Power Transistors

2SD5075

PACKAGE OUTLINE

www.datasheet4u.com

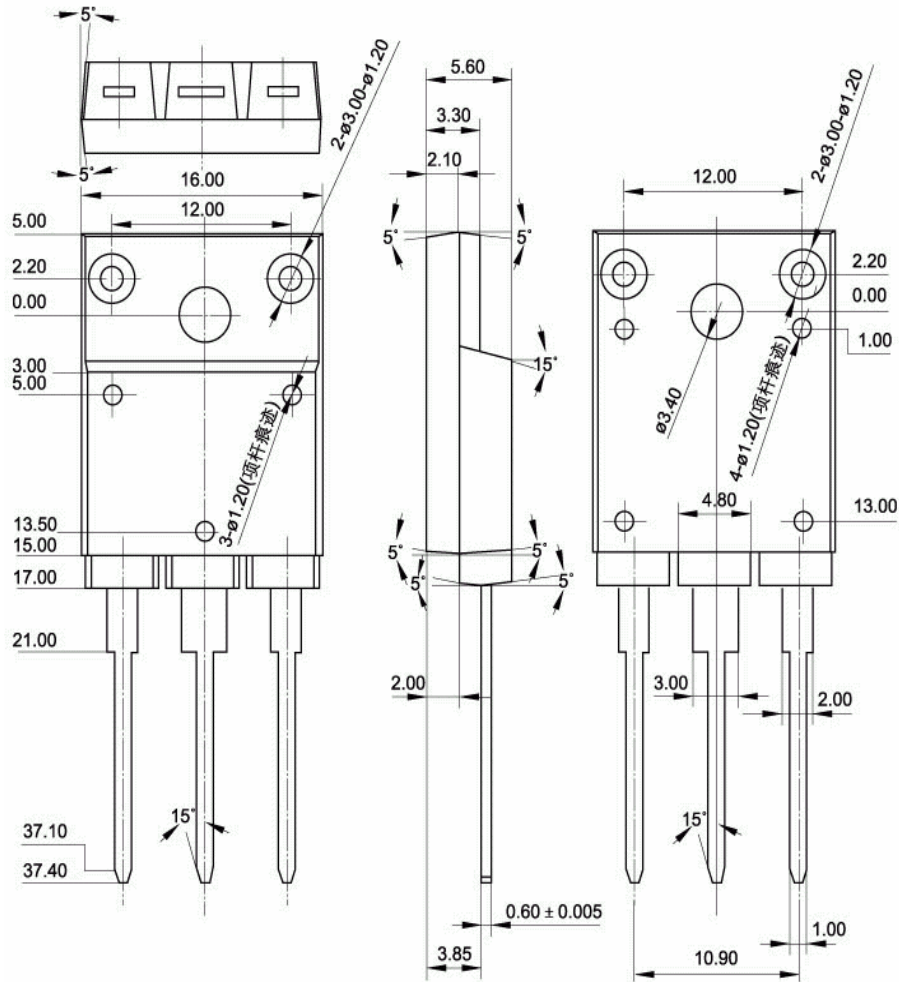


Fig.2 Outline dimensions