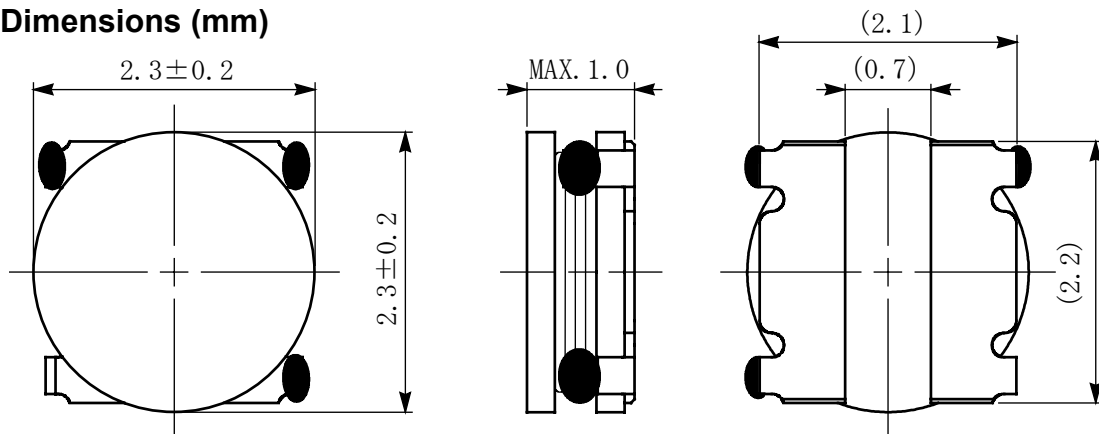
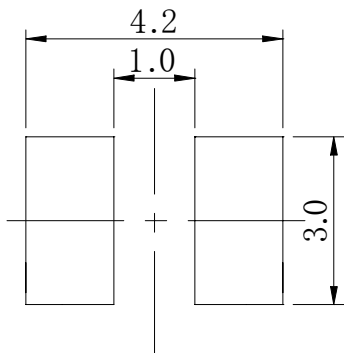
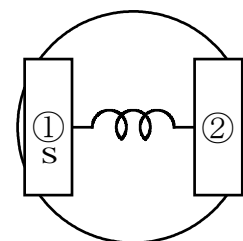


Type: CDH23D09/SHP
◆ Product Description

- 2.5×2.5mm Max.(L×W), 1.0mm Max. Height.
- Inductance range: 1.0~6.8 μH
- Rated current range: 0.45~1.17A
- In addition to the standard versions of inductors shown here, custom inductors are available to meet your exact requirements.

◆ Feature

- Magnetically shielded construction.
- Ideally used in Mobilephone,PDA,MP3,DSC/DVC,etc as DC-DC Converter inductors.
- Strong resistance against drop shock.
- RoHS Compliance

◆ Dimensions (mm)

◆ Land Pattern (mm)

◆ Schematics (Bottom)


“S” is winding start.

Type: CDH23D09/SHP
◆ Specification

Part Name ※	Stamp	Inductance [Within] (μ H) ※1	D.C.R. (m Ω) [Max.] (at 20°C) ※2	Saturation current (A) ※3 (at 20°C)	Temperature rise current (A) ※4
CDH23D09SHPNP-1R0M□	A	1.0 \pm 20%	105.5(84.4)	1.55	1.17
CDH23D09SHPNP-1R5M□	B	1.5 \pm 20%	157.9(126.4)	1.25	0.96
CDH23D09SHPNP-2R2M□	C	2.2 \pm 20%	241.3(193.1)	1.05	0.75
CDH23D09SHPNP-3R3M□	D	3.3 \pm 20%	350.6(280.5)	0.85	0.65
CDH23D09SHPNP-4R7M□	E	4.7 \pm 20%	536.8(429.5)	0.70	0.50
CDH23D09SHPNP-6R8M□	F	6.8 \pm 20%	660.6(528.5)	0.60	0.45

※ Description Of Part Name

CDH23D09/SHP-1R0M□

- B Box
- C Carrier Tape

※1 Measuring frequency:100kHz

※2 () are typical value.

※3 Saturation current: The DC current at which the inductance decreases to 70% of it's nominal.

※4 Temperature rise current: The DC current at which the temperature rise is $\Delta t=40^{\circ}\text{C}$ ($T_a=20^{\circ}\text{C}$).