



American Opto Plus LED

L-523XC

5mm Dia LED LAMP – WATER CLEAR

Flangeless

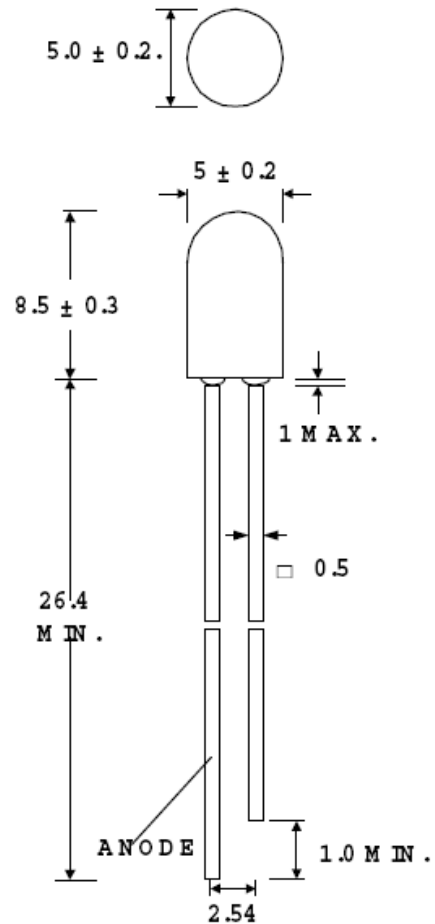
- ◆ 5.0mm DIA LED LAMP
- ◆ I.C. COMPATIBLE
- ◆ LOW POWER CONSUMPTION
- ◆ HIGH LUMINOUS INTENSITY

DESCRIPTION

- Super bright LED Lamp
- Round type
- T1-3/4 (5mm) diameter
- Lens color: Water Clear
- Without flange
- Solder leads without stand-off

FEATURES

- Low Power Consumption
- Technology:
GaP, AlGaAs, AlInGaP, GaN



Notes:

1. All dimensions are in millimeter.
2. Lead spacing is measured where the lead emerge from the package.



American Opto Plus

L-523XC

5mm Dia LED LAMP – WATER CLEAR
Flangeless

MAIN FEATURES

- ◆ 5.0mm DIA LED LAMP
- ◆ POPULAR T-1 3/4, 1" LEAD
- ◆ I.C. COMPATABLE
- ◆ LOW POWER CONSUMPTION

SELECTION GUIDE AND APPLICATION INFORMATION (RATINGS AT 25°C AMBIENT)

Part No.	Chip		Lens Color	Wave	Absolute Maximum Ratings				Electro-Optical Characteristics					View	
	Raw	Emitted		Length	$\Delta\lambda$	Pd	If	If	Vf(V)			If	Iv (mcd)	Angle	
	Material	Color		p(nm)	Nm	mW	mA	(Peak)	Min.	Typ.	Max.	(Rec)	Min.	Typ.	(deg)
L523GC	GaP	Green	Water clear	565	30	100	30	160	1.7	2.1	2.8	10-20	10	30	30
L523EC	GaAsP/Gap	Hi-eff. Red	Water clear	635	45	100	30	160	1.7	2.0	2.8	10-20	10	60	30
L523SRC	GaAlAs	Super Red	Water clear	660	20	60	20	160	1.6	1.8	2.1	10-20	500	1000	30
L523URC	GaAlAs	Super Red	Water clear	660	20	60	20	160	1.6	1.8	2.1	10-20	2000	3000	30
L523YC	GaAsP/Gap	Yellow	Water clear	585	30	100	30	160	1.7	2.1	2.8	10-20	10	30	30
L523UYC	AlInGaP	Super Yellow	Water clear	592	20	60	20	160	1.7	2.0	2.8	10-20	2000	2500	30
L523MEC-36D	AlGaInP	Hi-eff. Red	Water clear	630	20	100	30	120	1.8	2.2	2.6	20	2500	5500	30
L523MYC-36D	AlGaInP	Mega Yellow	Water clear	592	20	100	30	100	1.8	2.0	2.6	20	2100	5000	30
L523NEC-30D	AlGalnP	Hi-eff. Red	Water clear	630	20	120	50	200	1.6	1.8	2.4	20	3200	5400	30
L523NPGC-30D	GaN	Pure Green	Water clear	525		120	30	100	-	3.5	4.0	20	7000	9000	30
L523NYC-30D	AlInGaP	Yellow	Water clear	592		120	50	200	1.8	2.2	2.5	20	4000	6000	30

Tolerance of viewing angle: -10/+5 deg.

ABSOLUTE MAXIMUM RATING: (Ta=25°C)

Reverse Voltage	: 5 Volt
Reverse Current (Vr = 5V)	: 100µA
Operating Temperature Range	: -20C to +80C
Storage Temperature Range	: -40C to +100C
Lead Soldering Temperature	: 260C for 5 Seconds
(1.6mm (1/16inch) from body)	

ELECTRO-OPTICAL CHARACTERISTICS: (Ta=25°C)

Parameter Description	Symbol	Unit
Spectral Line half-Width	$\Delta\lambda$	nm
Power Dissipation	Pd	mW
Peak Forward Current (Duty 1/10, @ KHz)	If(Peak)	mA
Recommended Operation Current	If(Rec)	mA
Average Luminous intensity (If = 10mA)	Iv	mcd