



■ Features :

- 3 pole AC inlet IEC320-C14
- Class I power ( with earth pin)
- Full output 3~48V safety approval
- Protections: Short circuit / Overload / Over voltage / Over temp.
- Fully enclosed plastic case
- Fix switching frequency and regulation
- Topology: Top switch circuit
- LED indicator for power on
- Approvals: UL / CUL / TUV / CB / CE
- 2 years warranty

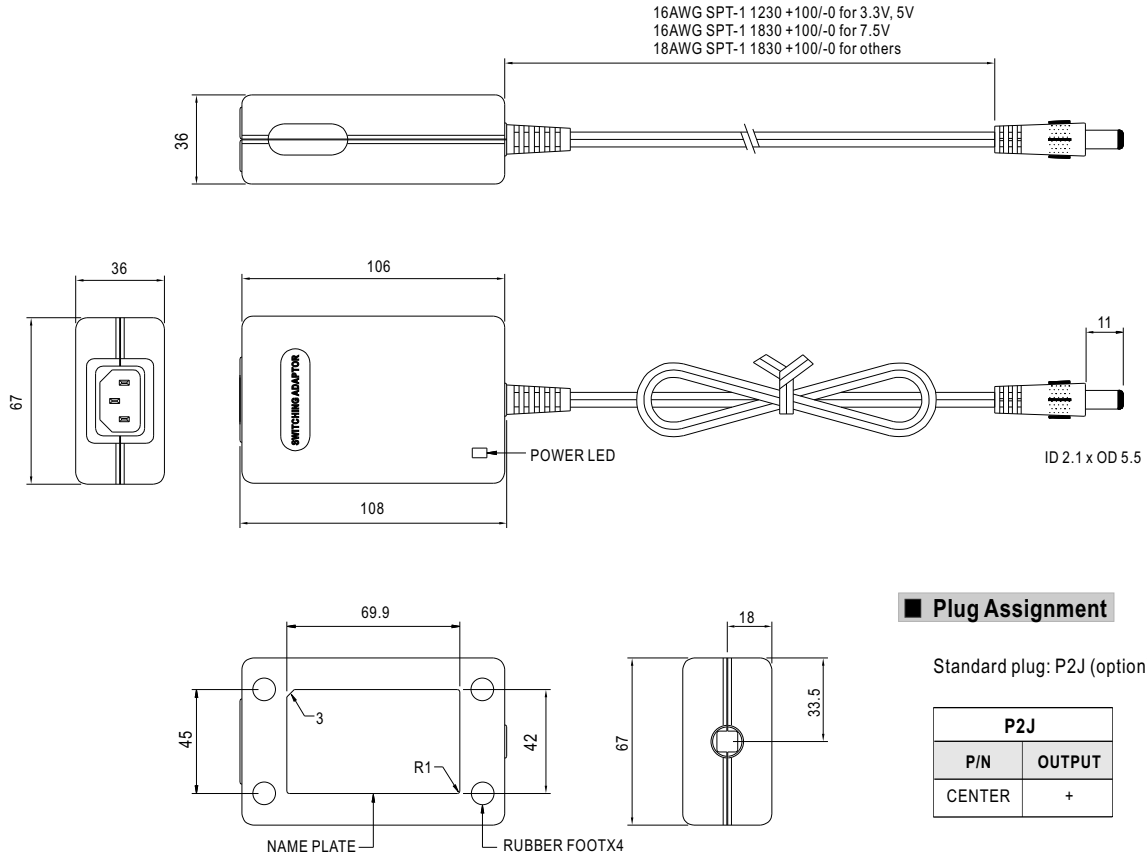


SPECIFICATION

ORDER NO.		P40A-0P2J	P40A-1P2J	P40A-1-1P2J	P40A-2P2J	P40A-3P2J	P40A-4P2J	P40A-5P2J	P40A-6P2J	P40A-7P2J	P40A-8P2J	
OUTPUT	SAFETY MODEL NO.	PSU40A-0	PSU40A-1	PSU40A-1-1	PSU40A-2	PSU40A-3	PSU40A-4	PSU40A-5	PSU40A-6	PSU40A-7	PSU40A-8	
	DC VOLTAGE <small>Note.2</small>	3.3V	5V	7.5V	9V	12V	15V	18V	24V	28V	48V	
	RATED CURRENT	4.54A	5A	4A	3.88A	3.33A	2.66A	2.22A	1.66A	1.42A	0.83A	
	CURRENT RANGE	0 ~ 4.54A	0 ~ 5A	0 ~ 4A	0 ~ 3.88A	0 ~ 3.33A	0 ~ 2.66A	0 ~ 2.22A	0 ~ 1.66A	0 ~ 1.42A	0 ~ 0.83A	
	RATED POWER	15W	25W	30W	35W	40W	40W	40W	40W	40W	40W	
	RIPPLE & NOISE (max.) <small>Note.3</small>	50mVp-p	50mVp-p	80mVp-p	80mVp-p	80mVp-p	100mVp-p	100mVp-p	150mVp-p	150mVp-p	150mVp-p	
	VOLTAGE ADJ. RANGE	3~5V	5~6V	6~8V	8~11V	11~13V	13~16V	16~21V	21~27V	27~33V	33~48V	
		Fixed output by internal VR										
	VOLTAGE TOLERANCE <small>Note.4</small>	±10%	±6.0%	±5.0%	±5.0%	±4.0%	±3.0%	±3.0%	±3.0%	±3.0%	±3.0%	±2.0%
	LINE REGULATION <small>Note.5</small>	±1.0%	±1.0%	±1.0%	±1.0%	±1.0%	±1.0%	±1.0%	±1.0%	±1.0%	±1.0%	±1.0%
LOAD REGULATION <small>Note.6</small>	±8.0%	±5.0%	±5.0%	±4.0%	±3.0%	±2.0%	±2.0%	±2.0%	±2.0%	±2.0%	±1.0%	
SETUP, RISE, HOLD UP TIME	200ms, 50ms, 16ms at full load											
INPUT	VOLTAGE RANGE	90 ~ 264VAC 135 ~ 370VDC										
	FREQUENCY RANGE	47 ~ 63Hz										
	EFFICIENCY (Typ.)	65%	70%	72%	74%	75%	78%	78%	80%	80%	82%	
	AC CURRENT	1A / 100VAC										
	INRUSH CURRENT (max.)	60A / 230VAC										
LEAKAGE CURRENT(max.)	0.75mA / 240VAC											
PROTECTION	OVERLOAD	150 ~ 450% rated output power Protection type : Hiccup mode, recovers automatically after fault condition is removed										
	OVER VOLTAGE	110 ~ 140% rated output voltage Protection type : Shut down o/p voltage, re-power on to recover										
	OVER TEMPERATURE	IC1Tj135°C Protection type : Shut down o/p voltage, recovers automatically after temperature goes down										
ENVIRONMENT	WORKING TEMP.	0 ~ +40°C (Refer to output load derating curve)										
	WORKING HUMIDITY	20% ~ 90% RH non-condensing										
	STORAGE TEMP., HUMIDITY	-20 ~ +85°C, 10 ~ 95% RH										
	TEMP. COEFFICIENT	±0.03% / °C (0 ~ 50°C)										
	VIBRATION	10 ~ 500Hz, 2G 10min./1cycle, period for 60min. each along X, Y, Z axes										
SAFETY & EMC (Note. 7)	SAFETY STANDARDS	UL1950, CSA22.2, EN60950-1 approved										
	WITHSTAND VOLTAGE	I/P-O/P:3KVAC I/P-FG:1.5KVAC										
	ISOLATION RESISTANCE	I/P-O/P, I/P-FG:100M Ohms / 500VDC / 25°C / 70% RH										
	EMI CONDUCTION & RADIATION	Compliance to EN55022(CISPR22) class B										
	HARMONIC CURRENT	Compliance to EN61000-3-2,-3										
EMS IMMUNITY	Compliance to EN61000-4-2,3,4,5,6,11,ENV50204, light industry level, criteria A											
OTHERS	MTBF	500khrs min. MIL-HDBK-217F (25°C)										
	DIMENSION	108*67*36mm (L*W*H)										
	PACKING	0.3kg; 54pcs/ 20kg / CARTON										
CONNECTOR	PLUG	Standard type P2J: 2.1φ * 5.5φ * 11mm, center positive for stock ; Other type available by customer requested										
	CABLE	Standard type see page2 ; Other type available by customer requested										
NOTE	1.All parameters are specified at 230VAC input, rated load, 25°C 70% RH ambient. 2.DC voltage: The output voltage set at point measure by plug terminal & 50% load. 3.Ripple & noise are measured at 20MHz by using a 12" twisted pair terminated with a 0.1uf & 47uf capacitor. 4.Tolerance: includes set up tolerance, line regulation, load regulation. 5.Line regulation is measured from low line to high line at rated load. 6.Load regulation is measured from 0% to 100% rated load. 7.The power supply is considered a component which will be installed into a final equipment. The final equipment must be re-confirmed that it still meets EMC directives.											

## Mechanical Specification

Unit:mm

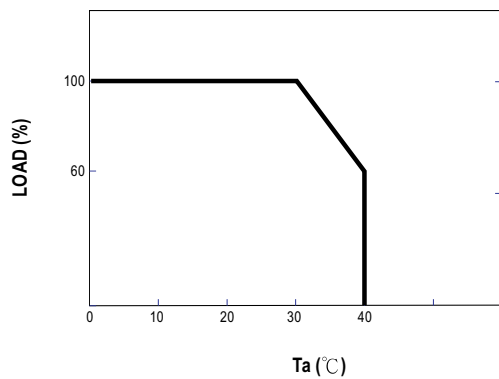


## Plug Assignment

Standard plug: P2J (option)

P2J	
P/N	OUTPUT
CENTER	+

## Derating Curve



## Static Characteristics

