

# T1/E1 PROTECTION MODULES

## Dual Port SMT Transformer Modules with IC and Line Side Protection



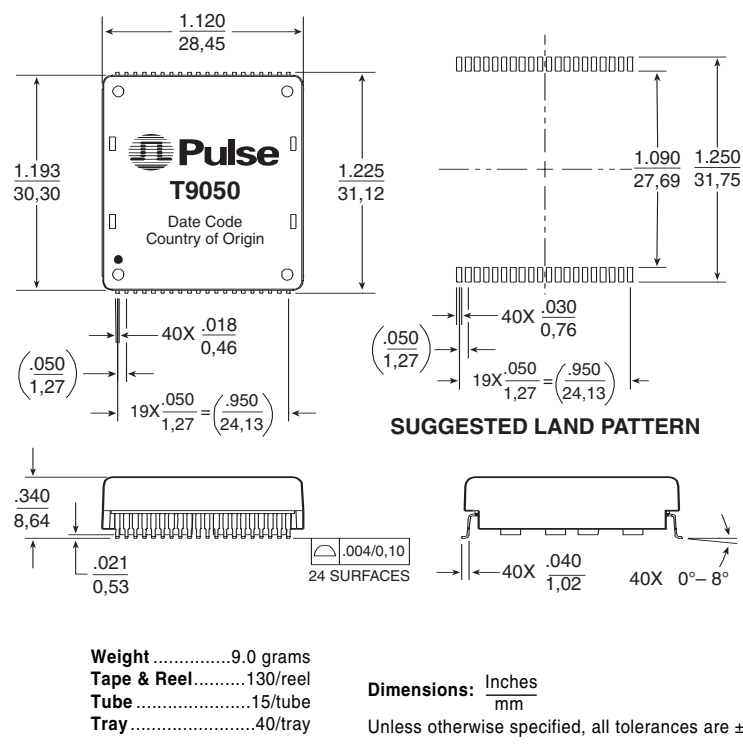
- Saves 50%-60% of PCB space over discrete implementation
- Small dual port full protection module in a low profile SMT package
- IC Side Protection Circuit on each channel to suppress low transient voltages
- Line Side Protection Circuit on each channel to provide surge voltage protection
- Developed jointly with INTEL

### Electrical Specifications @ 25°C — Operating Temperature 0°C to +70°C

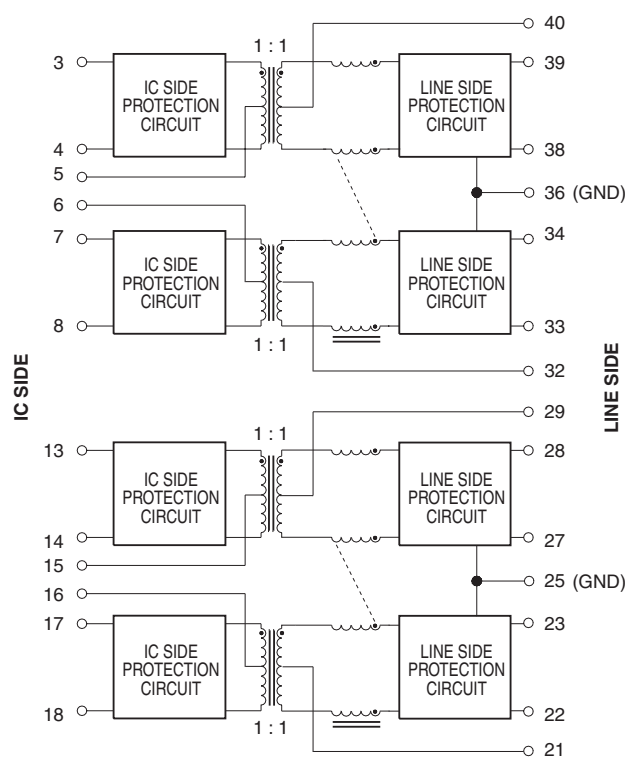
Part Number	Turns Ratio (Pri:Sec ±2%)		OCL @ 25°C (mH MIN)	LL (µH MAX)	Isolation Voltage (Vrms MIN)
	TX	RX			
T9050	1CT:1CT	1CT:1CT	1.2 & 1.2	.80 & .80	1500

NOTE: Optional Tape & Reel packaging can be ordered by adding a "T" suffix to the part number (ex: T9050T)

### Mechanical



### Schematic



### For More Information :

UNITED STATES (Worldwide)	UNITED KINGDOM (Northern Europe)	FRANCE (Southern Europe)	SINGAPORE (Southern Asia)	TAIWAN, R.O.C. (Northern Asia)	HONG KONG (China/Hong Kong)	DISTRIBUTOR
12220 World Trade Drive San Diego, CA 92128 U.S.A. http://www.pulseeng.com TEL: 858 674 8100 FAX: 858 674 8262	1 & 2 Huxley Road The Surrey Research Park Guildford, Surrey GU2 5RE United Kingdom TEL: 44 1483 401700 FAX: 44 1483 401701	Zone Industrielle F-39270 Orgelet France TEL: 33 3 84 35 04 04 FAX: 33 3 84 25 46 41	150 Kampong Ampat #07-01/02 KA Centre Singapore 368324 TEL: 65 6287 8998 FAX: 65 6280 0080	3F-4, No. 81, Sec. 1 HsinTai Wu Road Hsi-Chih, Taipei Hsien Taiwan, R.O.C. Tel: 886 2 2698 0228 FAX: 886 2 2698 0948	9/F, Phase 2, Tai Sang Shatin Warehouse Centre 6 Wong Chuk Yeung Street Fotan, Shatin, Hong Kong TEL: 852 2788 6588 FAX: 852 2776 1055	

Performance warranty of products offered on this data sheet is limited to the parameters specified. Data is subject to change without notice. Other brand and product names mentioned herein may be products and/or registered trademarks of their respective owners.

Printed on recycled paper. ©2003, Pulse Engineering, Inc. All Rights Reserved.

**T676.A (9/03)**