



American Opto Plus LED L513GC-30D

5mm Dia LED LAMP – Water Clear

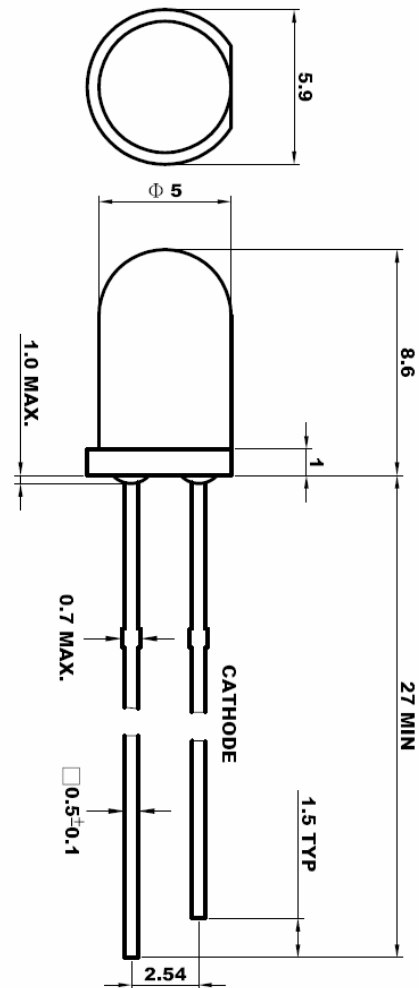
- ◆ 5.0mm DIA LED LAMP
- ◆ I.C. COMPATIBLE
- ◆ LOW POWER CONSUMPTION
- ◆ LONG LAMP LIFE

DESCRIPTION

- Round type
- T1-3/4 (5mm) diameter
- Lens color: Water Clear
- With flange
- Solder leads without stand-off

FEATURES

- Emitted color: Green
- Technology: GaP
- Viewing angle: 30°
- Peak wavelength $\lambda_p = 568\text{nm}$



SELECTION GUIDE

Chip Material	Chip Emitted	Lens Color	Viewing Angle
GaP	Green	Water Clear	30°



American Opto Plus LED L513GC-30D

5mm Dia LED LAMP – Water Clear

- ◆ 5.0mm DIA LED LAMP
- ◆ I.C. COMPATIBLE
- ◆ LOW POWER CONSUMPTION
- ◆ LONG LAMP LIFE

ABSOLUTE MAXIMUM RATINGS

(Ta=25°C)

Parameter	Symbol	Max Rating	Unit
Power Dissipation	P _D	65	mW
Peak Forward Current (1/10 Duty Cycle @1KHz)	I _{PF}	100	mA
Forward Current	I _F	25	mA
Reverse Voltage	V _R	5.0	V
Operating Temperature Range	T _{OPR}	-40~+85	°C
Storage Temperature Range	T _{STG}	-40~+85	°C

Solder temperature 2 mm from body for 3 seconds at 260°C

OPTICAL-ELECTRICAL CHARACTERISTICS

Parameter	Symbol	Test Condition	Min	Typ	Max	Unit
Luminous Intensity	I _v	I _F = 10mA	25	60		mcd
Forward Voltage	V _F	I _F = 10mA		2.05	2.6	V
Reverse Current	I _R	V _R = 5V			10	uA
Viewing Angle	2θ _{1/2}	I _F = 10mA		30		deg.
Peak Wavelength	λ _P	I _F = 10mA		568		nm
Dominant Wavelength	λ _D	I _F = 10mA		570		nm
Spectrum Radiation Bandwidth	Δλ	I _F = 10mA		30		nm

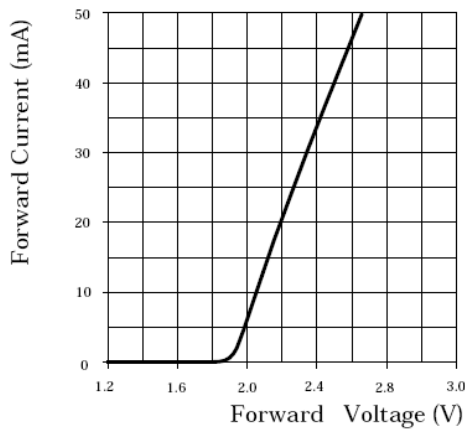


American Opto Plus LED L513GC-30D

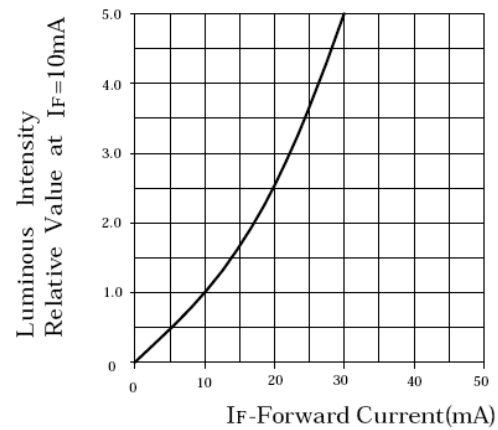
5mm Dia LED LAMP – Water Clear

- ◆ 5.0mm DIA LED LAMP
- ◆ I.C. COMPATIBLE
- ◆ LOW POWER CONSUMPTION
- ◆ LONG LAMP LIFE

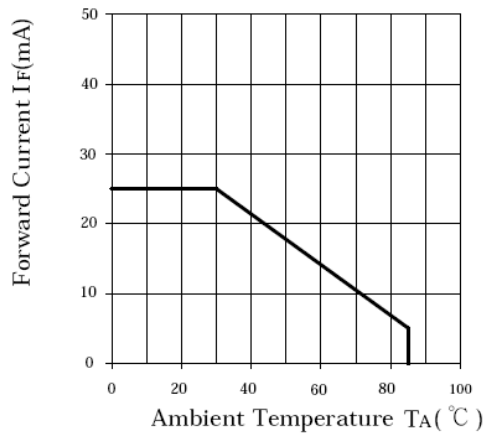
TYPICAL ELECTRO-OPTICAL CHARACTERISTIC CURVES



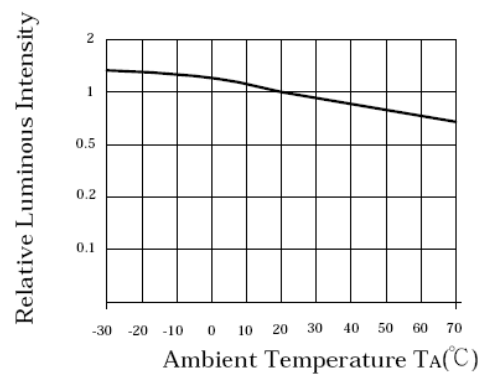
Forward Current Vs.
Forward Voltage



Luminous Intensity Vs.
Forward Current



Forward Current
Derating Curve



Luminous Intensity Vs.
Ambient Temperature