



American Opto Plus LED

L-513LEC-30D

5mm Dia LED LAMP - WATER CLEAR

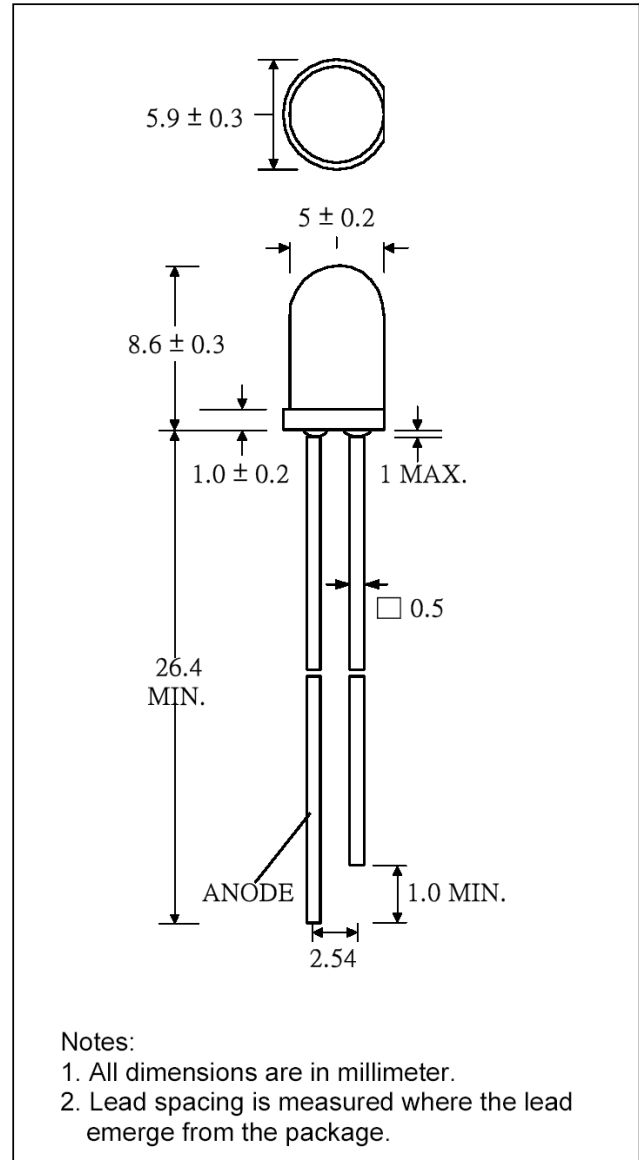
- ◆ 5.0mm DIA LED LAMP
- ◆ I.C. COMPATIBLE
- ◆ LOW POWER CONSUMPTION
- ◆ HIGH LUMINOUS INTENSITY

DESCRIPTION

- Super bright LED Lamp
- Round type
- T1-3/4 (5mm) diameter
- Lens color: Water clear
- With flange
- Solder leads without stand-off

FEATURES

- Emitted color: Super Red
- High luminous intensity
- Technology: AlGaInP
- Peak wavelength $\lambda_p = 640\text{nm}$
- Viewing angle: 30°



SELECTION GUIDE

Chip Material	Chip Emitted	Lens Color	Viewing Angle
AlGaInP	Super Red	Water Clear	30°



American Opto Plus LED

L-513LEC-30D

5mm Dia LED LAMP - WATER CLEAR

- ◆ 5.0mm DIA LED LAMP
- ◆ I.C. COMPATIBLE
- ◆ LOW POWER CONSUMPTION
- ◆ HIGH LUMINOUS INTENSITY

ABSOLUTE MAXIMUM RATINGS

(Ta=25°C)

Parameter	Symbol	Max Rating	Unit
Power Dissipation	P_D	80	mW
Forward Current	I_F	50	mA
Peak Forward Current	I_{PF}	200	mA
Reverse Voltage	V_R	5.0	V
Operating Temperature Range	T_{OPR}	-40~+85	°C
Storage Temperature Range	T_{STG}	-40~+85	°C

Solder temperature 1.6 mm from body for 5 seconds at 260°C

OPTICAL-ELECTRICAL CHARACTERISTICS

Parameter	Symbol	Test Condition	Min	Typ	Max	Unit
Luminous Intensity	I_v	$I_F = 20\text{mA}$	1200	1700		mcd
Forward Voltage	V_F	$I_F = 20\text{mA}$		2.0	2.6	V
Reverse Voltage	V_R	$I_R = 10\mu\text{A}$	5			V
Viewing Angle	2θ1/2	$I_F = 20\text{mA}$		30		deg.
Peak Wavelength	λ_P	$I_F = 20\text{mA}$		640		nm
Dominant Wavelength	λ_D	$I_F = 20\text{mA}$		625		nm
Spectral Half-width	$\Delta\lambda$	$I_F = 20\text{mA}$		20		nm

CHARACTERISTIC CURVES

