

SMT Power Inductors

Special Features

- High current capacity
- Ferrite bobbin core
- Low core loss for high frequency power applications
- Compact size
- Large terminal surface for excellent PCB bonding
- Operating temperature -30 to +100 °C
- Tape & reel packaged 1000/reel

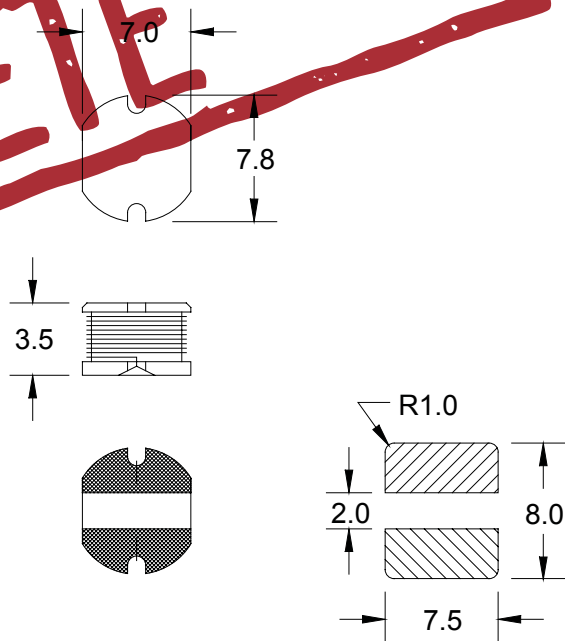
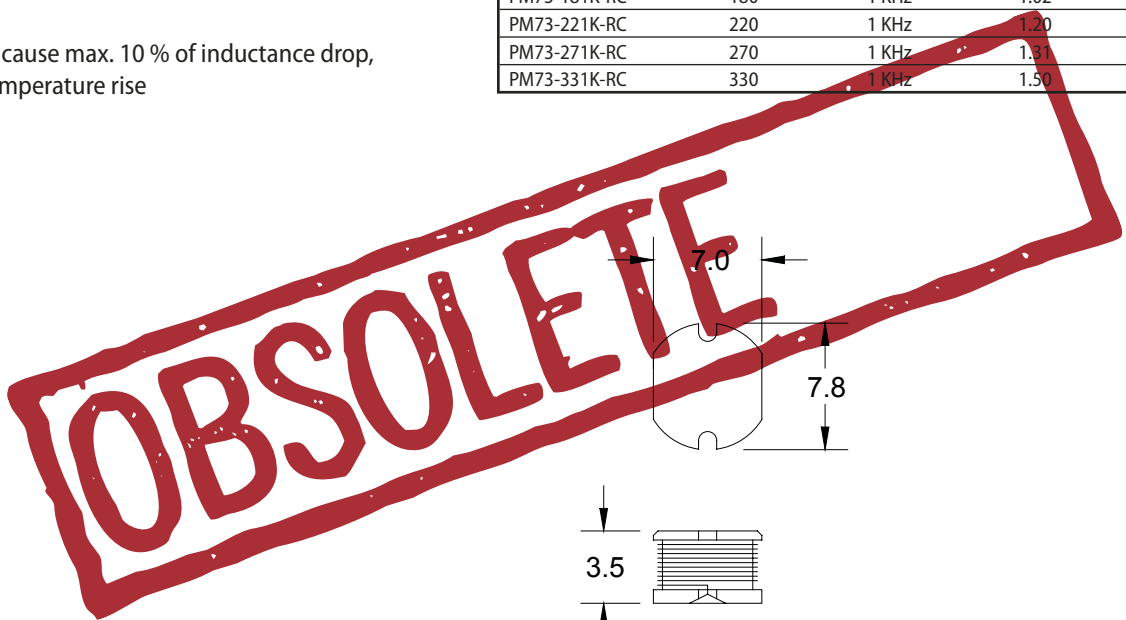
Typical Applications

- Notebook computers
- Battery chargers
- DC/DC converters
- Network cards
- Switching boards
- Industrial electronics
- Entertainment electronics devices

Notes

* Current to cause max. 10 % of inductance drop, or 40 °C temperature rise

PM73 Series				
Part Number	L (μH) ±20 %	Test Freq.	DCR (Ω) Max.	I, DC* (A)
PM73-100M-RC	10	2.52MHz	0.081	1.44
PM73-120M-RC	12	2.52MHz	0.090	1.39
PM73-150M-RC	15	2.52MHz	0.104	1.24
PM73-180M-RC	18	2.52MHz	0.111	1.12
PM73-220M-RC	22	2.52MHz	0.129	1.07
PM73-270M-RC	27	2.52MHz	0.153	0.94
PM73-330M-RC	33	2.52MHz	0.170	0.85
PM73-390M-RC	39	2.52MHz	0.217	0.74
PM73-470M-RC	47	2.52MHz	0.252	0.68
	±10 %			
PM73-560K-RC	56	2.52MHz	0.282	0.64
PM73-680K-RC	68	2.52MHz	0.332	0.59
PM73-820K-RC	82	2.52MHz	0.406	0.54
PM73-101K-RC	100	1 KHz	0.481	0.51
PM73-121K-RC	120	1 KHz	0.536	0.49
PM73-151K-RC	150	1 KHz	0.755	0.40
PM73-181K-RC	180	1 KHz	1.02	0.36
PM73-221K-RC	220	1 KHz	1.20	0.31
PM73-271K-RC	270	1 KHz	1.31	0.29
PM73-331K-RC	330	1 KHz	1.50	0.28



Dimensions: mm
Tolerance: -/+0.5

Pad Layout

BOURNS®

Tel. (877) 426-8767 • Fax (951) 781-5006

www.bourns.com