



## PM238-115-1751BT-4 PM238-230-1751BT-4

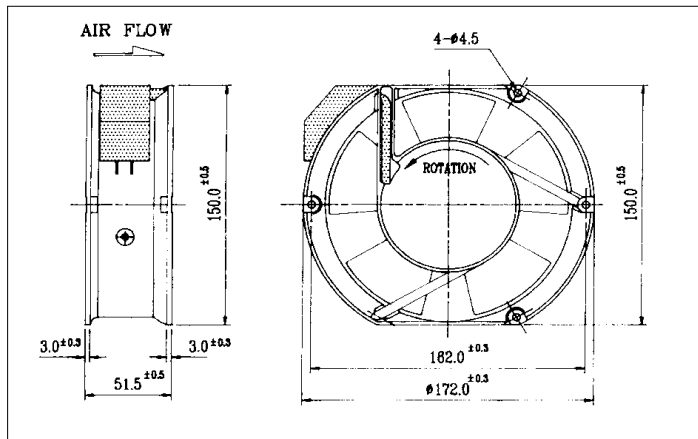
### Features

Size:	172 x 150 x 51 mm
Airflow:	238 CFM
Weight:	950 grams (33 oz)
Noise:	53 dBA
Terminal:	.120 inches
Impeller:	Reinforced Plastic (94V-0)
Frame:	Aluminum Alloy
Bearings:	Sealed Ball

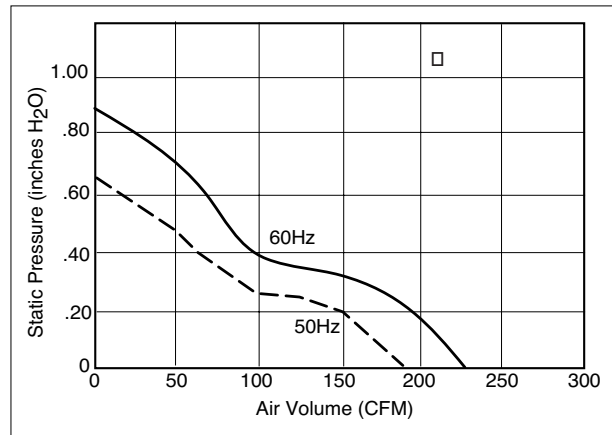
 UL E101153    
  CUL E101153

• RoHS Compliant

### Dimensions – inches mm



### Air Flow vs Air Pressure



### Performance

Type	Rated Voltage (V)	Operating Frequency (Hz)	Input Power (W) (@ 60 Hz)	Max Air Flow (CFM)	Max Air Pressure (In H <sub>2</sub> O)	Noise* (dBA)	Operating Temperature (°C)	Life Expectancy (Hr) (@ 20 ±15°C)
PM238-115-1751BT-4	115	50/60	32.0	238	0.79/0.83	53	-20~ +85	60,000
PM238-230-1751BT-4	230	50/60	38.0	238	0.79/0.83	53	-20~ +85	60,000

\*Measured 1 m from intake

Product specifications contained herein may be changed without prior notice.

It is therefore advisable to contact Purdy Electronics before proceeding with the design of equipment incorporating this product.