

PMX Series— Panel Mount Incremental Rotary Optical Encoder

BEI Industrial Encoders



The PM Series Panel Mount Encoder was developed to provide control manually. It is interchangeable with standard potentiometer type panel mounting, yet provides direct digital accuracy without A/D conversion and has an exponentially longer life expectancy.

The new BEI Panel Encoder is designed for applications where position control and analog to digital conversions require manual knob control. Standard output includes TTL quadrature with resolution up to 256. For zero referencing, an optional index is available.

Hybrid technology aids in reliable operation over a standard temperature range of 0° to 70°C. High reliability and accurate position control are possible by using non-contacting elements, including a slotted metal disc placed between a collimated infrared LED source and a common substrate sensor array. A strain relief is provided for securing of lead terminations.

BEI's new Panel Mount Encoder is ideal for audio, instrumentation, medical and other related markets where accurate manual control is necessary.

Mechanical Specifications

Dimensions: See Dimensions

Weight: 2 oz.

Shaft Loads: 2lbs. Axial, 1lb Radial

Torque: 1.0 oz. max.

Shaft Speed: 200 RPM max. (cont.)

Panel Thickness: 0.10" max.

Materials:

Housing: Polycarbonate

Bushing/Shaft: Metal

Code Disc: Stainless Steel

Electrical Specifications

Code: Incremental

Resolution: See ordering instructions

Supply Voltage: 5VDC±10% @ 60 mA max.

Output Format: TTL Dual Channel
20 mA Source, 0.4V max.
10 mA Source, 3.5V min.

Output Format Option: Index

Environmental Specifications

Temperature: Operating 0° to 70°C
Storage -25° to 90°C

Shock: 50 G's for 11ms duration

Vibration: 5Hz to 2kHz @ 20 G's

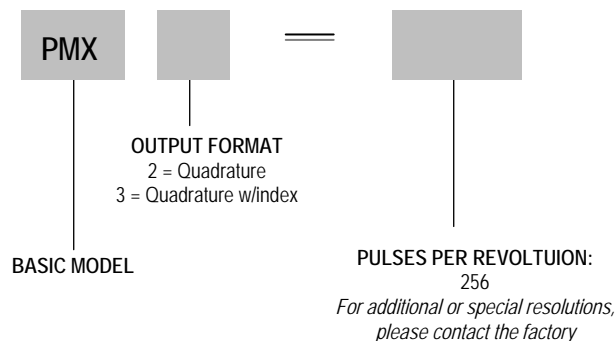
Termination Specifications

Type: 5 position terminal board

Pin Out: See Pin out

PMX Ordering Options for assistance, call 800.350.2727

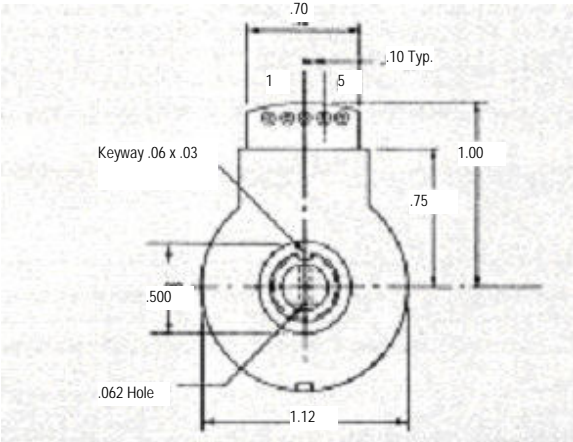
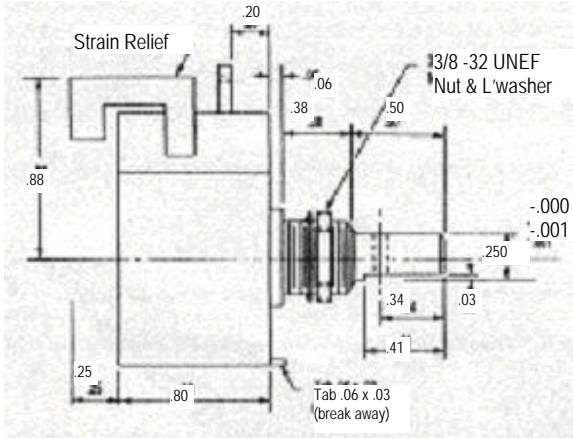
Use this diagram, working from left to right to construct your model number (example: **PM2-256**)



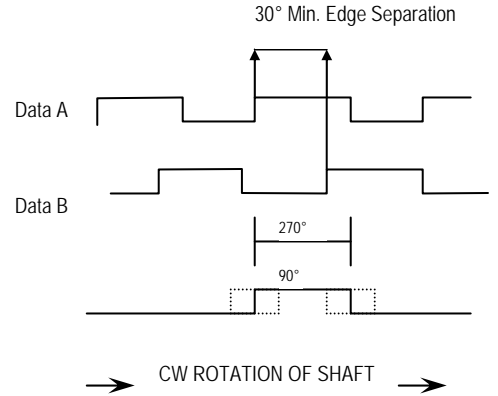
PMX Series— Panel Mount Incremental Rotary Optical Encoder

BEI Industrial Encoders

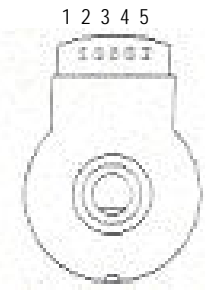
Dimensions



Waveforms



Pin out



- 1 Data B
- 2 Data A
- 3 +5 Volt
- 4 Index (option)
- 5 Ground

Label Identification

MODEL NUMBER



CUSTOMER PART NUMBER

DD / MM / YY

PART NUMBER

These commodities, technology or software if exported from the United States must be in accordance with the Bureau of Industry, and Security, Export Administration regulations. Diversion contrary to U.S law is prohibited.



Tel: 805-968-0782 /800-350-2727 | Fax: 805-968-3154 /800-960-2726 | 7230 Hollister Ave., Goleta, CA 93117-2807 | www.beiied.com
Specification No. 924-02119-001 Rev.11-09