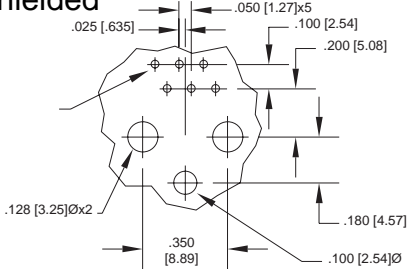


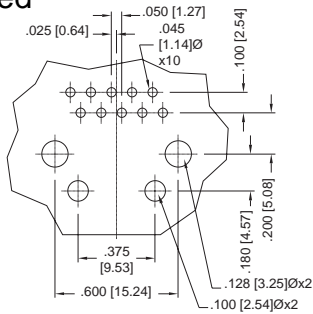
Variations

Footprint Configurations

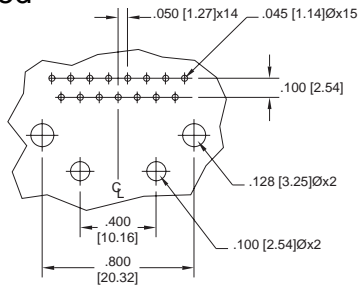
Six-Contact, Six-Position Shielded



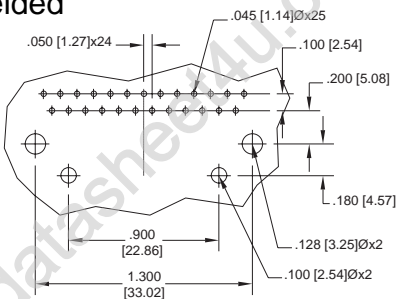
Ten-Contact, Ten-Position Shielded



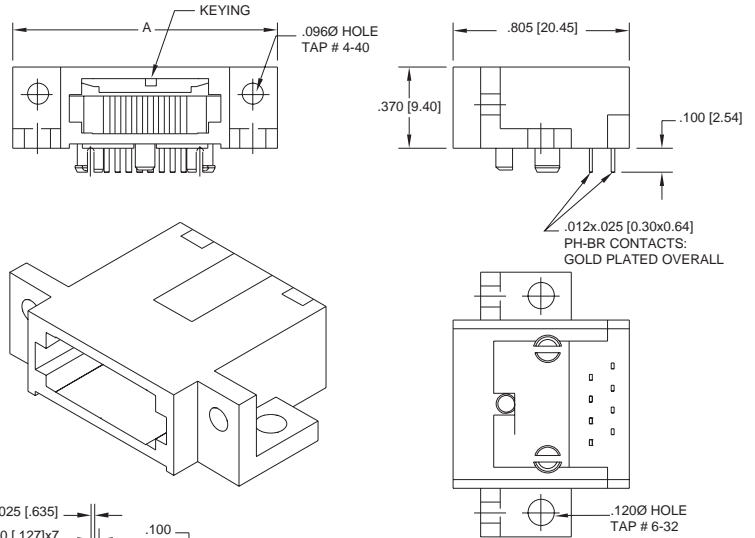
Fifteen-Contact, Fifteen-Position Shielded



Twenty-Five-Contact, Twenty-Five-Position Shielded



Eight-Contact, Eight-Position Shielded



Dimension Chart

Description	A
6-position	1.090 [27.69]
8-position*	1.210 [30.73]
10-position	1.310 [33.27]
15-position	1.540 [39.12]
25-position	2.080 [52.83]

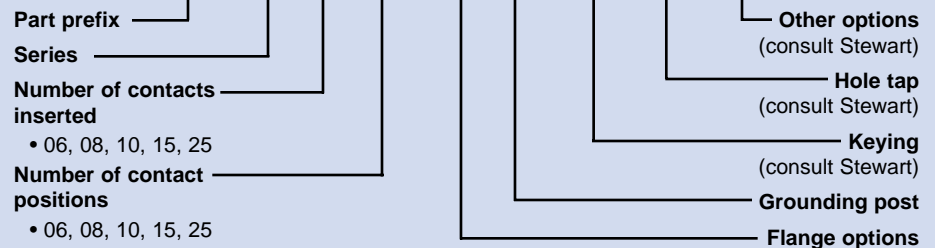
*Shown

Quick Reference Chart

Description			Options				Keying	Hole Tap (4/6)
Series	Contacts Inserted	Contact Positions	Flange Options					
			NF	LF	TLF	FF		
61	06	06	●	●	●	●	●	●
61	08	08	●	●	●	●	●	●
61	10	10	●	●	●	●	●	●
61	15	15	●	●	●	●	●	●
61	25	25	●	●	●	●	●	●

How to Order

EXAMPLE: SS - 61 08 08 - LF P - 5 - 4/6 - X



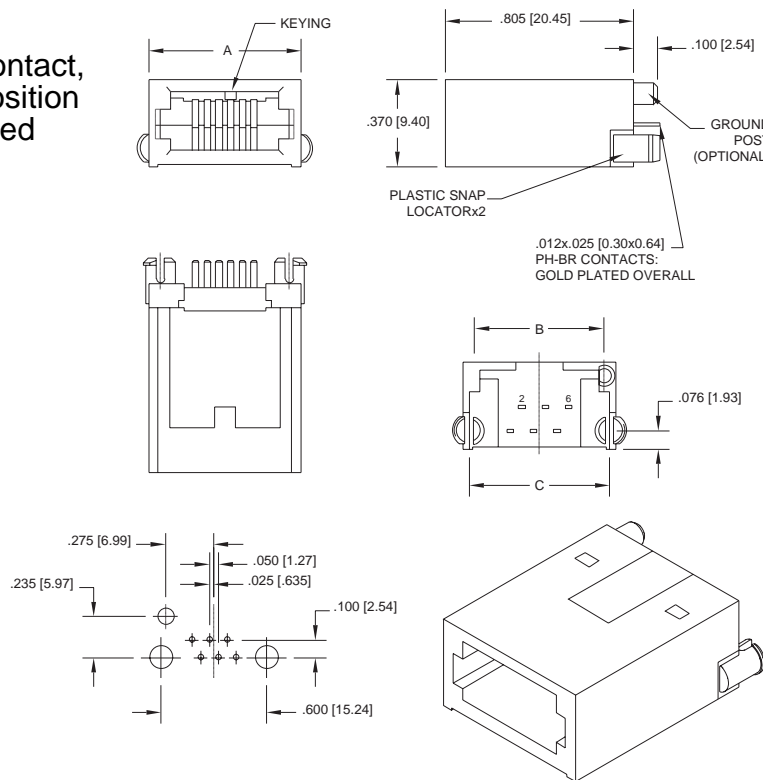
All dimensions are in inches with metric values in brackets.

Compu-shield® Modular Jacks

• Shielded • Vertical

62 Series

Six-Contact,
Six-Position
Shielded



Dimension Chart

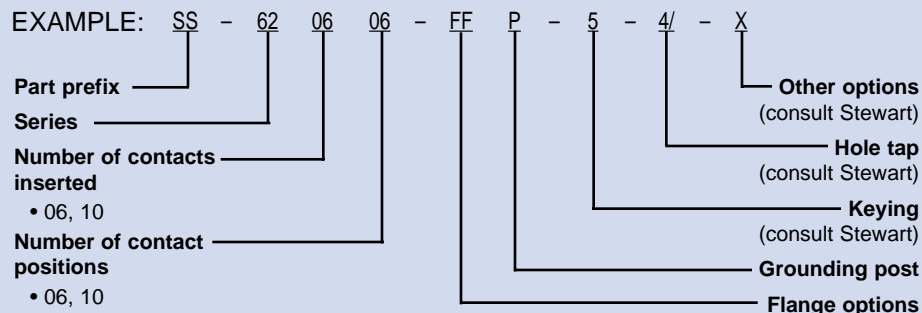
Description	A	B	C
6-position*	.650 [16.51]	.550 [13.97]	.600 [15.24]
10-position	.870 [22.10]	.770 [19.56]	.800 [20.32]

*Shown

Quick Reference Chart

Description				Options		Keying	Hole Tap (4/)
Series	Contacts Inserted	Contact Positions	Shielding	Flange Options			
				NF	FF		
62	06	06	●	●	●	●	●
62	10	10	●	●	●	●	●

How to Order

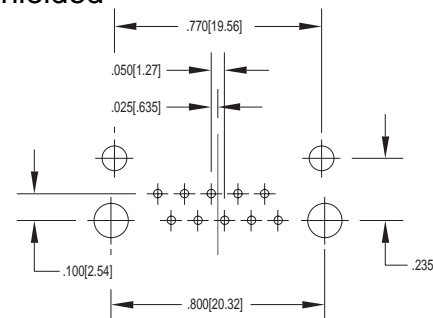


All dimensions are in inches with metric values in brackets.

Variations

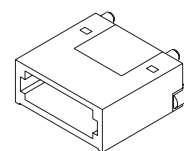
Footprint Configuration

Ten-Contact,
Ten-Position
Shielded

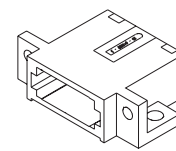


Flange Options

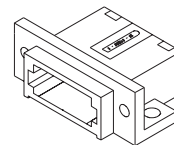
No Flange
(NF)



LF



TLF



FF

