

### GENERAL SPECIFICATION

Item	Content
Number of Character	16x4
Module Size	87.0(W)x60.0(H)x9.5/14.0(D)mm Max
Viewing Area	61.8(W)x25.2(H)mm
Character Size	2.95(W)x4.75(H)mm
Dot Size/Dot Pitch	0.55(W)x0.55(H)mm/0.60(W)x0.60(H)mm
Backlight	Without/EL/LED
Options	Gray STN/Yellow STN/Normal/Extended Temperature/Bottom/Top Viewing

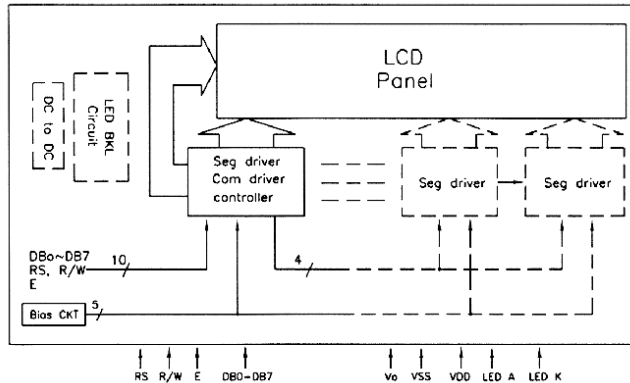
### INTERFACE PIN ASSIGNMENT

Pin No.	Pin Out	Function Description
1	V <sub>SS</sub>	Ground
2	V <sub>DD</sub>	Logic Circuit Power Supply
3	V <sub>O</sub>	Power Supply for LCD Panel
4	RS	Data/Instruction Register Select
5	R/W	Read/Write Select
6	E	Enable Signal
7~14	DB0~DB7	3-State I/O Data Bus
15	BKL1	Power Supply for Backlight. 100V/400Hz AC for EL, 4.2V or 120~180mA DC for LED backlight. Don't care if no backlight
16	BKL2	

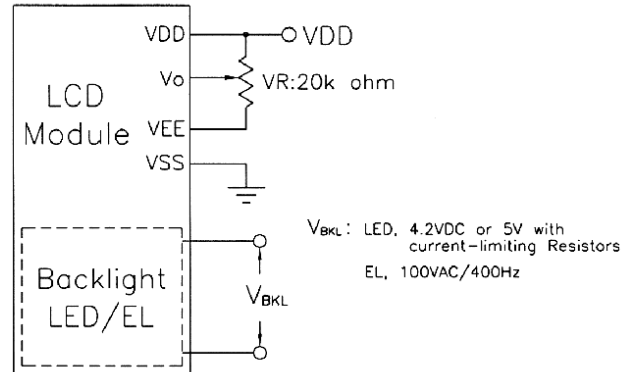
### ELECTRICAL CHARACTERISTICS

Item	Symbol	Condition	Min.	Typ.	Max.	Unit	Note
Power Supply for Logic	V <sub>DD</sub> -V <sub>SS</sub>	-	2.7	4.5	5.5	Volt	-
Input Voltage	V <sub>IL</sub>	L level	V <sub>SS</sub>	0.2V <sub>DD</sub>	-	Volt	-
	V <sub>IH</sub>	H level	0.8V <sub>DD</sub>	V <sub>DD</sub>	-	Volt	
LCM Recommend LCD Module Driving Voltage	V <sub>DD</sub> -V <sub>O</sub>	Ta=0°C	4.4	4.56	4.6	Volt	-
		Ta=25°C	4.2	4.4	4.6		
		Ta=50°C	3.9	4.02	4.2		
Power Supply Current for LCM	I <sub>DD</sub> (B/L OFF)	V <sub>DD</sub> =5.0V V <sub>DD</sub> -V <sub>O</sub> =4.4V	-	1.75	2.0	mA	-
	I <sub>LED</sub>	V <sub>LED</sub> =4.2V Ta=25°C	165	220	330		

### BLOCK DIAGRAM



### POWER SUPPLY



### MECHANICAL

