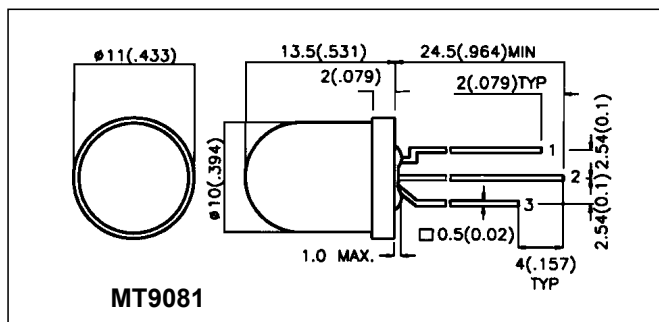
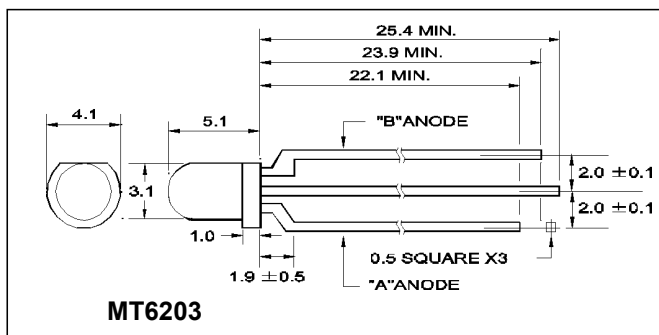


3 Leaded Tri-State LED Lamps

FEATURES

- Bi-color LED lamp
- White diffused lens



MAXIMUM RATINGS (Ta = 25°C)

PART NO.		FORWARD CURRENT (I _f) (A)	REVERSE VOLTAGE (V _R) (V)	POWER DISSIPATION (P _D) (mW)	OPERATING TEMPERATURE (T _{opr}) (°C)	STORAGE TEMPERATURE (T _{stg}) (°C)
MT6203-HRG	(HR)	30	5.0	85	-25~+85	-25~+100
	(G)	30	5.0	85	-25~+85	-25~+100
MT9081-HRG	(HR)	30	5.0	105	-40~+85	-40~+85
	(G)	25	5.0	105	-40~+85	-40~+85

OPTO-ELECTRICAL CHARACTERISTICS (Ta = 25°C)

PART NO.	MATERIAL	LENS COLOR	VIEWING ANGLE typ.	LUMINOUS INTENSITY (mcd)		FORWARD VOLTAGE (V)			REVERSE CURRENT		PEAK WAVE LENGTH	
				typ.	@mA	typ.	max.	@mA	µA	Vr	nm	
MT6203-HRG	(HR)	GaAsP/GaP	White Diff	50°	15.5	20	2.1	3.0	20	100	5	635
	(G)	GaP	White Diff	50°	13.3	20	2.1	3.0	20	100	5	567
MT9081-HRG	(HR)	GaAsP/GaP	White Diff	50°	40.0	20	2.0	2.5	20	10	5	625
	(G)	GaP	White Diff	50°	40.0	20	2.2	2.5	20	10	5	565



120 Broadway • Menands, New York 12204
Toll Free: (800) 98-4LEDS • Fax: (518) 432-7454