

FLASH MEMORY

MT28F322D20 MT28F322D18

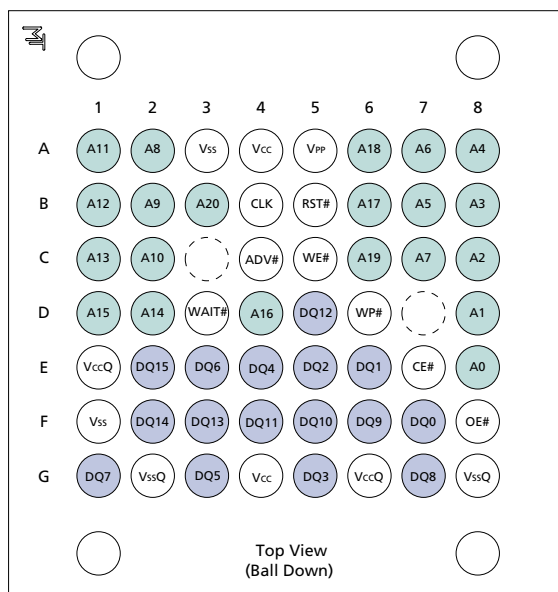
Low Voltage, Extended Temperature
0.18 μ m Process Technology

FEATURES

- Flexible dual-bank architecture
 - Support for true concurrent operation with zero latency
 - Read bank *a* during program bank *b* and vice versa
 - Read bank *a* during erase bank *b* and vice versa
- Basic configuration:
 - Seventy-one erasable blocks
 - Bank *a* (8Mb for data storage)
 - Bank *b* (24Mb for program storage)
- V_{CC}, V_{CCQ}, V_{PP} voltages
 - 1.70V (MIN), 1.90V (MAX) V_{CC}, V_{CCQ} (MT28F322D18 only)
 - 1.80V V_{CC}, V_{CCQ} (MIN); 2.20V V_{CC} (MAX) and 2.25V V_{CCQ} (MAX) (MT28F322D20 only)
 - 0.9V (TYP) V_{PP} (in-system PROGRAM/ERASE)
 - 12V \pm 5% (HV) V_{PP} tolerant (factory programming compatibility)
- Random access time: 70ns/80ns @ 1.70V V_{CC}
- Burst Mode read access (MT28F322D20)
 - MAX clock rate: 54 MHz (^tCLK = 18.5ns)
 - Burst latency: 70ns @ 1.80V V_{CC} and 54 MHz
 - ^tACLK: 17ns @ 1.80V V_{CC} and 54 MHz
- Page Mode read access¹
 - Eight-word page
 - Interpage read access: 70ns/80ns @ 1.80V
 - Intrapage read access: 30ns @ 1.80V
- Low power consumption (V_{CC} = 2.20V)
 - Asynchronous READ < 15mA (MAX)
 - Standby < 50 μ A
 - Automatic power saving feature (APS)
- Enhanced write and erase suspend options
 - ERASE-SUSPEND-to-READ within same bank
 - PROGRAM-SUSPEND-to-READ within same bank
 - ERASE-SUSPEND-to-PROGRAM within same bank
- Dual 64-bit chip protection registers for security purposes
- Cross-compatible command support
 - Extended command set
 - Common flash interface
- PROGRAM/ERASE cycle
 - 100,000 WRITE/ERASE cycles per block

NOTE: 1. Data based on MT28F322D20 device.
2. A "5" in the part mark represents two different frequencies: 54 MHz (MT28F322D20) or 52 MHz (MT28F322D18)

BALL ASSIGNMENT 58-Ball FBGA



NOTE: See page 7 for Ball Description Table.
See page 43 for mechanical drawing.

OPTIONS

- Timing
 - 70ns access -70
 - 80ns access -80
- Frequency
 - 54 MHz 5²
 - 40 MHz 4
 - No burst operation None
- Boot Block Configuration
 - Top T
 - Bottom B
- Package
 - 58-ball FBGA (8 x 7 ball grid) FH
- Operating Temperature Range
 - Extended (-40°C to +85°C) ET

MARKING

Part Number Example:
MT28F322D20FH-804 BET

GENERAL DESCRIPTION

The MT28F322D20 and MT28F322D18 are high-performance, high-density, nonvolatile Flash memory solutions that can significantly improve system performance. This new architecture features a two-memory-bank configuration that supports dual-bank operation with no latency.

A high-performance bus interface allows a fast burst or page mode data transfer; a conventional asynchronous bus interface is provided as well.

The devices allow soft protection for blocks, as read-only, by configuring soft protection registers with dedicated command sequences. For security purposes, two 64-bit chip protection registers are provided.

The embedded WORD WRITE and BLOCK ERASE functions are fully automated by an on-chip write state machine (WSM). Two on-chip status registers, one for each of the two memory partitions, can be used to monitor the WSM status and to determine the progress of the program/erase task.

The erase/program suspend functionality allows compatibility with existing EEPROM emulation software packages.

The devices are manufactured using 0.18µm process technology.

Please refer to the Micron Web site (www.micron.com/flash) for the latest data sheet.

ARCHITECTURE AND MEMORY ORGANIZATION

The Flash devices contain two separate banks of memory (bank *a* and bank *b*) for simultaneous READ and WRITE operations and are available in the following bank segmentation configuration:

- Bank *a* is one-fourth of the memory containing 8 x 4K-word parameter blocks, while the remainder of bank *a* is split into 15 x 32K-word blocks.
- Bank *b* represents three-fourths of the memory, is equally sectorized, and contains 48 x 32K-word blocks.

Figures 2 and 3 show the bottom and top memory organizations.

DEVICE MARKING

Due to the size of the package, Micron's standard part number is not printed on the top of each device. Instead, an abbreviated device mark comprised of a five-digit alphanumeric code is used. The abbreviated device marks are cross referenced to the Micron part numbers in Table 1.

Table 1
Cross Reference for Abbreviated Device Marks

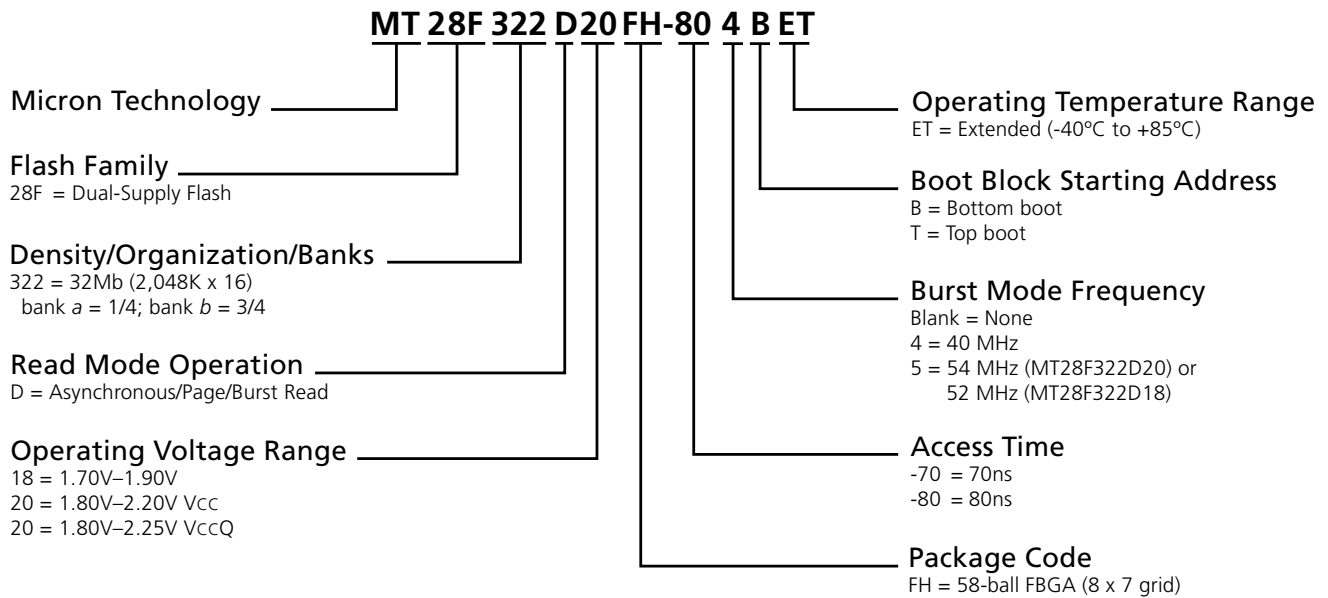
PART NUMBER	PRODUCT MARKING	SAMPLE MARKING	MECHANICAL SAMPLE MARKING
MT28F322D20FH-705 TET	FW546	FX546	FY546
MT28F322D20FH-705 BET	FW547	FX547	FY547
MT28F322D20FH-804 TET	FW548	FX548	FY548
MT28F322D20FH-804 BET	FW549	FX549	FY549
MT28F322D18FH-705 TET	FW558	FX558	FY558
MT28F322D18FH-705 BET	FW559	FX559	FY559
MT28F322D18FH-804 TET	FW543	FX543	FY543
MT28F322D18FH-804 BET	FW542	FX542	FY542

PART NUMBERING INFORMATION

Micron's low-power devices are available with several different combinations of features (see Figure 1).

Valid combinations of features and their corresponding part numbers are listed in Table 2.

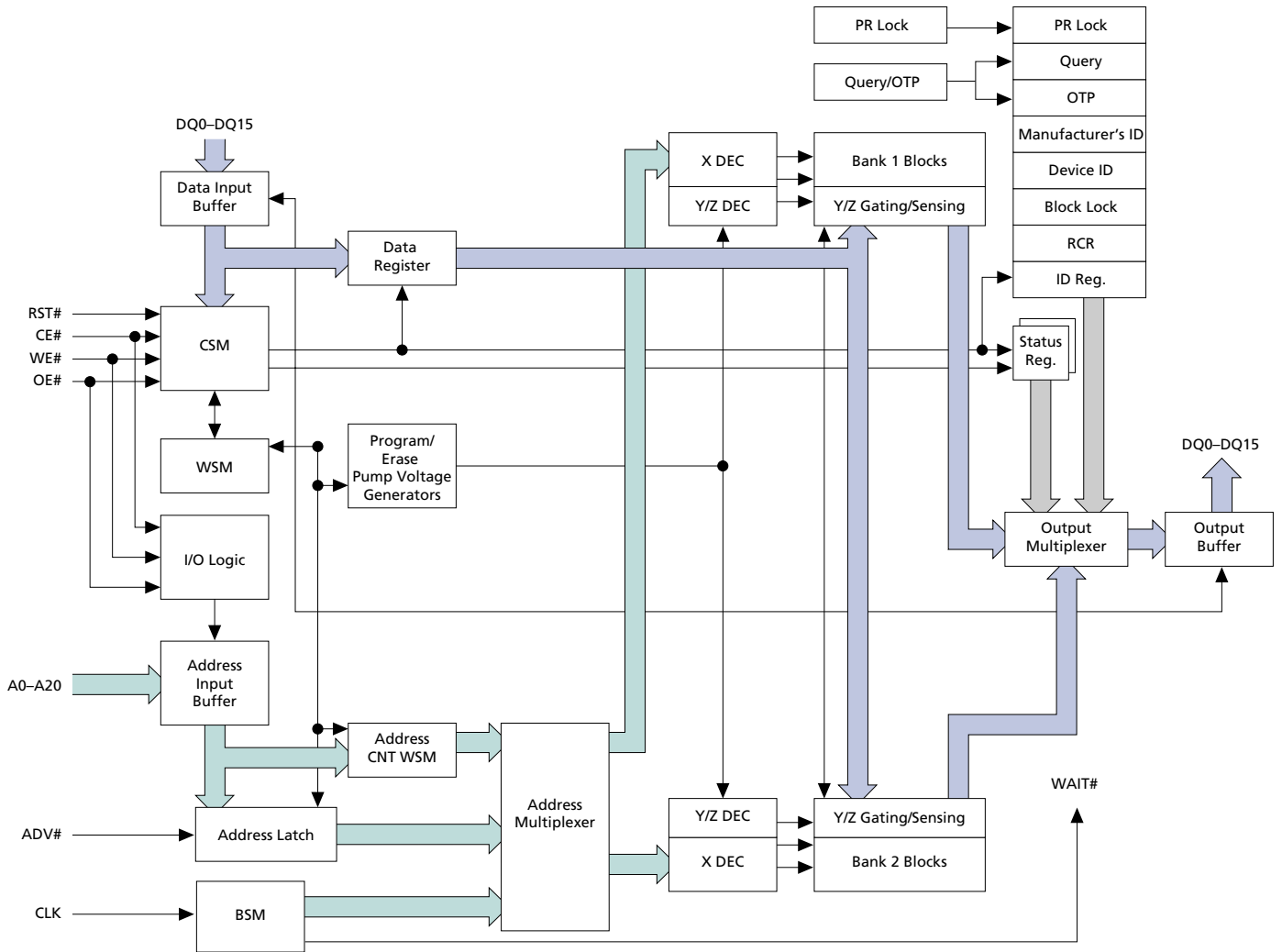
**Figure 1
Part Number Chart**



**Table 2
Valid Part Number Combinations**

PART NUMBER	ACCESS TIME (ns)	BOOT BLOCK STARTING ADDRESS	BURST FREQUENCY (MHz)	OPERATING TEMPERATURE RANGE
MT28F322D20FH-705 BET	70	Bottom	54	-40°C to +85°C
MT28F322D20FH-705 TET	70	Top	54	-40°C to +85°C
MT28F322D20FH-804 BET	80	Bottom	40	-40°C to +85°C
MT28F322D20FH-804 TET	80	Top	40	-40°C to +85°C
MT28F322D18FH-705 BET	70	Bottom	52	-40°C to +85°C
MT28F322D18FH-705 TET	70	Top	52	-40°C to +85°C
MT28F322D18FH-804 BET	80	Bottom	40	-40°C to +85°C
MT28F322D18FH-804 TET	80	Top	40	-40°C to +85°C

FUNCTIONAL BLOCK DIAGRAM



**Figure 2
Bottom Boot Block Device**

Bank b = 24Mb		
Block	Block Size (K-bytes/K-words)	Address Range (x16)
70	64/32	1F8000h-1FFFFFh
69	64/32	1F0000h-1F7FFFh
68	64/32	1E8000h-1EFFFFh
67	64/32	1E0000h-1E7FFFh
66	64/32	1D8000h-1DFFFFh
65	64/32	1D0000h-1D7FFFh
64	64/32	1C8000h-1CFFFFh
63	64/32	1C0000h-1C7FFFh
62	64/32	1B8000h-1BFFFFh
61	64/32	1B0000h-1B7FFFh
60	64/32	1A8000h-1AFFFFh
59	64/32	1A0000h-1A7FFFh
58	64/32	198000h-19FFFFh
57	64/32	190000h-197FFFh
56	64/32	188000h-18FFFFh
55	64/32	180000h-187FFFh
54	64/32	178000h-17FFFFh
53	64/32	170000h-177FFFh
52	64/32	168000h-16FFFFh
51	64/32	160000h-167FFFh
50	64/32	158000h-15FFFFh
49	64/32	150000h-157FFFh
48	64/32	148000h-14FFFFh
47	64/32	140000h-147FFFh
46	64/32	138000h-13FFFFh
45	64/32	130000h-137FFFh
44	64/32	128000h-12FFFFh
43	64/32	120000h-127FFFh
42	64/32	118000h-11FFFFh
41	64/32	110000h-117FFFh
40	64/32	108000h-10FFFFh
39	64/32	100000h-107FFFh
38	64/32	0F8000h-0FFFFFh
37	64/32	0F0000h-0F7FFFh
36	64/32	0E8000h-0EFFFFh
35	64/32	0E0000h-0E7FFFh
34	64/32	0D8000h-0DFFFFh
33	64/32	0D0000h-0D7FFFh
32	64/32	0C8000h-0CFFFFh
31	64/32	0C0000h-0C7FFFh
30	64/32	0B8000h-0BFFFFh
29	64/32	0B0000h-0B7FFFh
28	64/32	0A8000h-0AFFFFh
27	64/32	0A0000h-0A7FFFh
26	64/32	098000h-097FFFh
25	64/32	090000h-097FFFh
24	64/32	088000h-087FFFh
23	64/32	080000h-087FFFh

Bank a = 8Mb		
Block	Block Size (K-bytes/K-words)	Address Range (x16)
22	64/32	078000h-07FFFFh
21	64/32	070000h-077FFFh
20	64/32	068000h-067FFFh
19	64/32	060000h-067FFFh
18	64/32	058000h-05FFFFh
17	64/32	050000h-057FFFh
16	64/32	048000h-04FFFFh
15	64/32	040000h-047FFFh
14	64/32	038000h-03FFFFh
13	64/32	030000h-037FFFh
12	64/32	028000h-02FFFFh
11	64/32	020000h-027FFFh
10	64/32	018000h-01FFFFh
9	64/32	010000h-017FFFh
8	64/32	008000h-00FFFFh
7	8/4	007000h-007FFFh
6	8/4	006000h-006FFFh
5	8/4	005000h-005FFFh
4	8/4	004000h-004FFFh
3	8/4	003000h-003FFFh
2	8/4	002000h-002FFFh
1	8/4	001000h-001FFFh
0	8/4	000000h-000FFFh

**Figure 3
Top Boot Block Device**

Bank a = 8Mb		
Block	Block Size (K-bytes/K-words)	Address Range (x16)
70	8/4	1FF000h-1FFFFFh
69	8/4	1FE000h-1FEFFFh
68	8/4	1FD000h-1FDFFFh
67	8/4	1FC000h-1FCFFFh
66	8/4	1FB000h-1FBFFFh
65	8/4	1FA000h-1FAFFFh
64	8/4	1F9000h-1F9FFFh
63	8/4	1F8000h-1F8FFFh
62	64/32	1F0000h-1F7FFFh
61	64/32	1E8000h-1EFFFFh
60	64/32	1E0000h-1E7FFFh
59	64/32	1D8000h-1DFFFFh
58	64/32	1D0000h-1D7FFFh
57	64/32	1C8000h-1CFFFFh
56	64/32	1C0000h-1C7FFFh
55	64/32	1B8000h-1BFFFFh
54	64/32	1B0000h-1B7FFFh
53	64/32	1A8000h-1AFFFFh
52	64/32	1A0000h-1A7FFFh
51	64/32	198000h-19FFFFh
50	64/32	190000h-197FFFh
49	64/32	188000h-18FFFFh
48	64/32	180000h-187FFFh

Bank b = 24Mb		
Block	Block Size (K-bytes/K-words)	Address Range (x16)
47	64/32	178000h-17FFFFh
46	64/32	170000h-177FFFh
45	64/32	168000h-16FFFFh
44	64/32	160000h-167FFFh
43	64/32	158000h-15FFFFh
42	64/32	150000h-157FFFh
41	64/32	148000h-14FFFFh
40	64/32	140000h-147FFFh
39	64/32	138000h-13FFFFh
38	64/32	130000h-137FFFh
37	64/32	128000h-12FFFFh
36	64/32	120000h-127FFFh
35	64/32	118000h-11FFFFh
34	64/32	110000h-117FFFh
33	64/32	108000h-10FFFFh
32	64/32	100000h-107FFFh
31	64/32	0F8000h-0FFFFFh
30	64/32	0F0000h-0F7FFFh
29	64/32	0E8000h-0EFFFFh
28	64/32	0E0000h-0E7FFFh
27	64/32	0D8000h-0DFFFFh
26	64/32	0D0000h-0D7FFFh
25	64/32	0C8000h-0CFFFFh
24	64/32	0C0000h-0C7FFFh
23	64/32	0B8000h-0BFFFFh
22	64/32	0B0000h-0B7FFFh
21	64/32	0A8000h-0AFFFFh
20	64/32	0A0000h-0A7FFFh
19	64/32	098000h-09FFFFh
18	64/32	090000h-097FFFh
17	64/32	088000h-08FFFFh
16	64/32	080000h-087FFFh
15	64/32	078000h-07FFFFh
14	64/32	070000h-077FFFh
13	64/32	068000h-06FFFFh
12	64/32	060000h-067FFFh
11	64/32	058000h-05FFFFh
10	64/32	050000h-057FFFh
9	64/32	048000h-04FFFFh
8	64/32	040000h-047FFFh
7	64/32	038000h-03FFFFh
6	64/32	030000h-037FFFh
5	64/32	028000h-02FFFFh
4	64/32	020000h-027FFFh
3	64/32	018000h-01FFFFh
2	64/32	010000h-017FFFh
1	64/32	008000h-00FFFFh
0	64/32	000000h-007FFFh

BALL DESCRIPTIONS

58-BALL FBGA NUMBERS	SYMBOL	TYPE	DESCRIPTION
E8, D8, C8, B8, A8, B7, A7, C7, A2, B2, C2, A1, B1, C1, D2, D1, D4, B6, A6, C6, B3	A0–A20	Input	Address Inputs: Inputs for the addresses during READ and WRITE operations. Addresses are internally latched during READ and WRITE cycles.
B4	CLK	Input	Clock: Synchronizes the Flash memory to the system operating frequency during synchronous burst mode READ operations. When configured for synchronous burst mode READs, address is latched on the first rising (or falling, depending upon the read configuration register setting) CLK edge when ADV# is active or upon a rising ADV# edge, whichever occurs first. CLK is ignored during asynchronous access READ and WRITE operations and during READ PAGE ACCESS operations. ¹
C4	ADV#	Input	Address Valid: Indicates that a valid address is present on the address inputs. Addresses are latched on the rising edge of ADV# during READ and WRITE operations. ADV# may be tied active during asynchronous READ and WRITE operations. ¹
A5	V _{PP}	Input	Program/Erase Enable: [0.9V–1.95V or 11.4V–12.6V] Operates as input at logic levels to control complete device protection. Provides factory programming compatibility when driven to 11.4V–12.6V.
E7	CE#	Input	Chip Enable: Activates the device when LOW. When CE# is HIGH, the device is disabled and goes into standby power mode.
F8	OE#	Input	Output Enable: Enables the output buffers when LOW. When OE# is HIGH, the output buffers are disabled.
C5	WE#	Input	Write Enable: Determines if a given cycle is a WRITE cycle. If WE# is LOW, the cycle is either a WRITE to the command state machine (CSM) or to the memory array.
B5	RST#	Input	Reset: When RST# is a logic LOW, the device is in reset mode, which drives the outputs to High-Z and resets the write state machine. When RST# is at logic HIGH, the device is in standard operation. When RST# transitions from logic LOW to logic HIGH, the device resets all blocks to locked and defaults to the read array mode.
D6	WP#	Input	Write Protect: Controls the lock down function of the flexible locking feature.
F7, E6, E5, G5, E4, G3, E3, G1, G7, F6, F5, F4, D5, F3, F2, E2	DQ0–DQ15	Input/ Output	Data Inputs/Outputs: Inputs array data on the second CE# and WE# cycle during PROGRAM command. Inputs commands to the command user interface when CE# and WE# are active. DQ0–DQ15 output data when CE# and OE# are active.
D3	WAIT#	Output	Wait: Provides data valid feedback during continuous burst read access. The signal is gated by OE# and CE#. This signal is always kept at a valid logic level.

NOTE: 1. The CLK and ADV# inputs can be tied to V_{ss} if the device is always operating in asynchronous or page mode. The WAIT# signal can be ignored when operating in asynchronous or page mode, as it is always held at logic “1” or “0,” depending on the RCR8 setting (see Table 8).

(continued on next page)

BALL DESCRIPTIONS (continued)

58-BALL FBGA NUMBERS	SYMBOL	TYPE	DESCRIPTION
A4, G4	V _{cc}	Supply	Device Power Supply: [1.70V–1.90V (MT28F322D18) or 1.80V–2.20V (MT28F322D20)] Supplies power for device operation.
E1, G6	V _{ccQ}	Supply	I/O Power Supply: [1.70V–1.90V (MT28F322D18) or 1.80V–2.25V (MT28F322D20)] Supplies power for input/output buffers.
G2, G8	V _{ssQ}	Supply	I/O Ground. Do not float any ground ball.
A3, F1	V _{ss}	Supply	Do not float any ground ball.
C3, D7	–	–	Contact ball is not physically present.

COMMAND STATE MACHINE (CSM)

Commands are issued to the command state machine (CSM) using standard microprocessor write timings. The CSM acts as an interface between external microprocessors and the internal write state machine (WSM). The available commands are listed in Table 3, their definitions are given in Table 4, and their descriptions in Table 5. Program and erase algorithms are automated by an on-chip WSM. (For more specific information about the CSM transition states, see Micron technical note TN-28-33, "Command State Machine Description and Command Definition.")

Once a valid PROGRAM/ERASE command is entered, the WSM executes the appropriate algorithm, which generates the necessary timing signals to control the device internally to accomplish the requested operation. A command is valid only if the exact sequence of WRITES is completed. After the WSM completes its task, the WSM status bit (SR7) (see Table 7) is set to a logic HIGH level (1), allowing the CSM to respond to the full command set again.

OPERATIONS

Device operations are selected by entering a standard JEDEC 8-bit command code with conventional microprocessor timings into an on-chip CSM through I/Os DQ0–DQ7. The number of bus cycles required to activate a command is typically one or two. The first operation is always a WRITE. Control signals CE#, ADV#, and WE# must be at a logic LOW level (V_{IL}), and OE# and RST# must be at logic HIGH (V_{IH}). The second operation, when needed, can be a WRITE or a READ depending upon the command. During a READ operation, control signals

CE#, ADV#, and OE# must be at a logic LOW level (V_{IL}), and WE# and RST# must be at logic HIGH (V_{IH}).

Table 6 illustrates the bus operations for all the modes: write, read, reset, standby, and output disable.

When the device is powered up, internal reset circuitry initializes the chip to a read array mode of operation. Changing the mode of operation requires that a command code be entered into the CSM. For each one of the two memory partitions, an on-chip status register is available. These two registers allow the progress of the various operations that can take place on a memory bank to be monitored. One of the two status registers is interrogated by entering a READ STATUS REGISTER command onto the CSM (cycle 1), specifying an address within the memory partition boundary, and reading the register data on I/Os DQ0–DQ7 (cycle 2). Status register bits SR0–SR7 correspond to DQ0–DQ7 (see Table 7).

COMMAND DEFINITION

Once a specific command code has been entered, the WSM executes an internal algorithm, generating the necessary timing signals to program, erase, and verify data. See Table 4 for the CSM command definitions and data for each of the bus cycles.

STATUS REGISTER

The status register allows the user to determine whether the state of a PROGRAM/ERASE operation is pending or complete. The status register is monitored by toggling OE# and CE# and reading the resulting status code on I/Os DQ0–DQ7. The high-order I/Os (DQ8–DQ15)

**Table 3
Command State Machine Codes For Device Mode Selection**

COMMAND DQ0–DQ7	CODE ON DEVICE MODE
40h/10h	Program setup/alternate program setup
20h	Block erase setup
50h	Clear status register
60h	Protection configuration setup
60h	Set read configuration register
70h	Read status register
90h	Read protection configuration register
98h	Read query
B0h	Program/erase suspend
C0h	Protection register program/lock
D0h	Program/erase resume – erase confirm
FFh	Read array

are set to 00h internally, so only the low-order I/Os (DQ0–DQ7) need to be interpreted. Address lines select the status register pertinent to the selected memory partition.

Register data is updated and latched on the falling edge of ADV# or rising (falling) CLK when ADV# is LOW during synchronous burst mode or on the falling edge of OE# or CE#, whichever occurs last. Latching the data prevents errors from occurring if the register input changes during a status register monitoring.

The status register provides the internal state of the WSM to the external microprocessor. During periods when the WSM is active, the status register can be polled to determine the WSM status. Table 7 defines the status register bits.

After monitoring the status register during a PROGRAM/ERASE operation, the data appearing on DQ0–DQ7 remains as status register data until a new command is issued to the CSM. To return the device to

other modes of operation, a new command must be issued to the CSM.

COMMAND STATE MACHINE OPERATIONS

The CSM decodes instructions for read array, read protection configuration register, read query, read status register, clear status register, program, erase, erase suspend, erase resume, program suspend, program resume, lock block, unlock block and lock down block, chip protection program, and set read configuration register. The 8-bit command code is input to the device on DQ0–DQ7 (see Table 3 for CSM codes and Table 4 for command definitions). During a PROGRAM or ERASE cycle, the CSM informs the WSM that a PROGRAM or ERASE cycle has been requested.

During a PROGRAM cycle, the WSM controls the program sequences and the CSM responds to a PROGRAM SUSPEND command only.

**Table 4
Command Definitions**

COMMAND	FIRST BUS CYCLE			SECOND BUS CYCLE		
	OPERATION	ADDRESS ¹	DATA	OPERATION	ADDRESS ¹	DATA ¹
READ ARRAY	WRITE	WA	FFh			
READ PROTECTION CONFIGURATION REGISTER	WRITE	IA	90h	READ	IA	ID
READ STATUS REGISTER	WRITE	BA	70h	READ	X	SRD
CLEAR STATUS REGISTER	WRITE	BA	50h			
READ QUERY	WRITE	QA	98h	READ	QA	QD
BLOCK ERASE SETUP	WRITE	BA	20h	WRITE	BA	D0h
PROGRAM SETUP/ALTERNATE PROGRAM SETUP	WRITE	WA	40h/10h	WRITE	WA	WD
PROGRAM/ERASE SUSPEND	WRITE	BA	B0h			
PROGRAM/ERASE RESUME – ERASE CONFIRM	WRITE	BA	D0h			
LOCK BLOCK	WRITE	BA	60h	WRITE	BA	01h
UNLOCK BLOCK	WRITE	BA	60h	WRITE	BA	D0h
LOCK DOWN BLOCK	WRITE	BA	60h	WRITE	BA	2Fh
PROTECTION REGISTER PROGRAM	WRITE	PA	C0h	WRITE	PA	PD
PROTECTION REGISTER LOCK	WRITE	LPA	C0h	WRITE	LPA	FFDh
SET READ CONFIGURATION REGISTER	WRITE	RCD	60h	WRITE	RCD	03h

NOTE: 1. BA: Address within the block
 IA: Identification code address
 ID: Identification code data
 LPA: Lock protection register address
 PA: Protection register address
 PD: Data to be written at the location PA
 QA: Query code address
 QD: Query code data
 RCD: Data to be written in the read configuration register
 SRD: Data read from the status register
 WA: Word address of memory location to be written, or read
 WD: Data to be written at the location WA
 X: "Don't Care"

**Table 5
Command Descriptions**

CODE	DEVICE MODE	BUS CYCLE	DESCRIPTION
10h	Alt. Program Setup	First	Operates the same as PROGRAM SETUP command
20h	Erase Setup	First	Prepares the CSM for the ERASE CONFIRM command. If the next command is not an ERASE CONFIRM command, the command will be ignored, and the bank will go to read status mode and wait for another command.
40h	Program Setup	First	A two-cycle command: The first cycle prepares for a PROGRAM operation, and the second cycle latches addresses and data and initiates the WSM to execute the program algorithm. The flash outputs status register data on the rising edge of ADV#, or on the rising clock edge when ADV# is LOW during synchronous burst mode, or on the falling edge of OE# or CE#, whichever occurs first.
50h	Clear Status Register	First	The WSM can set the block lock status (SR1), VPP status (SR3), program status (SR4), and erase status (SR5) bits in the status register to "1," but it cannot clear them to "0." Issuing this command clears those bits to "0."
60h	Protection Configuration Setup	First	Prepares the CSM for changes to the block locking status. If the next command is not BLOCK UNLOCK, BLOCK LOCK or BLOCK LOCK DOWN the command will be ignored, and the device will go to read status mode.
	Set Read Configuration Register	First	Puts the device into the set read configuration mode so that it will be possible to set the option bits related to burst read mode.
70h	Read Status Register	First	This command places the device into a read status register mode. Reading the device will output the contents of the status register for the addressed bank. The device will automatically enter this mode for the addressed bank after a PROGRAM or ERASE operation has been initiated.
90h	Read Protection Configuration	First	Puts the device into the read protection configuration mode so that reading the device will output the manufacturer/device codes, block lock status, protection register, or protection register lock status.
98h	Read Query	First	Puts the device into the read query mode so that reading the device will output common flash interface information.
B0h	Program/Erase Suspend	First	Issuing this command will suspend the currently executing PROGRAM/ERASE operation. The status register will indicate when the operation has been successfully suspended by setting either the program suspend (SR2) or erase suspend (SR6), and the WSM status bit (SR7) to a "1" (ready). The WSM will continue to idle in the suspend state, regardless of the state of all input control signals except RST#, which will immediately shut down the WSM and the remainder of the chip if RST# is driven to VIL.
C0h	Program Device Protection Register	First	Writes a specific code into the device protection register.
	Lock Device Protection Register	First	Locks the device protection register; data can no longer be changed.

(continued on next page)

**Table 5
Command Descriptions (continued)**

CODE	DEVICE MODE	BUS CYCLE	DESCRIPTION
D0h	Erase Confirm	Second	If the previous command was an ERASE SETUP command, then the CSM will close the address and data latches, and it will begin erasing the block indicated on the address pins. During programming/erase, the device will respond only to the READ STATUS REGISTER, PROGRAM SUSPEND, or ERASE SUSPEND commands. It will output status register data on the rising edge of ADV#, or on the rising clock edge when ADV# is LOW during synchronous burst mode, or on the falling edge of OE# or CE#, whichever occurs last.
	Program/Erase Resume	First	If a PROGRAM or ERASE operation was previously suspended, this command will resume the operation.
FFh	Read Array	First	During read array mode, array data will be output on the data bus.
01h	Lock Block	Second	If the previous command was PROTECTION CONFIGURATION SETUP, the CSM will latch the address and lock the block indicated on the address bus.
03h	Read Configuration Register Data	Second	If the previous command was SET READ CONFIGURATION REGISTER, the configuration bits presented on the address bus will be stored into the read configuration register.
2Fh	Lock Down	Second	If the previous command was PROTECTION CONFIGURATION SETUP, the CSM will latch the address and lock down the block indicated on the address bus.
D0h	Unlock Block	Second	If the previous command was PROTECTION CONFIGURATION SETUP, the CSM will latch the address and unlock the block indicated on the address bus. If the block had been previously set to lock down, this operation will have no effect.
00h	Invalid/Reserved		Unassigned command that should not be used.

During an ERASE cycle, the CSM responds to an ERASE SUSPEND command only. When the WSM has completed its task, the WSM status bit (SR7) is set to a logic HIGH level and the CSM responds to the full command set. The CSM stays in the current command state until the microprocessor issues another command.

The WSM successfully initiates an ERASE or PROGRAM operation only when V_{PP} is within its correct voltage range.

CLEAR STATUS REGISTER

The internal circuitry can set, but not clear, the block lock status bit (SR1), the V_{PP} status bit (SR3), the program status bit (SR4), and the erase status bit (SR5) of the status register. The CLEAR STATUS REGISTER command (50h) allows the external microprocessor to clear these status bits and synchronize to the internal operations. When the status bits are cleared, the device returns to the read array mode.

READ OPERATIONS

The following READ operations are available: READ ARRAY, READ PROTECTION CONFIGURATION REGISTER, READ QUERY and READ STATUS REGISTER.

READ ARRAY

The array is read by entering the command code FFh on DQ0–DQ7. Control signals CE#, ADV#, and OE# must be at a logic LOW level (V_{IL}) and WE# and RST# must be at a logic HIGH level (V_{IH}) to read data from the array. Data is available on DQ0–DQ15. Any valid address within any of the blocks selects that address and allows data to be read from that address. Upon initial power-up or device reset, the device defaults to the read array mode.

READ PROTECTION CONFIGURATION DATA

The read protection configuration mode outputs five types of information: the manufacturer/device identifier, the block locking status, the read configuration reg-

ister, the protection register, and PR lock status. Two bus cycles are required for this operation: the chip identification data is read by entering the command code 90h on DQ0–DQ7 to the bank containing address 00h and the identification code address on the address lines. Control signals CE#, ADV#, and OE# must be at a logic LOW level (V_{IL}), and WE# and RST# must be at a logic HIGH level (V_{IH}) to read data from the protection configuration register. Data is available on DQ0–DQ15. After data is read from the protection configuration register, the READ ARRAY command, FFh, must be issued to the bank containing address 00h prior to issuing other commands. See Table 12 for further details.

READ QUERY

The read query mode outputs common flash interface (CFI) data when the device is read (see Table 16). Two bus cycles are required for this operation. It is possible to access the query by writing the read query command code 98h on DQ0–DQ7 to the bank containing address 0h. Control signals CE#, ADV#, and OE# must be at a logic LOW level (V_{IL}) and WE# and RST# must be at a logic HIGH level (V_{IH}) to read data from the query. The CFI data structure contains information such as block size, density, command set, and electrical specifications. To return to read array mode, write the read array command code FFh on DQ0–DQ7.

READ STATUS REGISTER

The status register is read by entering the command code 70h on DQ0–DQ7. Two bus cycles are required for this operation: one to enter the command code and a second to read the status register. The address for both cycles must be in the same partition. In a READ cycle, the address is latched on the rising edge of the ADV# signal. Register data is updated and latched on the falling edge of ADV# or rising (falling) CLK when ADV# is LOW during burst mode, or on the falling edge of OE# or CE#, whichever occurs last.

**Table 6
Bus Operations**

MODE	RST#	CE#	ADV#	OE#	WE#	ADDRESS	DQ0–DQ15
Read (array, status registers, device identification register, or query)	V _{IH}	V _{IL}	V _{IL}	V _{IL}	V _{IH}	X	Dout
Standby	V _{IH}	V _{IH}	X	X	X	X	High-Z
Output disable	V _{IH}	V _{IH}	X	X	X	X	High-Z
Reset	V _{IL}	X	X	X	X	X	High-Z
Write	V _{IH}	V _{IL}	V _{IL}	V _{IH}	V _{IL}	X	DIN

**Table 7
Status Register Bit Definitions**

WSMS	ESS	ES	PS	VPPS	PSS	BLS	R
7	6	5	4	3	2	1	0

STATUS BIT #	STATUS REGISTER BIT	DESCRIPTION
SR7	WRITE STATE MACHINE STATUS (WSMS) 1 = Ready 0 = Busy	Check write state machine bit first to determine word program or block erase completion, before checking program or erase status bits.
SR6	ERASE SUSPEND STATUS (ESS) 1 = BLOCK ERASE Suspended 0 = BLOCK ERASE in Progress/Completed	When ERASE SUSPEND is issued, WSM halts execution and sets both WSMS and ESS bits to "1." ESS bit remains set to "1" until an ERASE RESUME command is issued.
SR5	ERASE STATUS (ES) 1 = Error in Block Erasure 0 = Successful BLOCK ERASE	When this bit is set to "1," WSM has applied the maximum number of erase pulses to the block and is still unable to verify successful block erasure.
SR4	PROGRAM STATUS (PS) 1 = Error in PROGRAM 0 = Successful PROGRAM	When this bit is set to "1," WSM has attempted but failed to program a word.
SR3	VPP STATUS (VPPS) 1 = VPP Low Detect, Operation Abort 0 = VPP = OK	The VPP status bit does not provide continuous indication of the VPP level. The WSM interrogates the VPP level only after the program or erase command sequences have been entered and informs the system if VPP < 0.9V. The VPP level is also checked before the PROGRAM/ERASE is verified by the WSM.
SR2	PROGRAM SUSPEND STATUS (PSS) 1 = PROGRAM Suspended 0 = PROGRAM in Progress/Completed	When PROGRAM SUSPEND is issued, WSM halts execution and sets both WSMS and PSS bits to "1." PSS bit remains set to "1" until a PROGRAM RESUME command is issued.
SR1	BLOCK LOCK STATUS (BLS) 1 = PROGRAM/ERASE Attempted on a Locked Block; Operation Aborted 0 = No Operation to Locked Blocks	If a PROGRAM or ERASE operation is attempted to one of the locked blocks, this is set by the WSM. The operation specified is aborted and the device is returned to read status mode.
SR0	RESERVED FOR FUTURE ENHANCEMENT	This bit is reserved for future use.

PROGRAMMING OPERATIONS

There are two CSM commands for programming: PROGRAM SETUP and ALTERNATE PROGRAM SETUP (see Table 3).

After the desired command code is entered (10h or 40h command code on DQ0–DQ7), the WSM takes over and correctly sequences the device to complete the PROGRAM operation. Monitoring of the WRITE operation is possible through the status register (see the Status Register section). During this time, the CSM responds only to a PROGRAM SUSPEND command until the PROGRAM operation has been completed, after which all commands to the CSM become valid again. The PROGRAM operation can be suspended by issuing a PROGRAM SUSPEND command (B0h). Once the WSM has reached the suspend state, it allows the CSM to respond only to READ ARRAY, READ STATUS REGISTER, READ PROTECTION CONFIGURATION, READ QUERY, PROGRAM SETUP, or PROGRAM RESUME. During the PROGRAM SUSPEND operation, array data should be read from an address other than the one being programmed. To resume the PROGRAM operation, a PROGRAM RESUME command (D0h) must be issued to cause the CSM to clear the suspend state previously set (see Figure 4 for programming operation and Figure 5 for program suspend and program resume).

Taking RST# to V_{IL} during programming aborts the PROGRAM operation. During programming, V_{PP} must remain in the appropriate V_{PP} voltage range as shown in the recommended operating conditions table.

ERASE OPERATIONS

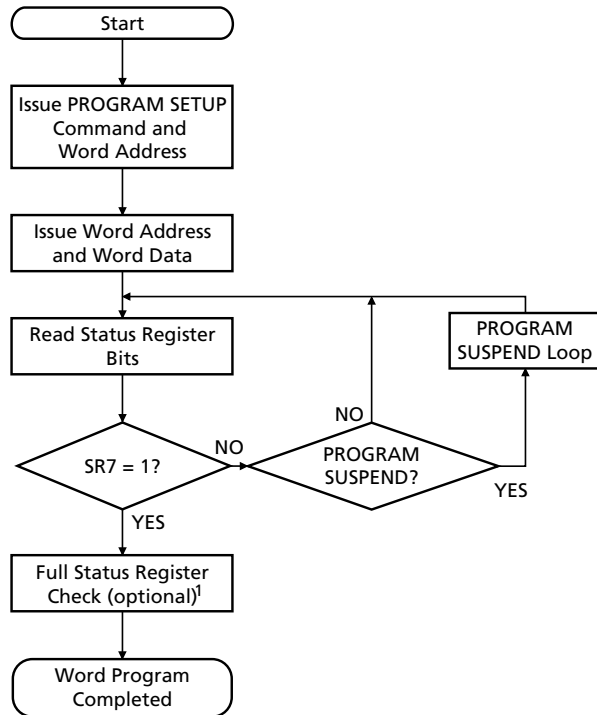
An ERASE operation must be used to initialize all bits in an array block to “1s.” After BLOCK ERASE CONFIRM is issued, the CSM responds only to an ERASE SUSPEND command until the WSM completes its task.

Block erasure inside the memory array sets all bits within the address block to logic 1s. Erase is accomplished only by blocks; data at single address locations within the array cannot be erased individually. The block to be erased is selected by using any valid address within that block. Block erasure is initiated by a command sequence to the CSM: BLOCKERASE SETUP (20h) followed by BLOCK ERASE CONFIRM (D0h) (see Figure 6). A two-command erase sequence protects against accidental erasure of memory contents.

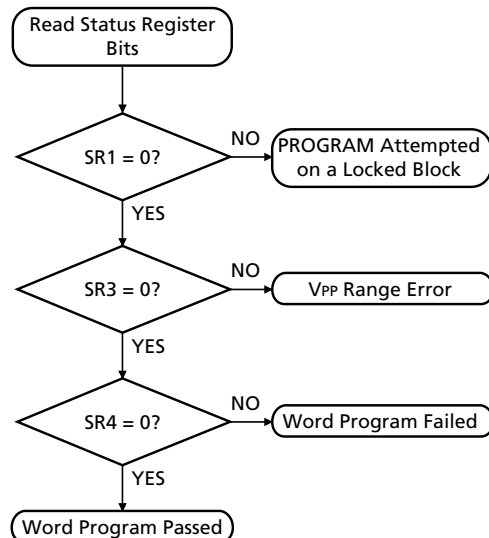
When the BLOCKERASE CONFIRM command is complete, the WSM automatically executes a sequence of events to complete the block erasure. During this sequence, the block is programmed with logic 0s, data is verified, all bits in the block are erased to logic 1 state, and finally verification is performed to ensure that all bits are correctly erased. The ERASE operation may be monitored through the status register (see the Status Register section).

During the execution of an ERASE operation, the ERASE SUSPEND command (B0h) can be entered to direct the WSM to suspend the ERASE operation. Once the WSM has reached the suspend state, it allows the CSM to respond only to the READ ARRAY, READ STATUS REGISTER, READ QUERY, READ CHIP PROTECTION CONFIGURATION, PROGRAM SETUP, PROGRAM RESUME, ERASE RESUME and LOCK SETUP (see the Block Locking section). During the ERASE SUSPEND operation, array data must be read from a block other than the one being erased. To resume the ERASE operation, an ERASE RESUME command (D0h) must be issued to cause the CSM to clear the suspend state previously set (see Figure 7). It is also possible to suspend an ERASE in any bank and initiate a WRITE to another block in the same bank. After the completion of a WRITE, an ERASE can be resumed by writing an ERASE RESUME command.

Figure 4
Automated Word Programming
Flowchart



FULL STATUS REGISTER CHECK FLOW

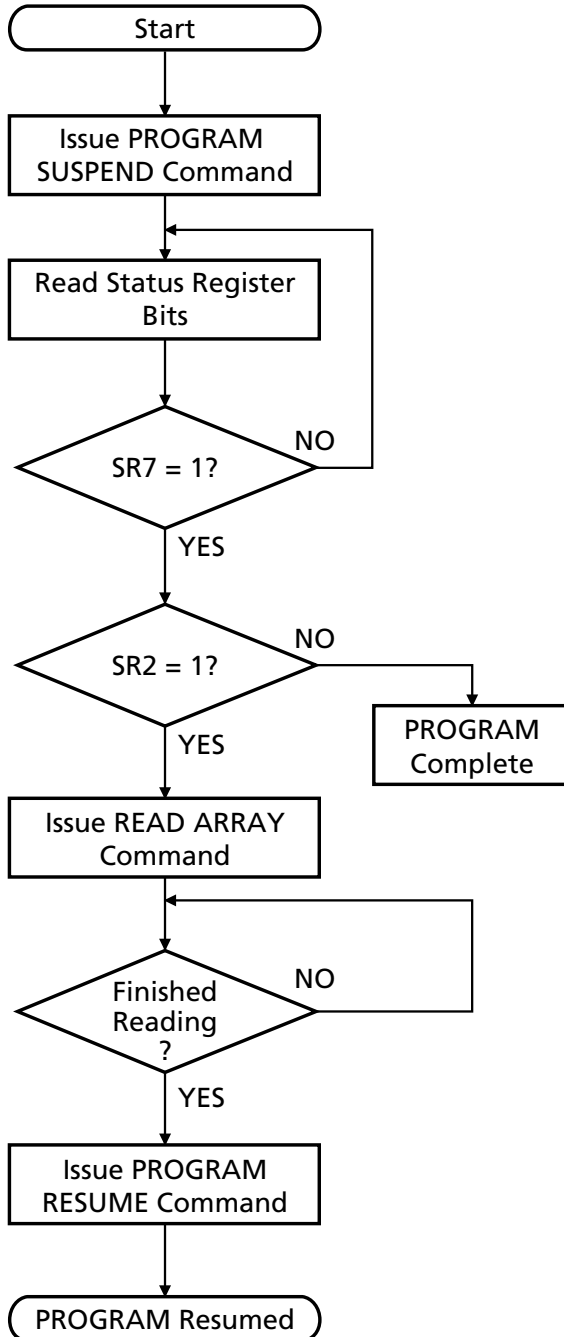


BUS OPERATION	COMMAND	COMMENTS
WRITE	WRITE PROGRAM SETUP	Data = 40h or 10h Addr = Address of word to be programmed
WRITE	WRITE DATA	Data = Word to be programmed Addr = Address of word to be programmed
READ		Status register data Toggle OE# or CE# to update status register.
Standby		Check SR7 1 = Ready, 0 = Busy
Repeat for subsequent words. Write FFh after the last word programming operation to reset the device to read array mode.		

BUS OPERATION	COMMAND	COMMENTS
Standby		Check SR1 1 = Detect locked block
Standby		Check SR3 ² 1 = Detect VPP LOW
Standby		Check SR4 ³ 1 = Word program error

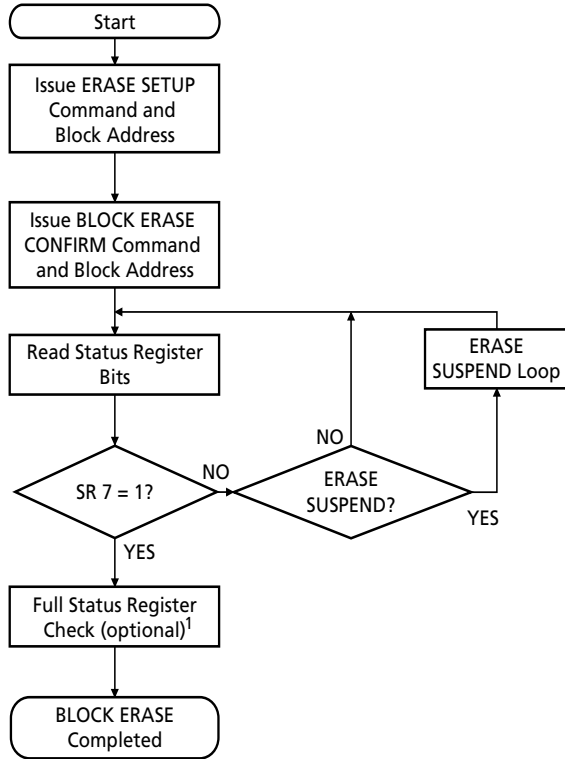
- NOTE:**
1. Full status register check can be done after each word or after a sequence of words.
 2. SR3 must be cleared before attempting additional PROGRAM/ERASE operations.
 3. SR4 is cleared only by the CLEAR STATUS REGISTER command, but it does not prevent additional program operation attempts.

**Figure 5
PROGRAM SUSPEND/
PROGRAM RESUME Flowchart**

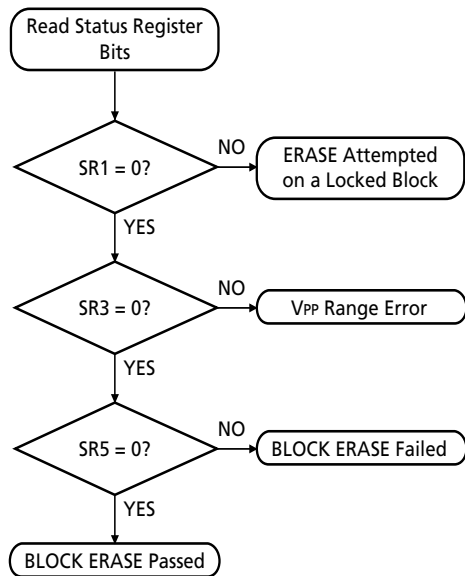


BUS OPERATION	COMMAND	COMMENTS
WRITE	PROGRAM SUSPEND	Data = B0h
READ		Status register data Toggle OE# or CE# to update status register.
Standby		Check SR7 1 = Ready
Standby		Check SR2 1 = Suspended
WRITE	READ ARRAY	Data = FFh
READ		Read data from block other than that being programmed
WRITE	PROGRAM RESUME	Data = D0h

Figure 6
BLOCK ERASE Flowchart



FULL STATUS REGISTER CHECK FLOW

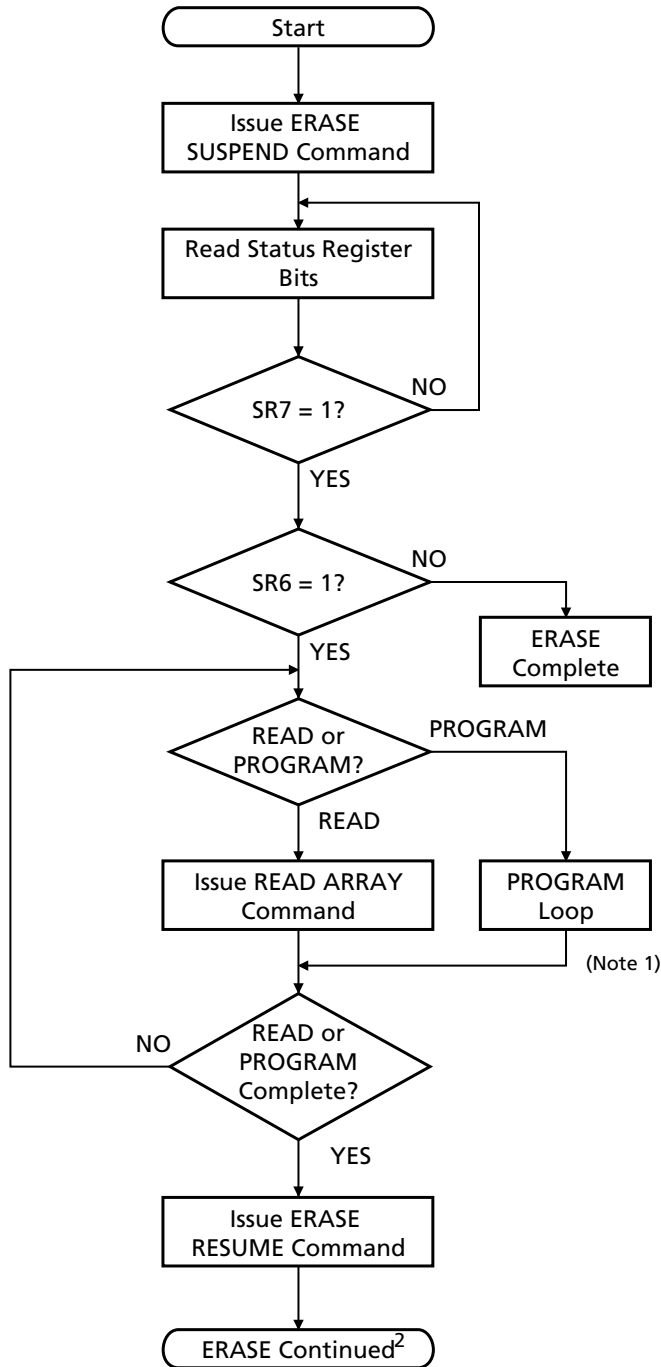


BUS OPERATION	COMMAND	COMMENTS
WRITE	WRITE ERASE SETUP	Data = 20h Block Addr = Address within block to be erased
WRITE	ERASE	Data = D0h Block Addr = Address within block to be erased
READ		Status register data Toggle OE# or CE# to update status register.
Standby		Check SR7 1 = Ready, 0 = Busy
Repeat for subsequent blocks. Write FFh after the last BLOCK ERASE operation to reset the device to read array mode.		

BUS OPERATION	COMMAND	COMMENTS
Standby		Check SR1 1 = Detect locked block
Standby		Check SR3 ² 1 = Detect VPP block
Standby		Check SR5 ³ 1 = BLOCK ERASE error

- NOTE:**
1. Full status register check can be done after each block or after a sequence of blocks.
 2. SR3 must be cleared before attempting additional PROGRAM/ERASE operations.
 3. SR5 is cleared only by the CLEAR STATUS REGISTER command in cases where multiple blocks are erased before full status is checked.

Figure 7
ERASE SUSPEND/ERASE RESUME
Flowchart



BUS OPERATION	COMMAND	COMMENTS
WRITE	ERASE SUSPEND	Data = B0h
READ		Status register data Toggle OE# or CE# to update status register.
Standby		Check SR7 1 = Ready
Standby		Check SR6 1 = Suspended
WRITE	READ ARRAY	Data = FFh
READ		Read data from block other than that being erased.
WRITE	ERASE RESUME	Data = D0h

NOTE: 1. See Word Programming Flowchart for complete programming procedure.
2. See BLOCK ERASE Flowchart for complete erasure procedure.

READ-WHILE-WRITE/ERASE CONCURRENCY

It is possible for the device to read from one bank while erasing/writing to another bank. Once a bank enters the WRITE/ERASE operation, the other bank automatically enters read array mode. For example, during a READ CONCURRENCY operation, if a PROGRAM/ERASE command is issued in bank *a*, then bank *a* changes to the read status mode and bank *b* defaults to the read array mode. The device will read from bank *b* if the latched address resides in bank *b* (see Figure 8). Similarly, if a PROGRAM/ERASE command is issued in bank *b*, then bank *b* changes to read status mode and bank *a* defaults to read array mode. When returning to bank *a*, the device will read PROGRAM/ERASE status if the latched address resides in bank *a*. A correct bank address must be specified to read status register after returning from concurrent read in the other bank.

When reading the CFI or the chip protection register, concurrent operation is not allowed on the top boot device. Concurrent READ of the CFI or the chip protection register is only allowed when a PROGRAM or ERASE operation is performed on bank *b* on the bottom boot device. For a bottom boot device, reading of the CFI table or the chip protection register is only allowed if bank *b* is in read array mode. For a top boot device, reading of the CFI table or the chip protection register is only allowed if bank *a* is in read array mode.

READ CONFIGURATION REGISTER (RCR) MODE

The SET READ CONFIGURATION REGISTER command is a WRITE operation to the read configuration register (RCR). It is a two-cycle command sequence. Read configuration setup is written, followed by a second write that specifies the data to be written to the read configuration register. The data is placed on the address bus A0–A15, and it is latched on the rising edge of ADV#, CE#, or WE#, whichever occurs first. The read configuration

provides the read mode (burst, synchronous, or asynchronous), burst order, latency counter, and burst length. After executing this command, the device returns to read array mode.

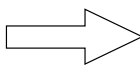
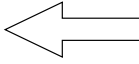
READ CONFIGURATION

The device supports three read configurations: asynchronous, synchronous burst mode, and page mode. The bit RCR15 (see Table 9) in the read configuration register sets the read configuration. Asynchronous random mode is the default read mode.

At power-up, the RCR is set to BBCFh.

Status registers and the device identification register support asynchronous and single synchronous READ operations only.

Figure 8
READ-While-WRITE Concurrency

Bank <i>a</i>	Bank <i>b</i>
1 - Erasing/writing to bank <i>a</i> 2 - Erasing in bank <i>a</i> can be suspended, and a WRITE to another block in bank <i>a</i> can be initiated. 3 - After the WRITE in that block is complete, an ERASE can be resumed by writing an ERASE RESUME command.	 1 - Reading from bank <i>b</i>
1 - Reading bank <i>a</i> 	1 - Erasing/writing to bank <i>b</i> 2 - Erasing in bank <i>b</i> can be suspended, and a WRITE to another block in bank <i>b</i> can be initiated. 3 - After the WRITE in that block is complete, an ERASE can be resumed by writing an ERASE RESUME command.

**Table 8
Read Configuration Register**

RM	R	LC2	LC1	LC0	R	HDO	WC
15	14	13	12	11	10	9	8

BS	CC	R	R	BW	BL2	BL1	BL0
7	6	5	4	3	2	1	0

BIT #	DESCRIPTION	FUNCTION
15	Read Mode (RM)	0 = Synchronous Burst Access Mode 1 = Asynchronous/Page Access Mode (Default)
14	Reserved	Default = 0
13-11	Latency Counter (LC)	Sets the number of clock cycles before valid data out: 000 = Code 0 - reserved 001 = Code 1 - reserved 010 = Code 2 011 = Code 3 100 = Code 4 101 = Code 5 - reserved 110 = Code 6 - reserved 111 = Code 7 - reserved (Default)
10	Reserved	Default = 0
9	Hold Data Out (HDO)	Sets the data output configuration: 0 = Hold data for one clock 1 = Hold data for two clocks (Default)
8	Wait Configuration (WC)	Controls the behavior of the WAIT# output signal: 0 = WAIT# asserted during delay 1 = WAIT# asserted one data cycle before delay (Default)
7	Burst Sequence (BS)	Specifies the order in which data is addressed in synchronous burst mode: 0 = Interleaved 1 = Linear (Default)
6	Clock Configuration (CC)	Defines the clock edge on which the BURST operation starts and data is referenced: 0 = Falling edge 1 = Rising edge (Default)
5-4	Reserved	Default = 0
3	Burst Wrap (BW)	0 = Burst wraps within the burst length 1 = Burst no wrap (Default)
2-0	Burst Length (BL)	Sets the number of words the device will output in burst mode: 001 = 4 words 010 = 8 words 111 = Continuous burst (Default)

LATENCY COUNTER

The latency counter provides the number of clocks that must elapse after ADV# is set active before data will be available. This value depends on the input clock fre-

quency. See Table 9 for the specific input clock frequency configuration code. See Figure 9 also.

Table 9
Clock Frequency vs. First Access Latency

MAX FREQUENCY (MHz)	PERIOD (ns)	LATENCY CONFIGURATION COUNTER	CLK CYCLES FOR FIRST DATA	SYNC ACCESS TIME (ns)
-705				
20	50	2	3	150
30	33	3	4	132
54 ¹	18.5	4	5	92.5
-804				
20	50	2	3	150
30	33	3	4	132
40	25	4	5	125

NOTE: 1. Maximum frequency for the MT28F322D18FH-705 device is 52 MHz.

Figure 9
Latency Counter

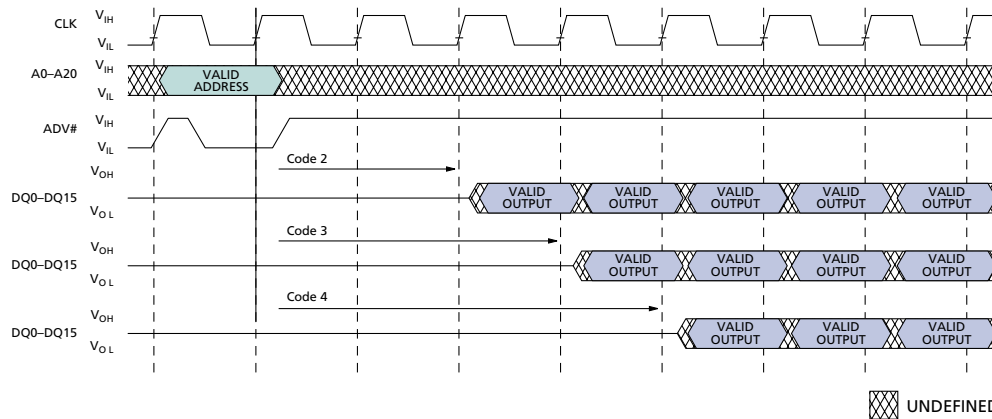


Figure 10
Hold Data Output Configuration

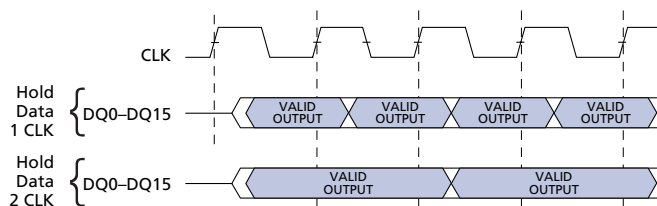
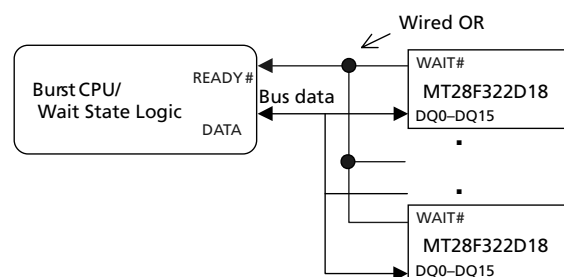


Figure 11
Wired OR WAIT# Configuration



HOLD DATA OUTPUT CONFIGURATION

The hold data output configuration specifies for how many clocks data will be held valid. (See Figure 10.)

WAIT# CONFIGURATION

The wait configuration bit, RCR8, sets the behavior of the WAIT# output signal. The WAIT# signal can be active during an output delay or one data cycle before delay when continuous burst length is enabled. WAIT# = 1 indicates valid data when RCR8 = 0. WAIT# = 0 indicates invalid data when RCR8 = 0. The setting of wait before or wait during RCR8 will depend on the system and CPU characteristic. If RCR3 = 1 (no wrap mode), then WAIT# can also be enabled in a four- or eight-word burst if the no-wrap burst crosses the first eight-word boundary.

A Flash controller (CPU) is able to use this output signal to drive banks of the devices. An internal 1MΩ pull-up resistor holds WAIT# = 1 and allows wired OR'ing multiple bank configurations, as shown in Figure 11.

BURST SEQUENCE

The burst sequence specifies the address order of the data in synchronous burst mode. It can be programmed as either linear or interleaved burst order. Continuous burst length only supports linear burst order. See Table 10 for more details.

Table 10
Sequence and Burst Length

STARTING ADDRESS (DEC)	WRAP	NO WRAP	4-WORD BURST LENGTH		8-WORD BURST LENGTH		CONTINUOUS BURST
	RCR3	RCR3	LINEAR	INTERLEAVED	LINEAR	INTERLEAVED	LINEAR
0	0		0-1-2-3	0-1-2-3	0-1-2-3-4-5-6-7	0-1-2-3-4-5-6-7	0-1-2-3-4-5-6-...
1	0		1-2-3-0	1-0-3-2	1-2-3-4-5-6-7-0	1-0-3-2-5-4-7-6	1-2-3-4-5-6-7-...
2	0		2-3-0-1	2-3-0-1	2-3-4-5-6-7-0-1	2-3-0-1-6-7-4-5	2-3-4-5-6-7-8-...
3	0		3-0-1-2	3-2-1-0	3-4-5-6-7-0-1-2	3-2-1-0-7-6-5-4	3-4-5-6-7-8-9-...
4	0				4-5-6-7-0-1-2-3	4-5-6-7-0-1-2-3	4-5-6-7-8-9-10-...
5	0				5-6-7-0-1-2-3-4	5-4-7-6-1-0-3-2	5-6-7-8-9-10-11-...
6	0				6-7-0-1-2-3-4-5	6-7-4-5-2-3-0-1	6-7-8-9-10-11-12-...
7	0				7-0-1-2-3-4-5-6	7-6-5-4-3-2-1-0	6-7-8-9-10-11-12-13-...
...
14	0						14-15-16-17-18-19-20-..
15	0						15-16-17-18-19-20-21-..
...
0		1	0-1-2-3	NA	0-1-2-3-4-5-6-7	NA	0-1-2-3-4-5-6-...
1		1	1-2-3-4	NA	1-2-3-4-5-6-7-8	NA	1-2-3-4-5-6-7-...
2		1	2-3-4-5	NA	2-3-4-5-6-7-8-9	NA	2-3-4-5-6-7-8-...
3		1	3-4-5-6	NA	3-4-5-6-7-8-9-10	NA	3-4-5-6-7-8-9-...
4		1			4-5-6-7-8-9-10-11	NA	4-5-6-7-8-9-10-...
5		1			5-6-7-8-9-10-11-12	NA	5-6-7-8-9-10-11-...
6		1			6-7-8-9-10-11-12-13	NA	6-7-8-9-10-11-12-...
7		1	...		7-8-9-10-11-12-13-14	NA	7-8-9-10-11-12-13-...
...
14		1	...				14-15-16-17-18-19-20-...
15		1					15-16-17-18-19-20-21-...

CLOCK CONFIGURATION

The clock configuration configures the starting burst cycle, output data, and WAIT# signal to be asserted on the rising or falling edge of the clock.

BURST WRAP

The burst wrap option, RCR3, signals if a four- or an eight-word linear burst access wraps within the burst length or whether it crosses the eight-word boundary. In wrap mode (RCR3 = 0) the four- or eight-word access will wrap within the four or eight words, respectively. In no-wrap mode (RCR3 = 1), the device operates similarly to a continuous burst. For example, in a four-word burst, no-wrap mode, the possible linear burst sequences that do not assert WAIT# are:

0-1-2-3	8-9-10-11
1-2-3-4	9-10-11-12
2-3-4-5	10-11-12-13
3-4-5-6	11-12-13-14
4-5-6-7	12-13-14-15

The worst-case delay is seen at the end of the eight-word boundary: 7-8-9-10 and 15-16-17-18. In a four-word burst, wrap mode, no WAIT# is asserted, and the possible wrap sequences are:

0-1-2-3	5-6-7-4
1-2-3-0	6-7-4-5
2-3-0-1	7-4-5-6
3-0-1-2	8-9-10-11
4-5-6-7	9-10-11-8 etc.

When the continuous burst option is selected, the internal address wraps to 000000h if the device is read past the last address.

BURST LENGTH

The burst length defines the number of words the device outputs. The device supports a burst length of four or eight words. The device can also be set in continuous burst mode. In this mode the device linearly outputs data until the internal burst counter reaches the end of the burstable address space. RCR2 sets the burst length.

CONTINUOUS BURST LENGTH

During continuous burst mode operation, the Flash memory may have an output delay when the burst sequence crosses the first eight-word boundary. Also, in four- or eight-word bursts with the burst wrap set to no wrap (RCR3 = 1), the Flash memory may have an output delay when the burst sequence crosses the first eight-word boundary. The starting address dictates whether or not a delay occurs. If the starting address is aligned with an eight-word boundary, the delay is not seen. For a four-word burst, if the starting address is aligned with a four-word boundary, a delay is not seen. If the starting address is at the end of an eight-word boundary, the output delay

is the maximum delay, equal to the latency counter setting.

The delay happens only once during a continuous burst access. If the burst never crosses an eight-word boundary, the WAIT# is not asserted. The WAIT# informs the system if this output delay occurs.

WAIT# SIGNAL IN BURST MODE

In the continuous burst mode or in the four- or eight-word burst mode with no wrap (RCR3 = 1), the output WAIT# informs the system when data is valid. When WAIT# is asserted during delay (RCR8 = 0), WAIT# = 1 indicates valid data, and WAIT# = 0 indicates invalid data. If RCR8 = 0, WAIT# is asserted on the same cycle on which the delay occurs. If RCR8 = 1, WAIT# is asserted one cycle before the delay occurs.

BLOCK LOCKING

The Flash devices provide a flexible locking scheme that allows each block to be individually locked or unlocked with no latency.

The devices offer two-level protection for the blocks. The first level allows software-only control of block locking (for data, which needs to be changed frequently), while the second level requires hardware interaction before locking can be changed (code which does not require frequent updates).

Control signals WP#, DQ1, and DQ0 define the state of a block; for example, state [001] means WP# = 0, DQ1 = 0 and DQ0 = 1.

Table 11 defines all of the possible locking states.

NOTE: All blocks are software-locked upon completion of a power-up sequence.

LOCKED STATE

After a power-up sequence completion, or after a reset sequence, all blocks are locked (states [001] or [101]). This means full protection from alteration. Any PROGRAM or ERASE operations attempted on a locked block will return an error on bit SR1 of the status register. The status of a locked block can be changed to unlocked or lock down using the appropriate software commands. Writing the lock command sequence, 60h followed by 01h, can lock an unlocked block.

UNLOCKED STATE

Unlocked blocks (states [000], [100], [110]) can be programmed or erased. All unlocked blocks return to the locked state when the device is reset or powered down. An unlocked block can be locked or locked down using the appropriate software command sequence, 60h followed by D0h (see Table 4).

LOCKED DOWN STATE

Blocks that are locked down (state [011]) are protected from PROGRAM and ERASE operations, but their protection status cannot be changed using software commands alone. A locked or unlocked block can be locked down by writing the lock down command sequence, 60h followed by 2Fh. Locked down blocks revert to the locked state when the device is reset or powered down.

The LOCK DOWN function is dependent on the WP# input. When WP# = 0, blocks in lock down [011] are protected from program, erase, and lock status changes. When WP# = 1, the lock down function is disabled ([111]), and locked down blocks can be individually unlocked by a software command to the [110] state, where they can be erased and programmed. These blocks can then be relocked [111] and unlocked [110] as desired while WP# remains HIGH. When WP# goes LOW, blocks that were previously locked down return to the locked down state [011] regardless of any changes made while WP# was HIGH. Device reset or power-down resets all locks, including those in lock down, to locked state (see Table 12).

READING A BLOCK'S LOCK STATUS

The lock status of every block can be read in the read device identification mode. To enter this mode, write 90h to the bank containing address 00h. Subsequent READS at block address +00002 will output the lock status of that block. The lowest two outputs, DQ0 and DQ1, represent the lock status. DQ0 indicates the block lock/unlock status and is set by the LOCK command and cleared by the

UNLOCK command. It is also automatically set when entering lock down. DQ1 indicates lock down status and is set by the LOCK DOWN command. It can only be cleared by reset or power-down, not by software. Table 11 shows the locking state transition scheme. The READ ARRAY command, FFh, must be issued to the bank containing address 00h prior to issuing other commands.

LOCKING OPERATIONS DURING ERASE SUSPEND

Changes to block lock status can be performed during an ERASE SUSPEND by using the standard locking command sequences to unlock, lock, or lock down. This is useful in the case when another block needs to be updated while an ERASE operation is in progress.

To change block locking during an ERASE operation, first write the ERASE SUSPEND command (B0h), then check the status register until it indicates that the ERASE operation has been suspended. Next, write the desired lock command sequence to block lock, and the lock status will be changed. After completing any desired LOCK, READ, or PROGRAM operations, resume the ERASE operation with the ERASE RESUME command (D0h).

If a block is locked or locked down during an ERASE SUSPEND operation on the same block, the locking status bits will be changed immediately. Then, when the ERASE is resumed, the ERASE operation will complete.

A locking operation cannot be performed during a PROGRAM SUSPEND.

**Table 11
Block Locking State Transition**

WP#	DQ1	DQ0	NAME	ERASE/PROG ALLOWED	LOCK	UNLOCK	LOCK DOWN
0	0	0	Unlocked	Yes	To [001]	No Change	To [011]
0	0	1	Locked (Default)	No	No Change	To [000]	To [011]
0	1	1	Lock Down	No	No Change	No Change	No Change
1	0	0	Unlocked	Yes	To [101]	No Change	To [111]
1	0	1	Locked	No	No Change	To [100]	To [111]
1	1	0	Lock Down Disabled	Yes	To [111]	No Change	To [111]
1	1	1	Lock Down Disabled	No	No Change	To [110]	No Change

CHIP PROTECTION REGISTER

A 128-bit chip protection register can be used to fulfill the security considerations in the system (preventing the device substitution).

The 128-bit security area is divided into two 64-bit segments. The first 64 bits are programmed at the manufacturing site with a unique 64-bit unchangeable number. The other segment is left blank for customers to program as desired. (See Figure 12).

READING THE CHIP PROTECTION REGISTER

The chip protection register is read in the device identification mode. To enter this mode, load the 90h command to the bank containing address 00h. Once in this mode, READ cycles from addresses shown in Table 12 retrieve the specified information. To return to the read array mode, write the READ ARRAY command (FFh). The READ ARRAY command, FFh, must be issued to the bank containing address 00h prior to issuing other commands.

PROGRAMMING THE CHIP PROTECTION REGISTER

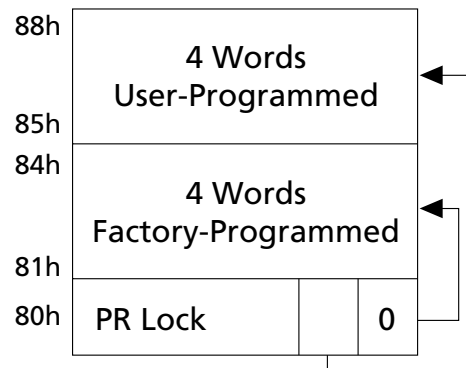
The first 64 bits (PR1) of the protection register (addresses 81h–84h) are programmed with a unique identifier at the factory. DQ0 of the PR lock register (address 80h) is programmed to a “0” state, locking the first 64 bits and preventing any further programming.

The second 64 bits (PR2) is a user area (addresses 85h–88h), where the user can program any information into this area as long as DQ1 of the PR lock register remains

unprogrammed. After DQ1 of the PR lock register is programmed, no further programming is allowed on PR2. The programming sequence is similar to array programming except that the PROTECTION REGISTER PROGRAMMING SETUP command (C0h) is issued instead of an ARRAY PROGRAMMING SETUP command (40h), followed by the data to be programmed at addresses 85h–88h.

To program the PR lock bit for PR2 (to prevent further programming), use the above sequence on address 80h, with data of FFFDh (DQ1 = 0).

**Figure 12
Protection Register Memory Map**



**Table 12
Chip Configuration Addressing¹**

ITEM	ADDRESS ²	DATA
Manufacturer Code (x16)	00000h	002Ch
Device Code	00001h	44B4h 44B5h
Block Lock Configuration	XX002h	Lock DQ0 = 0 DQ0 = 1 DQ1 = 1
Read Configuration Register	00005h	RCR
Chip Protection Register Lock	80h	PR Lock
Chip Protection Register 1	81h–84h	Factory Data
Chip Protection Register 2	85h–88h	User Data

NOTE: 1. Other locations within the configuration address space are reserved by Micron for future use.
2. “XX” specifies the block address of lock configuration.

ASYNCHRONOUS READ MODE

The asynchronous read mode is the default read configuration state. To use the device in an asynchronous-only application, ADV# and CLK must be tied to Vss and WAIT# should be floated.

Toggling the address lines from A0 to A20, the access is purely random (^tAA).

The ADV# signal needs to be toggled to latch the address, the CE# signal needs to go LOW, and the OE# signal needs to go LOW. In this case the data is placed on the data bus and the processor is ready to receive the data.

SYNCHRONOUS BURST READ MODE

The burst read mode is used to achieve a faster data rate than is possible with asynchronous read mode. The rising edge of the clock CLK is used to latch the address with CE# and ADV# LOW (see timing diagram: Single Synchronous READ Operation). The burst read configuration is set in the read configuration register, where frequency, data output, WAIT# signal, burst sequence, clock, and burst length are configured setting the related bits.

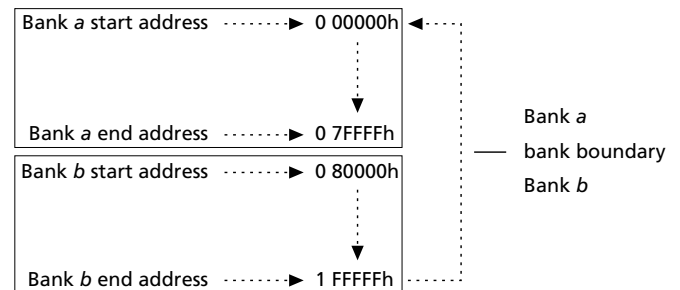
All blocks in both banks are burstable.

The BURST READ works across the bank boundary in the following way:

1. In READ operation there is no bank boundary as far as burst access is concerned. If, for example, burst starts in bank *a*, the application can keep clocking until bank boundary is reached and then read from bank *b*. If the application keeps clocking beyond bank *b* last location, then the internal counter restarts from bank *a* first address. (See Figure 13.)

2. If one bank is in program or erase mode and the application starts burst access in that bank, then the status register data is returned. The internal address counter is incremented at every clock pulse.
3. If burst is started in one bank and the bank boundary is crossed, and the other bank is in program or erase mode, then the status register data is returned as the first location of the bank. If the application keeps clocking, the internal address counter gets incremented at every clock cycle. If bank end is crossed, then data from the other bank is returned as shown in Figure 13.

Figure 13
Bank Boundary Wrapping
(Bottom Boot Example)



ASYNCHRONOUS PAGE READ MODE

After power-up or reset, the device operates in page mode over the whole memory array. The page size can be customized at the factory to four or eight words as required; but if no specification is made, the normal size is eight words. The initial portion of the page mode cycle is the same as the asynchronous access cycle. Holding CE# LOW and toggling addresses A0–A2 allows random access of other words in the page.

V_{PP}/V_{CC} PROGRAM AND ERASE VOLTAGES

The Flash devices provide in-system programming and erase with V_{PP} in the 0.9V–2.2V range (V_{PP1}). The 12V V_{PP} (V_{PP2}) mode programming is offered for compatibility with existing programming equipment.

The device can withstand 100,000 WRITE/ERASE operations when V_{PP} = V_{PP1} or 100 WRITE/ERASE operations and 10 cumulative hours when V_{PP} = V_{PP2}.

In addition to the flexible block locking, the V_{PP} programming voltage can be held LOW for absolute hardware write protection of all blocks in the Flash device. When V_{PP} is below V_{PPLK}, any PROGRAM or ERASE operation will result in an error, prompting the corresponding status register bit (SR3) to be set.

During WRITE and ERASE operations, the WSM monitors the V_{PP} voltage level. WRITE/ERASE operations are allowed only when V_{PP} is within the ranges specified in Table 13.

When V_{CC} is below V_{LKO} or V_{PP} is below V_{PPLK}, any WRITE/ERASE operation will be prevented.

Table 13
V_{PP} Range (V)

	MIN	MAX
In System (V _{PP1})	0.9	2.25
In Factory (V _{PP2})	11.4	12.6

STANDBY MODE

I_{CC} supply current is reduced by applying a logic HIGH level on CE# and RST# to enter the standby mode. In the standby mode, the outputs are High-Z. Applying a CMOS logic HIGH level on CE# and RST# reduces the current to I_{CC4} (MAX). If the device is deselected during an ERASE operation or during programming, the device continues to draw current until the operation is complete.

AUTOMATIC POWER SAVE MODE (APS)

Substantial power savings are realized during periods when the array is not being read and the device is in the active mode. During this time the device switches to the automatic power save mode. When the device switches to this mode, I_{CC} is reduced to a level comparable to I_{CC4}. Further power savings can be realized by applying a logic HIGH level to CE# to place the device in standby mode. The low level of power is maintained until another operation is initiated. In this mode, the I/Os retain the data from the last memory address read until a new address is read. This mode is entered automatically if no address or control signals toggle.

DEVICE RESET

To correctly reset the Flash devices, the RST# signal must be asserted (RST# = V_{IL}) for a minimum of t_{RP}. After reset, the devices can be accessed for a READ operation with a delayed access time of t_{RWH} from the rising edge of RST#. The circuitry used for generating the RST# signal needs to be common with the rest of the system reset to ensure that correct system initialization occurs. Please refer to the timing diagram for further details.

POWER-UP SEQUENCE

The following power-up sequence is recommended to properly initialize internal chip operations:

- At power-up, RST# should be kept at V_{IL} for 2μs after V_{CC} reaches V_{CC} (MIN).
- V_{CCQ} should not come up before V_{CC}.
- V_{PP} should be kept at V_{IL} to maximize data integrity.

When the power-up sequence is completed, RST# should be brought to V_{IH}. To ensure a proper power-up, the rise time of RST (10%–90%) should be < 10μs.

ABSOLUTE MAXIMUM RATINGS*

Voltage to Any Ball Except V_{CC} and V_{PP}	
with Respect to V_{SS}	-0.5V to +2.45V
V_{PP} Voltage (for BLOCK ERASE and PROGRAM)	
with Respect to V_{SS}	-0.5V to +13.5V**
V_{CC} and V_{CCQ} Supply Voltage	
with Respect to V_{SS}	-0.3V to +2.45V
Output Short Circuit Current	100mA
Operating Temperature Range	-40°C to +85°C
Storage Temperature Range	-55°C to +125°C
Soldering Cycle	260°C for 10s

*Stresses greater than those listed under “Absolute Maximum Ratings” may cause permanent damage to the device. This is a stress rating only and functional operation of the device at these or any other conditions above those indicated in the operational sections of this specification is not implied. Exposure to absolute maximum rating conditions for extended periods may affect reliability.
 **Maximum DC voltage on V_{PP} may overshoot to +13.5V for periods < 20ns.

RECOMMENDED OPERATING CONDITIONS

PARAMETER	SYMBOL	MIN	MAX	UNITS	NOTES
Operating temperature	t_A	-40	+85	°C	
V_{CC} supply voltage (MT28F322D20)	V_{CC}	1.80	2.20	V	
V_{CC} supply voltage (MT28F322D18)	V_{CC}	1.70	1.90	V	
I/O supply voltage (MT28F322D20)	V_{CCQ}	1.80	2.25	V	
I/O supply voltage (MT28F322D18)	V_{CCQ}	1.70	1.90	V	
V_{PP} voltage	V_{PP1}	0.9	2.25	V	
V_{PP} in-factory programming voltage	V_{PP2}	11.4	12.6	V	
Block erase cycling ($V_{PP} = V_{PP1}$)		-	100,000	Cycles	
Block erase cycling ($V_{PP} = V_{PP2}$)		-	100	Cycles	1

NOTE: 1. $V_{PP} = V_{PP2}$ is a maximum of 10 cumulative hours.

Figure 14
AC Input/Output Reference Waveform

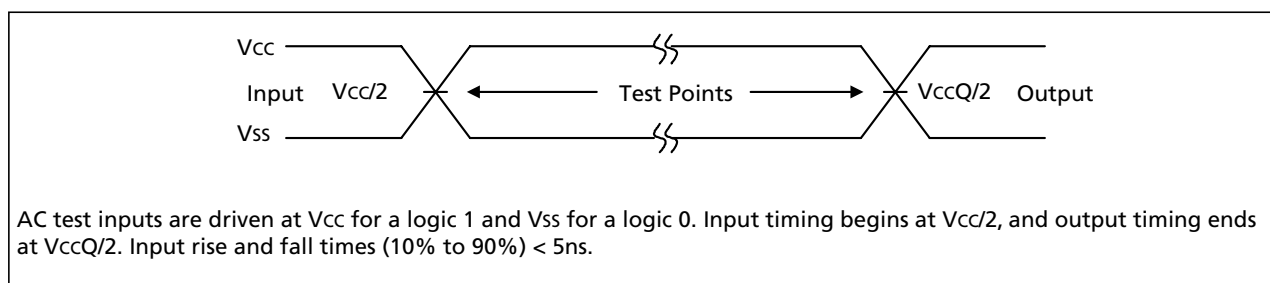
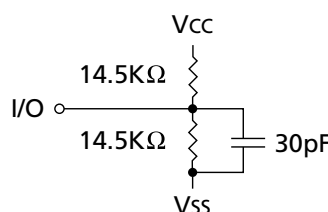


Figure 15
Output Load Circuit



CAPACITANCE
 $(T_A = +25^\circ\text{C}; f = 1 \text{ MHz})$

PARAMETER/CONDITION	SYMBOL	TYP	MAX	UNITS
Input Capacitance	C	7	12	pF
Output Capacitance	C _{OUT}	9	12	pF

DC CHARACTERISTICS¹

PARAMETER	SYMBOL	MIN	MAX	UNITS	NOTES
Input Low Voltage	V _{IL}	0	0.4	V	2
Input High Voltage	V _{IH}	V _{CCQ} - 0.4V	V _{CCQ}	V	2
Output Low Voltage I _{OL} = 100μA	V _{OL}	–	0.10	V	
Output High Voltage I _{OH} = -100μA	V _{OH}	V _{CCQ} - 0.1V	–	V	
V _{PP} Lockout Voltage	V _{PPLK}	–	0.4	V	
V _{PP} During PROGRAM/ERASE Operations	V _{PP1}	0.9	2.2	V	
	V _{PP2}	11.4	12.6	V	
V _{CC} Program/Erase Lock Voltage	V _{LKO}	1	–	V	
Input Leakage Current	I _L	–	1	μA	
Output Leakage Current	I _{OZ}	–	1	μA	
V _{CC} Asynchronous Random Read, 70ns cycle	I _{CC1}	–	15	mA	3, 4
V _{CC} Page Mode Read Current, 70ns/30ns cycle	I _{CC2}	–	5	mA	3, 4
V _{CC} Burst Mode Read Current, 18.5ns cycle	I _{CC3}	–	10	mA	4
V _{CC} Standby Current	I _{CC4}	–	50	μA	
V _{CC} Program Current	I _{CC5}	–	55	mA	
V _{CC} Erase Current	I _{CC6}	–	65	mA	
V _{CC} Erase Suspend Current	I _{CC7}	–	50	μA	5
V _{CC} Program Suspend Current	I _{CC8}	–	50	μA	5
Read-While-Write Current	I _{CC9}	–	80	mA	
V _{PP} Current (Read, Standby, Erase Suspend, Program Suspend) V _{PP} ≤ V _{CC} V _{PP} ≥ V _{CC}	I _{PP1}	–	1	μA	
		–	200	μA	

- NOTE:**
- All currents are in RMS unless otherwise noted.
 - V_{IL} may decrease to -0.4V and V_{IH} may increase to V_{CCQ} + 0.3V for durations not to exceed 20ns.
 - APS mode reduces I_{CC} to approximately I_{CC4} levels.
 - Test conditions: V_{CC} = V_{CC} (MAX), CE# = V_{IL}, OE# = V_{IH}. All other inputs = V_{IH} or V_{IL}.
 - I_{CC7} and I_{CC8} values are valid when the device is deselected. Any READ operation performed while in suspend mode will have an additional current draw of suspend current (I_{CC7} or I_{CC8}).

ASYNCHRONOUS READ CYCLE TIMING REQUIREMENTS¹

 MT28F322D20 ($V_{CC} = 1.80V-2.25V$) and MT28F322D18 ($V_{CC} = 1.70V-1.90V$)

PARAMETER	SYMBOL	-70		-80		UNITS
		MIN	MAX	MIN	MAX	
Address setup to ADV# HIGH	t_{AVS}	10		10		ns
CE# LOW to ADV# HIGH	t_{CVS}	10		10		ns
READ cycle time	t_{RC}		70		80	ns
Address to output delay	t_{AA}		70		80	ns
CE# LOW to output delay	t_{ACE}		70		80	ns
ADV# LOW to output delay	t_{AADV}		70		80	ns
ADV# pulse width LOW	t_{VP}	10		10		ns
ADV# pulse width HIGH	t_{VPH}	10		10		ns
Address hold from ADV# HIGH	t_{AVH}	3		3		ns
Page address access	t_{APA}		30		30	ns
OE# LOW to output delay	t_{AOE}		25		30	ns
RST# HIGH to output delay	t_{RWH}		200		200	ns
CE# or OE# HIGH to output High-Z	t_{OD}		15		25	ns
Output hold from address, CE# or OE# change	t_{OH}	0		0		ns

NOTE: 1. See Figures 15 and 16 for timing requirements and load configuration.

BURST READ CYCLE TIMING REQUIREMENTS¹

(MT28F322D20)

PARAMETER	SYMBOL	-705		-804		UNITS
		MIN	MAX	MIN	MAX	
CLK period	^t CLK	18.5		25		ns
CLK HIGH (LOW) time	^t KP	5		7.5		ns
CLK fall (rise) time	^t KHKL		3		5	ns
Address valid setup to CLK	^t AKS	7		7		ns
ADV# LOW setup to CLK	^t VKS	7		7		ns
CE# LOW setup to CLK	^t CKS	9		13		ns
CLK to output delay	^t ACLK		15		20	ns
Output hold from CLK	^t KOH	3.5		5		ns
Address hold from CLK	^t AKH	10		10		ns
CLK to WAIT# delay	^t KHTL		15		20	ns
CE# HIGH between subsequent synchronous READs	^t CBPH	20		20		ns

BURST READ CYCLE TIMING REQUIREMENTS¹

(MT28F322D18)

PARAMETER	SYMBOL	-705		-804		UNITS
		MIN	MAX	MIN	MAX	
CLK period	^t CLK	19.2		25		ns
CLK HIGH (LOW) time	^t KP	5		7.5		ns
CLK fall (rise) time	^t KHKL		3		5	ns
Address valid setup to CLK	^t AKS	7		7		ns
ADV# LOW setup to CLK	^t VKS	7		7		ns
CE# LOW setup to CLK	^t CKS	9		13		ns
CLK to output delay	^t ACLK		17		20	ns
Output hold from CLK	^t KOH	3.5		5		ns
Address hold from CLK	^t AKH	10		10		ns
CLK to WAIT# delay	^t KHTL		15		20	ns
CE# HIGH between subsequent synchronous READs	^t CBPH	20		20		ns

NOTE: 1. See Figures 15 and 16 for timing requirements and load configuration.

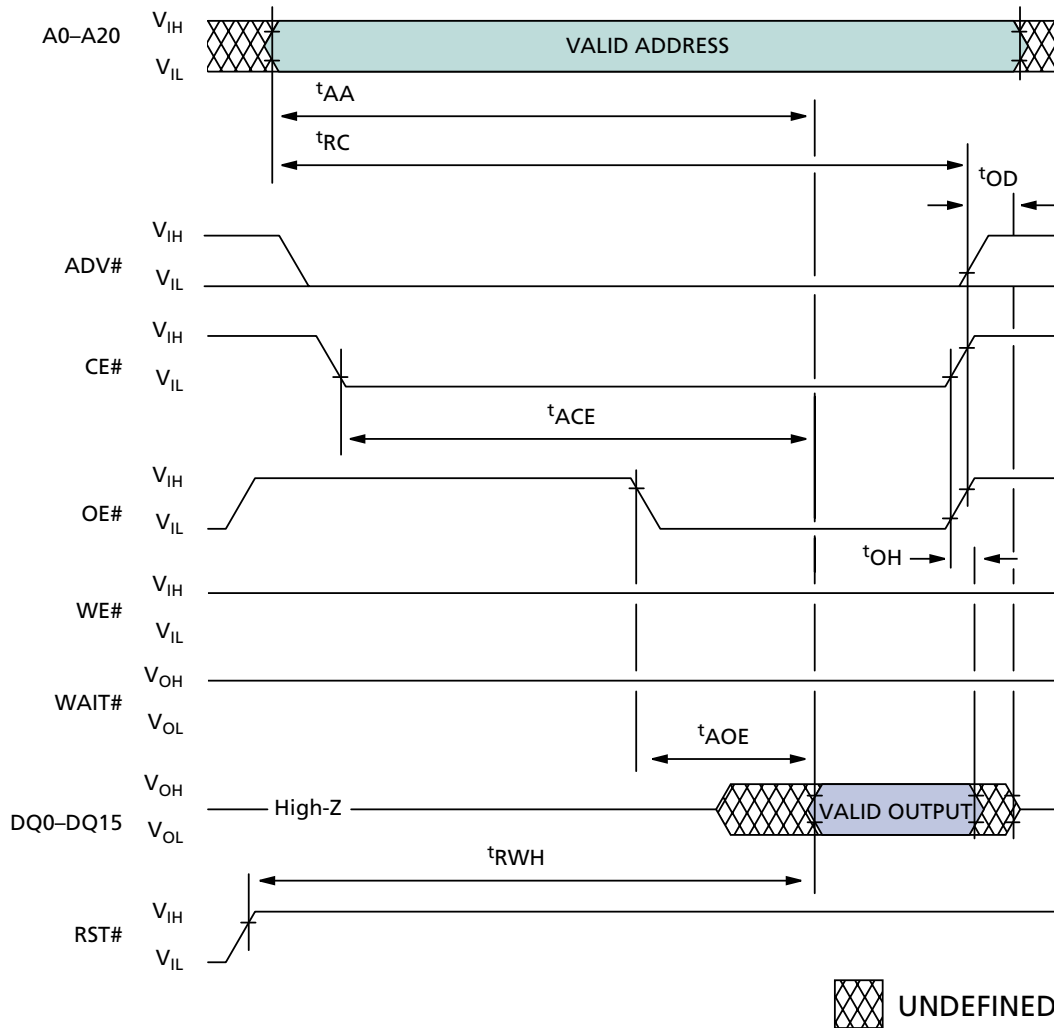
WRITE CYCLE TIMING REQUIREMENTS

PARAMETER	SYMBOL	-70/-80		UNITS
		MIN	MAX	
HIGH recovery to WE# going LOW	t _{RS}	150		ns
CE# setup to WE# going LOW	t _{CS}	0		ns
Write pulse width	t _{WP}	50		ns
ADV# pulse width	t _{VP}	10		ns
Data setup to WE# going HIGH	t _{DS}	50		ns
Address setup to WE# going HIGH	t _{AS}	50		ns
ADV# setup to WE# going HIGH	t _{VS}	50		ns
Address setup to ADV# going HIGH	t _{AVS}	10		ns
CE# hold from WE# HIGH	t _{CH}	0		ns
Data hold from WE# HIGH	t _{DH}	0		ns
Address hold from WE# HIGH	t _{AH}	1.5		ns
Address hold from ADV# going HIGH	t _{AVH}	3		ns
Write pulse width HIGH	t _{WPH}	30		ns
RST# pulse width	t _{RP}	100		ns
WP# setup to WE# going HIGH	t _{RHS}	0		ns
V _{PP} setup to WE# going HIGH	t _{VPS}	200		ns
Write recovery before READ	t _{WOS}	50		ns
WP# hold from valid SRD	t _{RHH}	0		ns
V _{PP} hold from valid SRD	t _{VPPH}	0		ns
WE# HIGH to data valid	t _{WB}		t _{AA} + 50	ns

ERASE AND PROGRAM TIMING REQUIREMENTS

PARAMETER	-70/-80		UNITS
	TYP	MAX	
4KW block program time	40	800	ms
32KW block program time	320	6,400	ms
Word program time	8	10,000	μs
4KW block erase time	0.3	6	s
32KW block erase time	0.5	6	s
Program suspend latency	5	10	μs
Erase suspend latency	5	20	μs
Chip programming time (APA)		20	s

SINGLE ASYNCHRONOUS READ OPERATION



READ TIMING PARAMETERS

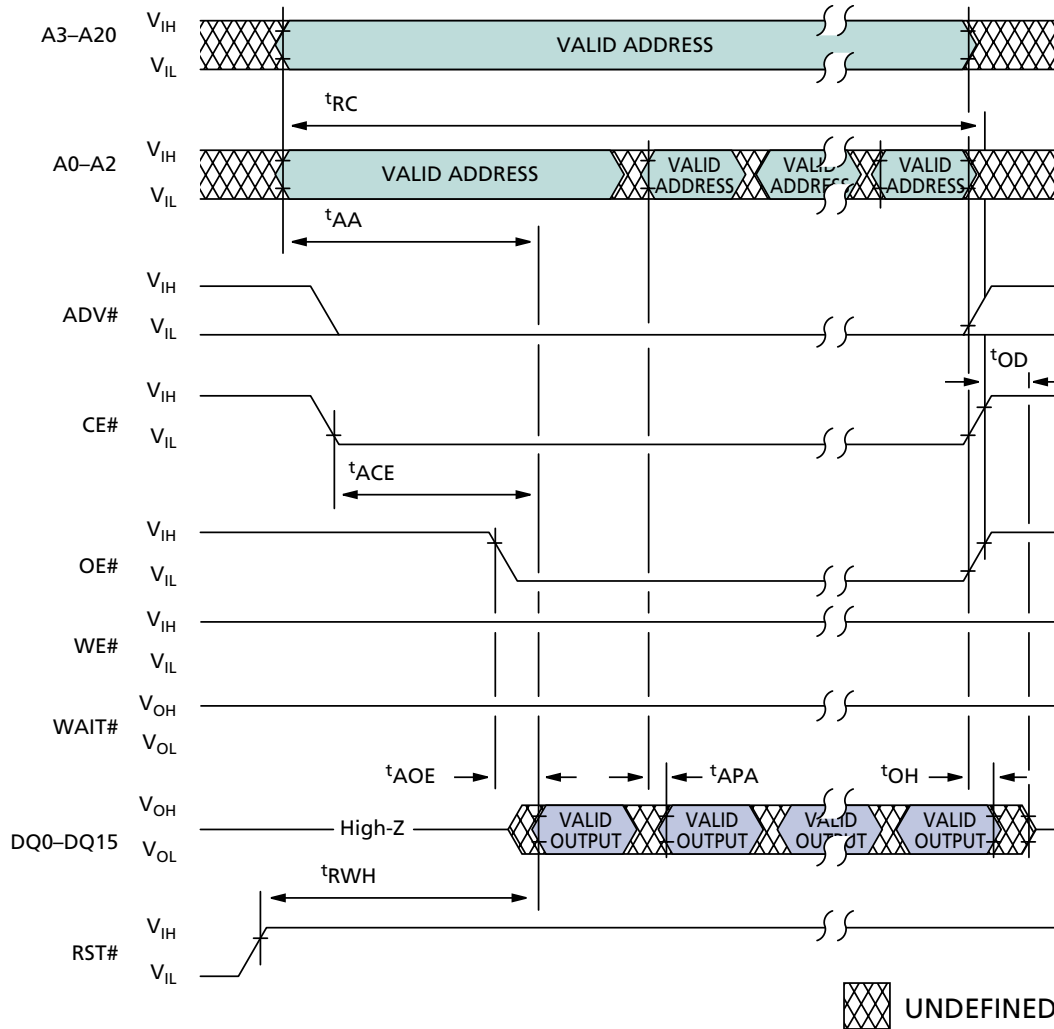
MT28F322D20 ($V_{CC} = 1.80V-2.25V$)

MT28F322D18 ($V_{CC} = 1.70V-1.90V$)

SYMBOL	-70		-80		UNITS
	MIN	MAX	MIN	MAX	
t_{AA}		70		80	ns
t_{ACE}		70		80	ns
t_{AOE}		25		30	ns
t_{RC}		70		80	ns

SYMBOL	-70		-80		UNITS
	MIN	MAX	MIN	MAX	
t_{RWH}		200		200	ns
t_{OD}		15		25	ns
t_{OH}	0		0		ns

ASYNCHRONOUS PAGE MODE READ OPERATION



READ TIMING PARAMETERS

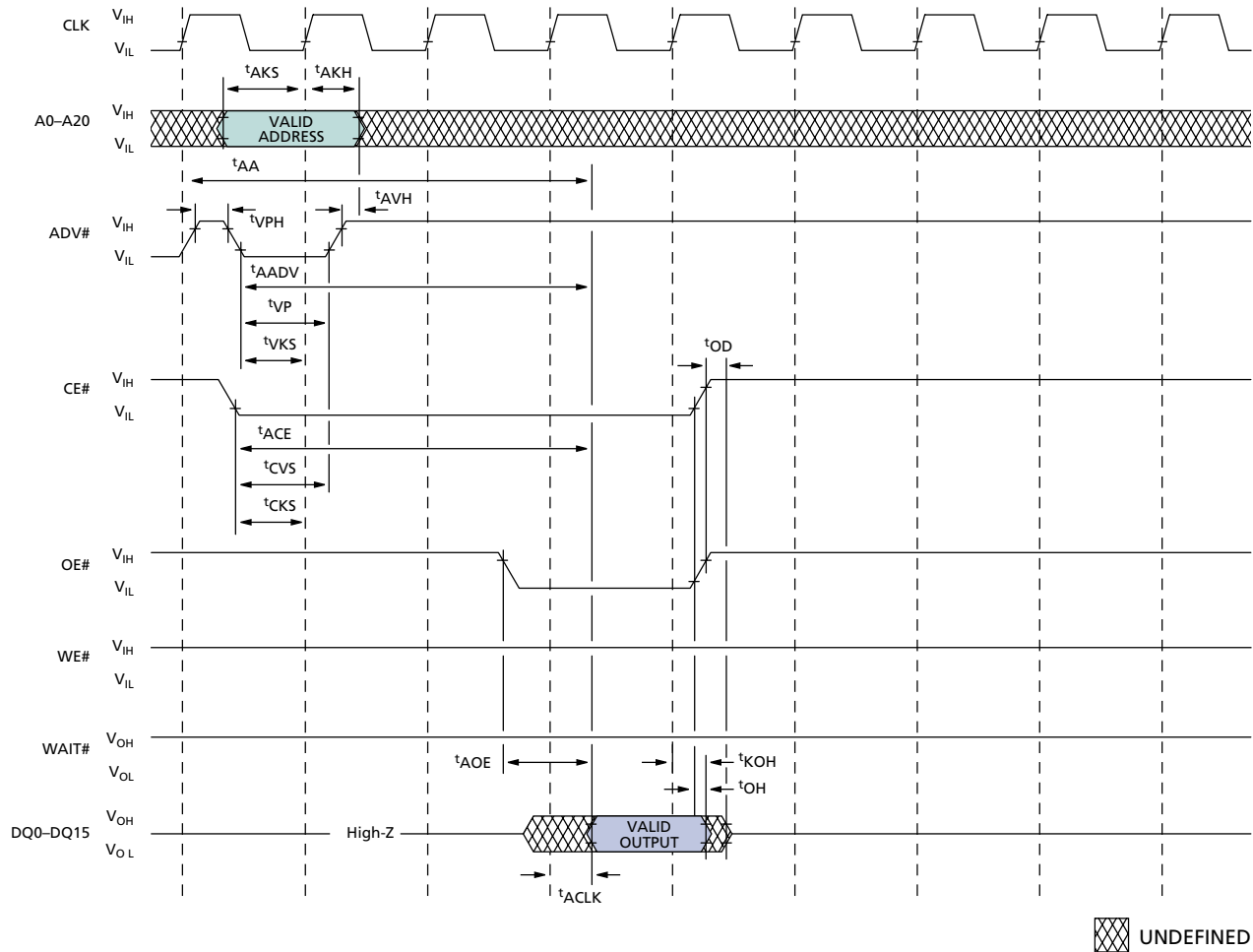
MT28F322D20 ($V_{CC} = 1.80V-2.25V$)

MT28F322D18 ($V_{CC} = 1.70V-1.90V$)

SYMBOL	-70		-80		UNITS
	MIN	MAX	MIN	MAX	
t_{AA}		70		80	ns
t_{ACE}		70		80	ns
t_{APA}		30		30	ns
t_{AOE}		25		30	ns

SYMBOL	-70		-80		UNITS
	MIN	MAX	MIN	MAX	
t_{RC}		70		80	ns
t_{RWH}		200		200	ns
t_{OD}		15		25	ns
t_{OH}	0		0		ns

SINGLE SYNCHRONOUS READ OPERATION



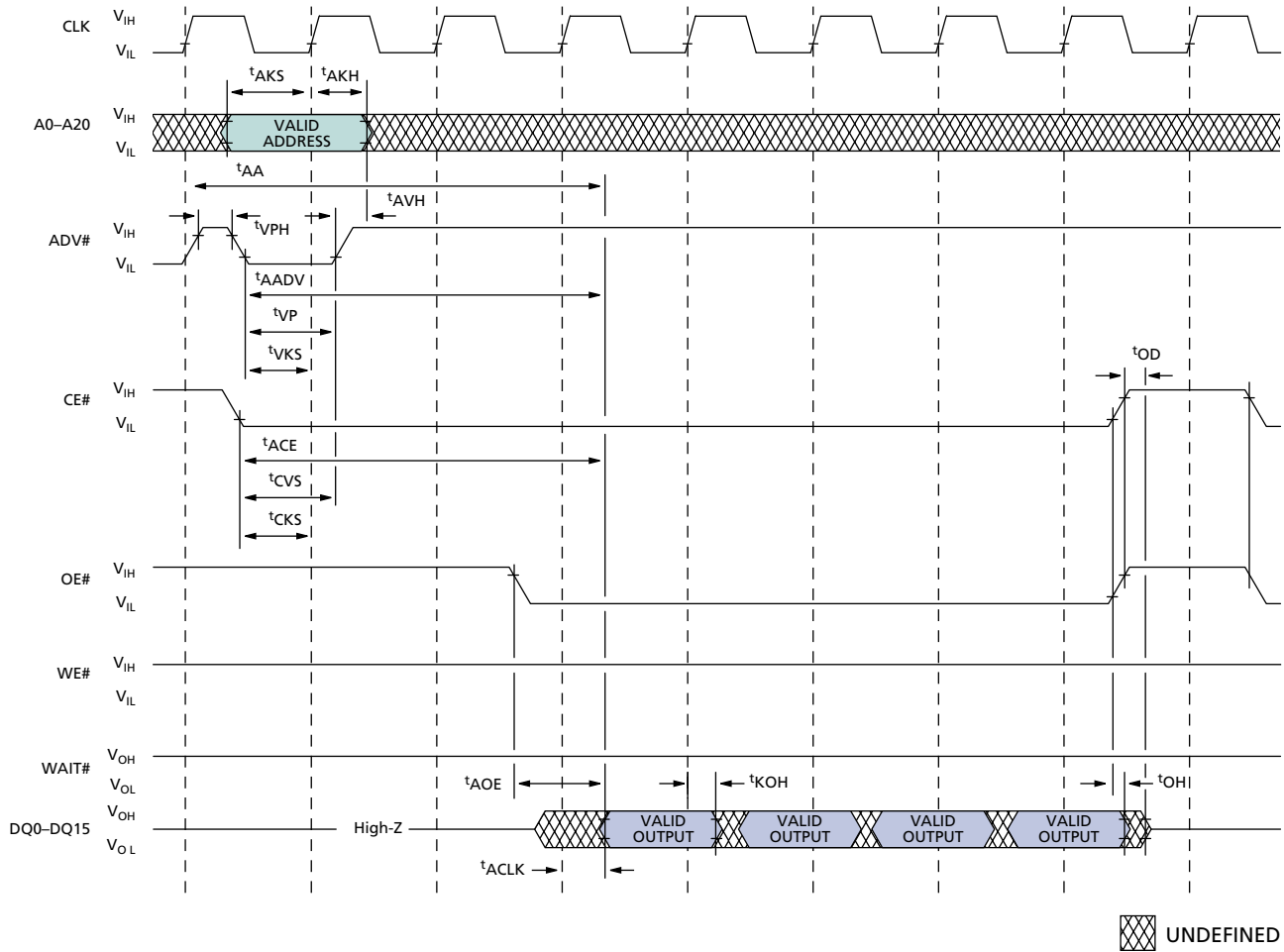
READ TIMING PARAMETERS
MT28F322D20 ($V_{CC} = 1.80V-2.25V$)

SYMBOL	-705		-804		UNITS
	MIN	MAX	MIN	MAX	
t_{AKS}	7		7		ns
t_{VKS}	7		7		ns
t_{CKS}	9		13		ns
t_{ACLK}		15		20	ns
t_{KOH}	3		5		ns
t_{AKH}	10		10		ns
t_{CVS}	10		10		ns
t_{AA}		70		80	ns
t_{ACE}		70		80	ns
t_{AADV}		70		80	ns
t_{VP}	10		10		ns
t_{VPH}	10		10		ns
t_{AVH}	3		3		ns
t_{AOE}		25		30	ns
t_{OD}		15		25	ns
t_{OH}	0		0		ns

READ TIMING PARAMETERS
MT28F322D18 ($V_{CC} = 1.70V-1.90V$)

SYMBOL	-705		-804		UNITS
	MIN	MAX	MIN	MAX	
t_{AKS}	7		7		ns
t_{VKS}	7		7		ns
t_{CKS}	9		13		ns
t_{ACLK}		17		20	ns
t_{KOH}	3		5		ns
t_{AKH}	10		10		ns
t_{CVS}	10		10		ns
t_{AA}		70		80	ns
t_{ACE}		70		80	ns
t_{AADV}		70		80	ns
t_{VP}	10		10		ns
t_{VPH}	10		10		ns
t_{AVH}	3		3		ns
t_{AOE}		25		30	ns
t_{OD}		15		25	ns
t_{OH}	0		0		ns

4-WORD SYNCHRONOUS BURST OPERATION



UNDEFINED

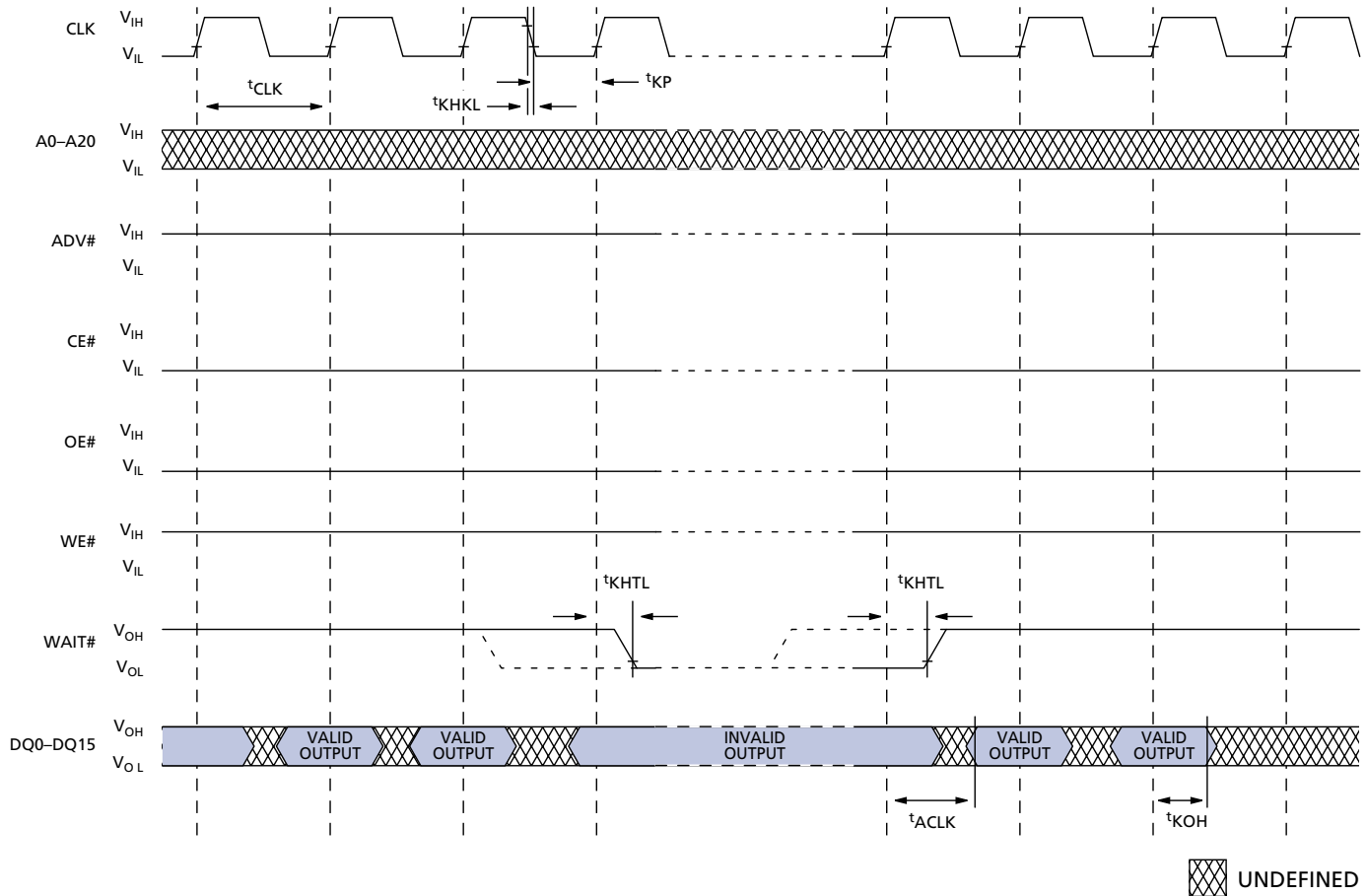
READ TIMING PARAMETERS MT28F322D20 ($V_{CC} = 1.80V-2.25V$)

SYMBOL	-705		-804		UNITS
	MIN	MAX	MIN	MAX	
t_{AKS}	7		7		ns
t_{VKS}	7		7		ns
t_{CKS}	9		13		ns
t_{ACLK}		15		20	ns
t_{KOH}	3		5		ns
t_{AKH}	10		10		ns
t_{CVS}	10		10		ns
t_{AA}		70		80	ns
t_{ACE}		70		80	ns
t_{AADV}		70		80	ns
t_{VP}	10		10		ns
t_{VPH}	10		10		ns
t_{AVH}	3		3		ns
t_{AOE}		25		30	ns
t_{OD}		15		25	ns
t_{OH}	0		0		ns

READ TIMING PARAMETERS MT28F322D18 ($V_{CC} = 1.70V-1.90V$)

SYMBOL	-705		-804		UNITS
	MIN	MAX	MIN	MAX	
t_{AKS}	7		7		ns
t_{VKS}	7		7		ns
t_{CKS}	9		13		ns
t_{ACLK}		17		20	ns
t_{KOH}	3		5		ns
t_{AKH}	10		10		ns
t_{CVS}	10		10		ns
t_{AA}		70		80	ns
t_{ACE}		70		80	ns
t_{AADV}		70		80	ns
t_{VP}	10		10		ns
t_{VPH}	10		10		ns
t_{AVH}	3		3		ns
t_{AOE}		25		30	ns
t_{OD}		15		25	ns
t_{OH}	0		0		ns

CONTINUOUS BURST READ SHOWING AN OUTPUT DELAY WITH RCR8 = 0(1)



READ TIMING PARAMETERS MT28F322D20 (V_{CC} = 1.80V–2.25V)

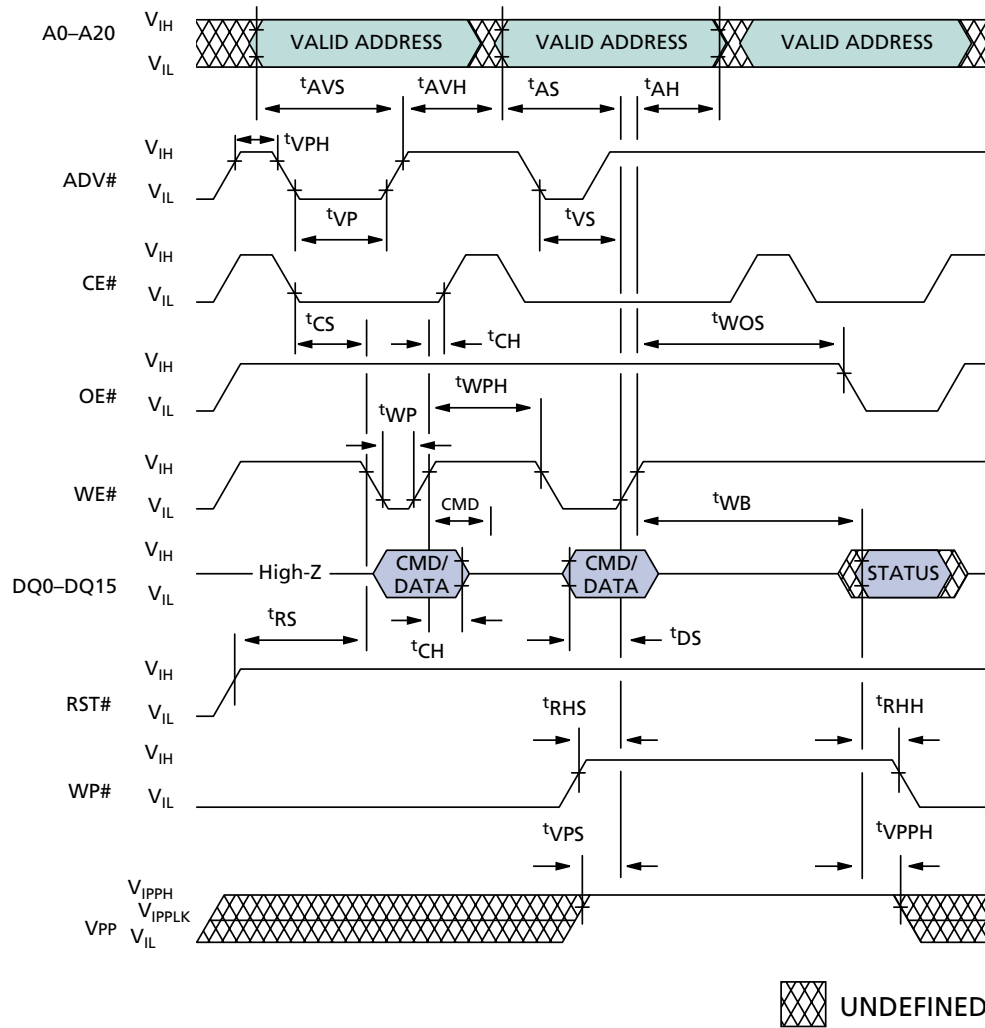
SYMBOL	-705		-804		UNITS
	MIN	MAX	MIN	MAX	
t _{CLK}	18.5		25		ns
t _{KP}	5		7.5		ns
t _{KHKL}		3		5	ns
t _{ACK}		15		20	ns
t _{KOH}	3.5		5		ns
t _{KHTL}		15		20	ns

READ TIMING PARAMETERS MT28F322D18 (V_{CC} = 1.70V–1.90V)

SYMBOL	-705		-804		UNITS
	MIN	MAX	MIN	MAX	
t _{CLK}	19.2		25		ns
t _{KP}	5		7.5		ns
t _{KHKL}		3		5	ns
t _{ACK}		17		20	ns
t _{KOH}	3.5		5		ns
t _{KHTL}		15		20	ns

NOTE: 1. t_{CLK} = 19.2ns (MIN) for the MT28F322D18 device.
2. t_{ACK} = 17ns (MAX) for the MT28F322D18 device.

TWO-CYCLE PROGRAMMING/ERASE OPERATION

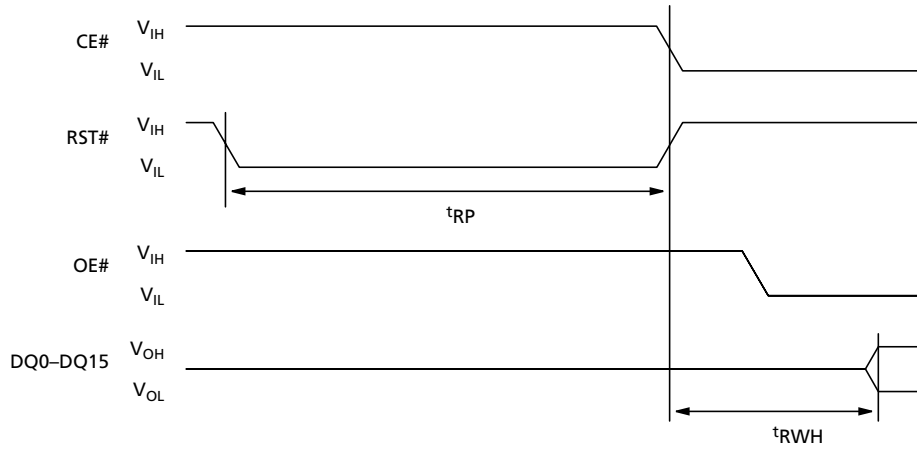


WRITE TIMING PARAMETERS

SYMBOL	-70/-80		UNITS
	MIN	MAX	
t_{RS}	150		ns
t_{CS}	0		ns
t_{WP}	70		ns
t_{VP}	10		ns
t_{DS}	70		ns
t_{AS}	70		ns
t_{VS}	70		ns
t_{AVS}	10		ns
t_{CH}	0		ns
t_{DH}	0		ns

SYMBOL	-70/-80		UNITS
	MIN	MAX	
t_{AH}	1.5		ns
t_{AVH}	3		ns
t_{WPH}	30		ns
t_{VPH}	10		ns
t_{RHS}	0		ns
t_{VPS}	200		ns
t_{WOS}	50		ns
t_{RHH}	0		ns
t_{VPPH}	0		ns
t_{WB}		$t_{AA} + 50$	ns

RESET OPERATION



READ AND WRITE TIMING PARAMETERS

SYMBOL	-70/-80		-70/-80		UNITS
	1.80V-2.25V		1.70V-1.90V		
	MIN	MAX	MIN	MAX	
t_{RWH}		200		200	ns
t_{RP}	100		100		ns

**Table 15
CFI**

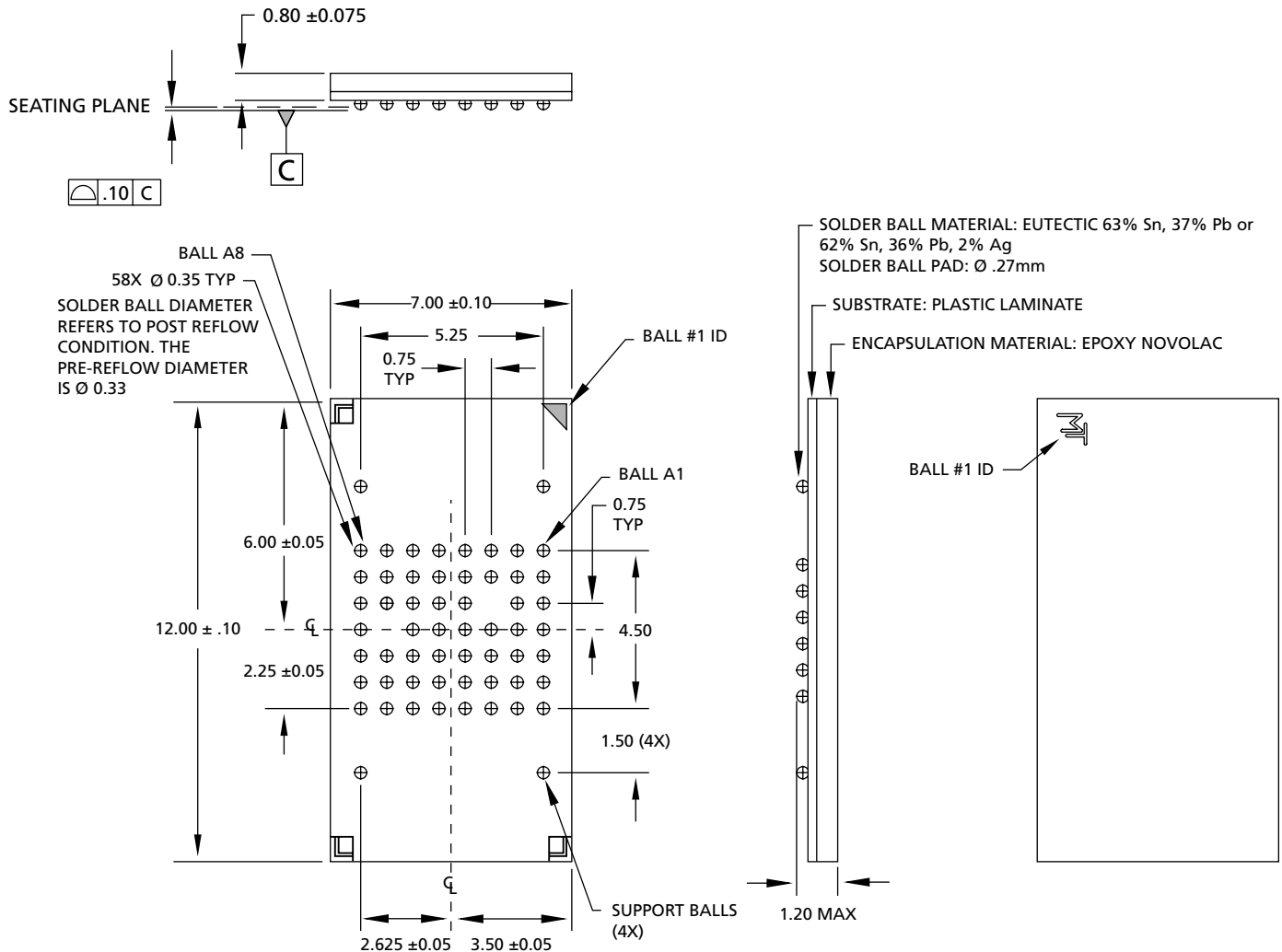
OFFSET	DATA	DESCRIPTION
00	2Ch	Manufacturer code
01	B4h	Top boot block device code
	B5h	Bottom boot block device code
02 – 0F	reserved	Reserved
10, 11	0051, 0052	"QR"
12	0059	"Y"
13, 14	0003, 0000	Primary OEM command set
15, 16	0039, 0000	Address for primary extended table
17, 18	0000, 0000	Alternate OEM command set
19, 1A	0000, 0000	Address for OEM extended table
1B	0017	V _{CC} MIN for Erase/Write; Bit7–Bit4 Volts in BCD; Bit3–Bit0 100mV in BCD
1C	0022	V _{CC} MAX for Erase/Write; Bit7–Bit4 Volts in BCD; Bit3–Bit0 100mV in BCD
1D	00B4	V _{PP} MIN for Erase/Write; Bit7–Bit4 Volts in Hex; Bit3–Bit0 100mV in BCD
1E	00C6	V _{PP} MAX for Erase/Write; Bit7–Bit4 Volts in Hex; Bit3–Bit0 100mV in BCD
1F	0003	Typical timeout for single byte/word program, 2 ⁿ μs, 0000 = not supported
20	0000	Typical timeout for maximum size multiple byte/word program, 2 ⁿ μs, 0000 = not supported
21	0009	Typical timeout for individual block erase, 2 ⁿ ms, 0000 = not supported
22	0000	Typical timeout for full chip erase, 2 ⁿ ms, 0000 = not supported
23	000C	Maximum timeout for single byte/word program, 2 ⁿ μs, 0000 = not supported
24	0000	Maximum timeout for maximum size multiple byte/word program, 2 ⁿ μs, 0000 = not supported
25	0003	Maximum timeout for individual block erase, 2 ⁿ ms, 0000 = not supported
26	0000	Maximum timeout for full chip erase, 2 ⁿ ms, 0000 = not supported
27	0016	Device size, 2 ⁿ bytes
28	0001	Bus Interface x16 = 1
29	0000	Flash device interface description 0000 = async
2A, 2B	0000, 0000	Maximum number of bytes in multi-byte program or page, 2 ⁿ
2C	0003	Number of erase block regions within device (4K words and 32K words)
2D, 2E	002F, 0000	Top boot block device erase block region information 1, 8 blocks ...
	0007, 0000	Bottom boot block device erase block region information 1, 8 blocks ...
2F, 30	0000, 0001	Top boot block deviceof 8KB
	0020, 0000	Bottom boot block deviceof 8KB
31, 32	000E, 0000	Top boot block 15 blocks of
	000E, 0000	Bottom boot block 15 blocks of
33, 34	0000, 000164KB
35, 36	0007, 0000	Top boot block device48 blocks of
	002F, 0000	Bottom boot block device48 blocks of

(continued on next page)

**Table 15
CFI (continued)**

OFFSET	DATA	DESCRIPTION
37, 38	0020, 0000	Top boot block device64KB
	0000, 0001	Bottom boot block device64KB
39, 3A	0050, 0052	"PR"
3B	0049	"I"
3C	0030	Major version number, ASCII
3D	0031	Minor version number, ASCII
3E 3F 40 41	00E6 0003 0000 0000	Optional Feature and Command Support Bit 0 Chip erase supported no = 0 Bit 1 Suspend erase supported = yes = 1 Bit 2 Suspend program supported = yes = 1 Bit 3 Chip lock/unlock supported = no = 0 Bit 4 Queued erase supported = no = 0 Bit 5 Instant individual block locking supported = yes = 1 Bit 6 Protection bits supported = yes = 1 Bit 7 Page mode read supported = yes = 1 Bit 8 Synchronous read supported = no = 0 Bit 9 Simultaneous operation supported = yes = 1
42	0001	Program supported after erase suspend = yes
43, 44	0003, 0000	Bit 0 block lock status active = yes; Bit 1 block lock down active = yes
45	0018	V _{CC} supply optimum, 00 = not supported, Bit7–Bit4 Volts in BCD; Bit3–Bit0 100mV in BCD
46	00C0	V _{PP} supply optimum, 00 = not supported, Bit7–Bit4 Volts in BCD; Bit3–Bit0 100mV in BCD
47	0001	Number of protection register fields in JEDEC ID space
48, 49	0080, 0000	Lock bytes LOW address, lock bytes HIGH address
4A, 4B	0003, 0003	2 ⁿ factory programmed bytes, 2 ⁿ user programmable bytes
4C	0003	Background Operation 0000 = Not used 0001 = 4% block split 0002 = 12% block split 0003 = 25% block split 0004 = 50% block split
4D	0072	Burst Mode Type 0000 = No burst mode 00x1 = 4 words MAX 00x2 = 8 words MAX 00x3 = 16 words MAX 001x = Linear burst, and/or 002x = Interleaved burst, and/or 004x = Continuous burst
4E	0002	Page Mode Type 0000 = No page mode 0001 = 4-word page 0002 = 8-word page 0003 = 16-word page 0004 = 32-word page
4F	0000	Not used

58-BALL FBGA



- NOTE:**
1. All dimensions in millimeters.
 2. Package width and length do not include mold protrusion; allowable mold protrusion is 0.25mm per side.

DATA SHEET DESIGNATION

No Mark: This data sheet contains minimum and maximum limits specified over the complete power supply and temperature range for production devices. Although considered final, these specifications are subject to change, as further product development and data characterization sometimes occur.



8000 S. Federal Way, P.O. Box 6, Boise, ID 83707-0006, Tel: 208-368-3900

E-mail: prodmtkg@micron.com, Internet: <http://www.micron.com>, Customer Comment Line: 800-932-4992

Micron and the M logo are registered trademarks and the Micron logo is a trademark of Micron Technology, Inc.

REVISION HISTORY

Rev. 4	7/02
• Removed PRELIMINARY DESIGNATION	
• Updated Status Register section	
• Updated command descriptions	
• Updated Read-While-Write/EraseConcurrency section	
• Updated timing diagrams	
• Changed interpage read access voltage from 1.70V to 1.80V	
• Changed intrapage read access voltage from 1.90V to 2.20V	
Rev. 3, PRELIMINARY	3/02
• Added Note 4 to DC Characteristics table	
Rev. 2, PRELIMINARY	1/02
• Added -70 and -80 speed grades for the MT28F322D18	
• Removed -90 speed grade	
• Updated DC Characteristics Table	
• Updated CFI Table	
• Updated ^t AH and ^t RWH specifications	
• Changed data sheet from Advance to Preliminary	
Original document, Rev. 1, ADVANCE	7/01