

MINI ANALOG SERIES**0.5 μ A Rail-to-Rail CMOS OPERATIONAL AMPLIFIER****S-89430A/89431A**

The mini-analog series is a group of ICs that incorporate a general purpose analog circuit in a small package.

The S-89430A/89431A is a CMOS type operational amplifier that feature Rail-to-Rail*¹ I/O and an internal phase compensation circuit, and that can be driven at a lower voltage with lower current consumption than existing bipolar operational amplifiers. These features make this product the ideal solution for small battery-powered portable equipment.

These features enable driving at a lower voltage (from 0.9 V) and with lower current consumption (0.5 μ A)

The S-89430A/89431A is a single operational amplifier.

*1. Rail-to-Rail is a registered trademark of Motorola Inc.

■ Features

- Lower operating voltage than the conventional general-purpose operational amplifiers:

$$V_{DD} = 0.9 \text{ to } 5.5 \text{ V}$$

- Low current consumption: $I_{DD} = 0.5 \mu\text{A}$

- Wide I/O voltage range: $V_{CMR} = V_{SS} \text{ to } V_{DD}$
(Rail-to-Rail)

- Low input offset voltage: 10.0 mV (max.) (S-89430A)
5.0 mV (max.) (S-89431A)

- No external capacitors required for internal phase compensation
- Lead-free products

■ Application

- Cellular phones
- PDAs
- Notebook PCs
- Digital cameras
- Digital video cameras

■ Package

Package Name	Drawing Code		
	Package	Tape	Reel
SC-88A	NP005-B	NP005-B	NP005-B
SOT-23-5	MP005-A	MP005-A	MP005-A

■ **Product Name List**

Table 1

Input Offset Voltage	SC-88A (Single)	SOT-23-5 (Single)
$V_{IO} = 10 \text{ mV}$	S-89430ACNC-HBUTFG	S-89430ACMC-HBUT2G
$V_{IO} = 5 \text{ mV}$	S-89431ACNC-HBVTFG	S-89431ACMC-HBVT2G

Remark Delivery form : Taping only

■ **Pin Configuration**

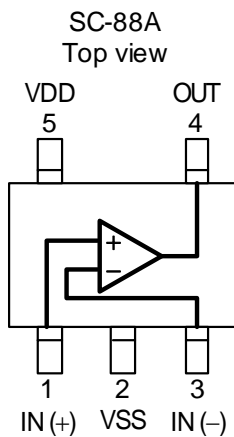


Figure 1

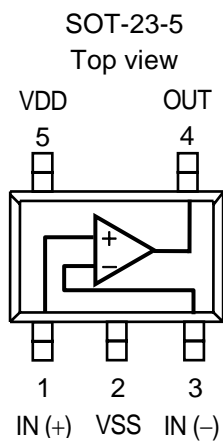


Figure 2

Table 2

Pin No.	Symbol	Description	Internal Equivalent Circuit
1	IN(+)	Non-inverted input pin	Figure 4
2	VSS	GND pin	—
3	IN(-)	Inverted input pin	Figure 4
4	OUT	Output pin	Figure 3
5	VDD	Positive power supply pin	Figure 5

■ Internal Equivalent Circuit

(1) Output pin

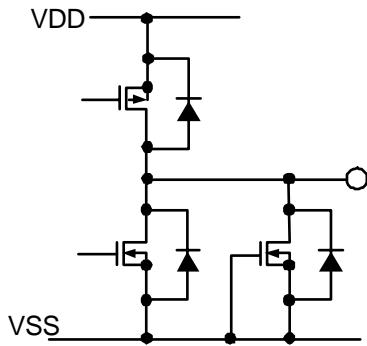


Figure 3

(2) Input pin

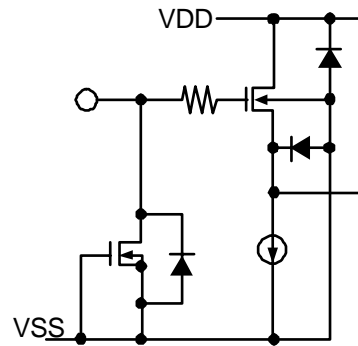


Figure 4

(3) VDD pin

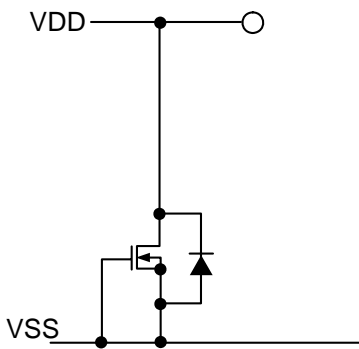


Figure 5

■ Absolute Maximum Ratings

Table 3

(Ta = 25°C unless otherwise specified)

Parameter		Symbol	Ratings	Unit
Power supply voltage		V_{DD}	$V_{SS} - 0.3$ to $V_{SS} + 7.0$	V
Input voltage		V_{IN}	$V_{SS} - 0.3$ to $V_{SS} + 7.0$ (7.0 max.)	V
Output voltage		V_{OUT}	$V_{SS} - 0.3$ to $V_{DD} + 0.3$ (7.0 max.)	V
Differential input voltage		V_{IND}	± 5.5	V
Output pin current		I_{SOURCE}	7.0	mA
		I_{SINK}		
Power dissipation	SC-88A	P_D	200 (When not mounted on board)	mW
			350 ^{*1}	mW
	SOT-23-5		250 (When not mounted on board)	mW
			600 ^{*1}	mW
Operating temperature range		T_{opr}	-40 to +85	°C
Storage temperature range		T_{stg}	-55 to +125	°C

*1. When mounted on board
 [Mounted board]

- (1) Board size : 114.3 mm × 76.2 mm × t1.6 mm
- (2) Board name : JEDEC STANDARD51-7

Caution The absolute maximum ratings are rated values exceeding which the product could suffer physical damage. These values must therefore not be exceeded under any conditions.

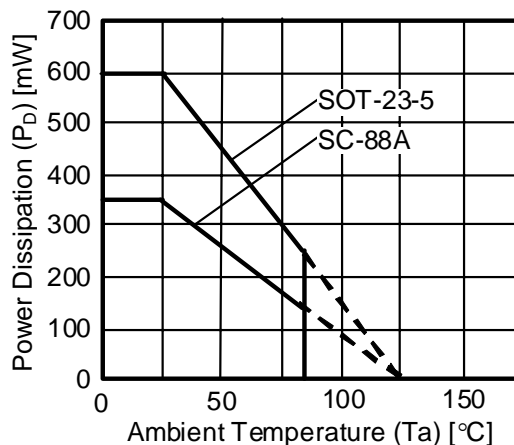


Figure 6 Power Dissipation of Package (When Mounted on Board)

■ Recommended Operating Voltage Range

Table 4

Parameter	Symbol	Range	Unit
Operating power supply voltage range	V_{DD}	0.9 to 5.5	V

■ Electrical Characteristics

1. $V_{DD} = 3.0$ V

Table 5

DC Characteristics ($V_{DD} = 3.0$ V) (Ta = 25°C unless otherwise specified)

Parameter	Symbol	Measurement Conditions	Min.	Typ.	Max.	Unit	Measurement Circuit
Current consumption ^{*1}	I_{DD}	$V_{CMR} = V_{OUT} = 1.5$ V	—	0.5	0.9	μ A	Figure 12
Input offset voltage	V_{IO}	S-89430A : $V_{CMR} = 1.5$ V	-10	± 5	+10	mV	Figure 8
		S-89431A : $V_{CMR} = 1.5$ V	-5	± 3	+5		
Input offset current	I_{IO}	—	—	1	—	pA	—
Input bias current	I_{BIAS}	—	—	1	—	pA	—
Common-mode input voltage range	V_{CMR}	—	0	—	3	V	Figure 9
Voltage gain (open loop)	A_{VOL}	$V_{SS} + 0.1$ V $\leq V_{OUT} \leq V_{DD} - 0.1$ V, $V_{CMR} = 1.5$ V, $R_L = 1$ M Ω	70	80	—	dB	Figure 16
Maximum output swing voltage	V_{OH}	$R_L = 100$ K Ω	2.95	—	—	V	Figure 10
	V_{OL}	$R_L = 100$ K Ω	—	—	0.05		Figure 11
Common-mode input signal rejection ratio	CMRR	$V_{SS} \leq V_{CMR} \leq V_{DD}$	45	65	—	dB	Figure 9
Power supply voltage rejection ratio	PSRR	$V_{DD} = 0.9$ to 5.5 V	70	80	—	dB	Figure 7
Source current	I_{SOURCE}	$V_{OUT} = V_{DD} - 0.1$ V	400	500	—	μ A	Figure 13
		$V_{OUT} = 0$ V	4800	6000	—		
Sink current	I_{SINK}	$V_{OUT} = 0.1$ V	400	550	—	μ A	Figure 14
		$V_{OUT} = V_{DD}$	4800	6000	—		

*1 When the output is saturated on the V_{DD} side, a current consumption of up to 3 to 5 μ A may flow. (Refer to 4. Current consumption vs. Common-mode input voltage characteristics graphs in the characteristics data.)

Table 6

AC Characteristics ($V_{DD} = 3.0$ V) (Ta = 25°C unless otherwise specified)

Parameter	Symbol	Measurement Conditions	Min.	Typ.	Max.	Unit
Slew rate	SR	$R_L = 1.0$ M Ω , $C_L = 15$ pF (Refer to Figure 15.)	—	5	—	V/ms
Gain-bandwidth product	GBP	$C_L = 0$ pF	—	4.8	—	kHz
Maximum load capacitance	C_L	—	—	47	—	pF

2. $V_{DD} = 1.8$ V

Table 7

DC Characteristics ($V_{DD} = 1.8$ V) (Ta = 25°C unless otherwise specified)

Parameter	Symbol	Measurement Conditions	Min.	Typ.	Max.	Unit	Measurement Circuit
Current consumption*1	I_{DD}	$V_{CMR} = V_{OUT} = 0.9$ V	—	0.5	0.9	μ A	Figure 12
Input offset voltage	V_{IO}	S-89430A : $V_{CMR} = 0.9$ V	-10	± 5	+10	mV	Figure 8
		S-89431A : $V_{CMR} = 0.9$ V	-5	± 3	+5		
Input offset current	I_{IO}	—	—	1	—	pA	—
Input bias current	I_{BIAS}	—	—	1	—	pA	—
Common-mode input voltage range	V_{CMR}	—	0	—	1.8	V	Figure 9
Voltage gain (open loop)	A_{VOL}	$V_{SS} + 0.1$ V $\leq V_{OUT} \leq V_{DD} - 0.1$ V, $V_{CMR} = 0.9$ V, $R_L = 1$ M Ω	66	75	—	dB	Figure 16
Maximum output swing voltage	V_{OH}	$R_L = 100$ K Ω	1.75	—	—	V	Figure 10
	V_{OL}	$R_L = 100$ K Ω	—	—	0.05		Figure 11
Common-mode input signal rejection ratio	CMRR	$V_{SS} \leq V_{CMR} \leq V_{DD}$	35	55	—	dB	Figure 9
		$V_{SS} \leq V_{CMR} \leq V_{DD} - 0.3$ V	45	60	—		
Power supply voltage rejection ratio	PSRR	$V_{DD} = 0.9$ to 5.5 V	70	80	—	dB	Figure 7
Source current	I_{SOURCE}	$V_{OUT} = V_{DD} - 0.1$ V	220	300	—	μ A	Figure 13
		$V_{OUT} = 0$ V	1200	1800	—		
Sink current	I_{SINK}	$V_{OUT} = 0.1$ V	220	300	—	μ A	Figure 14
		$V_{OUT} = V_{DD}$	1200	1800	—		

*1. When the output is saturated on the V_{DD} side, a current consumption of up to 3 to 5 μ A may flow. (Refer to 4. **Current consumption vs. Common-mode input voltage characteristics** graphs in the characteristics data.)

Table 8

AC Characteristics ($V_{DD} = 1.8$ V) (Ta = 25°C unless otherwise specified)

Parameter	Symbol	Measurement Conditions	Min.	Typ.	Max.	Unit
Slew rate	SR	$R_L = 1.0$ M Ω , $C_L = 15$ pF (Refer to Figure 15.)	—	4.5	—	V/ms
Gain-bandwidth product	GBP	$C_L = 0$ pF	—	5	—	kHz
Maximum load capacitance	C_L	—	—	47	—	pF

3. $V_{DD} = 0.9$ V

Table 9

DC Characteristics ($V_{DD} = 0.9$ V)

($T_a = 25^\circ\text{C}$ unless otherwise specified)

Parameter	Symbol	Measurement Conditions	Min.	Typ.	Max.	Unit	Measurement Circuit
Current consumption*1	I_{DD}	$V_{CMR} = V_{OUT} = 0.45$ V	—	0.5	0.9	μ A	Figure 12
Input offset voltage	V_{IO}	S-89430A : $V_{CMR} = 0.45$ V	-10	± 5	+10	mV	Figure 8
		S-89431A : $V_{CMR} = 0.45$ V	-5	± 3	+5		
Input offset current	I_{IO}	—	—	1	—	pA	—
Input bias current	I_{BIAS}	—	—	1	—	pA	—
Common-mode input voltage range	V_{CMR}	—	0	—	0.9	V	Figure 9
Voltage gain (open loop)	A_{VOL}	$V_{SS} + 0.1$ V $\leq V_{OUT} \leq V_{DD} - 0.1$ V, $V_{CMR} = 0.45$ V, $R_L = 1$ M Ω	60	75	—	dB	Figure 16
Maximum output swing voltage	V_{OH}	$R_L = 100$ K Ω	0.85	—	—	V	Figure 10
	V_{OL}	$R_L = 100$ K Ω	—	—	0.05		Figure 11
Common-mode input signal rejection ratio	CMRR	$V_{SS} \leq V_{CMR} \leq V_{DD}$	25	55	—	dB	Figure 9
		$V_{SS} \leq V_{CMR} \leq V_{DD} - 0.35$ V	40	60	—		
Power supply voltage rejection ratio	PSRR	$V_{DD} = 0.9$ to 5.5 V	70	80	—	dB	Figure 7
Source current	I_{SOURCE}	$V_{OUT} = V_{DD} - 0.1$ V	25	65	—	μ A	Figure 13
		$V_{OUT} = 0$ V	40	140	—		
Sink current	I_{SINK}	$V_{OUT} = 0.1$ V	10	65	—	μ A	Figure 14
		$V_{OUT} = V_{DD}$	12	120	—		

*1 When the output is saturated on the V_{DD} side, a current consumption of up to 3 to 5 μ A may flow. (Refer to 4. Current consumption vs. Common-mode input voltage characteristics graphs in the characteristics data.)

Table 10

AC Characteristics ($V_{DD} = 0.9$ V)

($T_a = 25^\circ\text{C}$ unless otherwise specified)

Parameter	Symbol	Measurement Conditions	Min.	Typ.	Max.	Unit
Slew rate	SR	$R_L = 1.0$ M Ω , $C_L = 15$ pF (Refer to Figure 15.)	—	4	—	V/ms
Gain-bandwidth product	GBP	$C_L = 0$ pF	—	5	—	kHz
Maximum load capacitance	C_L	—	—	47	—	pF

■ Measurement Circuit

1. Power supply voltage rejection ratio

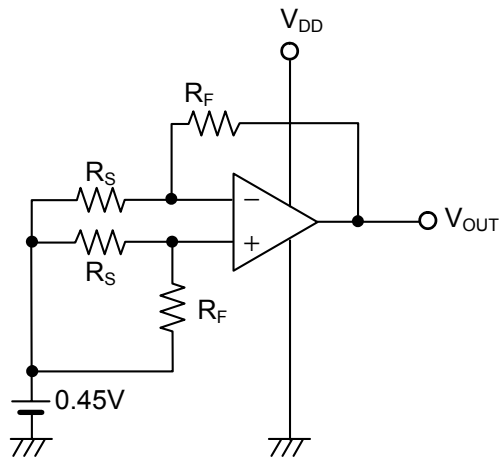


Figure 7

• Power supply voltage rejection ratio (PSRR)

The power supply voltage rejection ratio (PSRR) can be calculated by the following expression, with V_{OUT} measured at each V_{DD} .

Measurement conditions:

When $V_{DD} = 0.9\text{ V}$: $V_{DD} = V_{DD1}$, $V_{OUT} = V_{OUT1}$

When $V_{DD} = 5.5\text{ V}$: $V_{DD} = V_{DD2}$, $V_{OUT} = V_{OUT2}$

$$\text{PSRR} = 20 \log \left(\left| \frac{V_{DD1} - V_{DD2}}{V_{OUT1} - V_{OUT2}} \right| \times \frac{R_F + R_S}{R_S} \right)$$

2. Input offset voltage

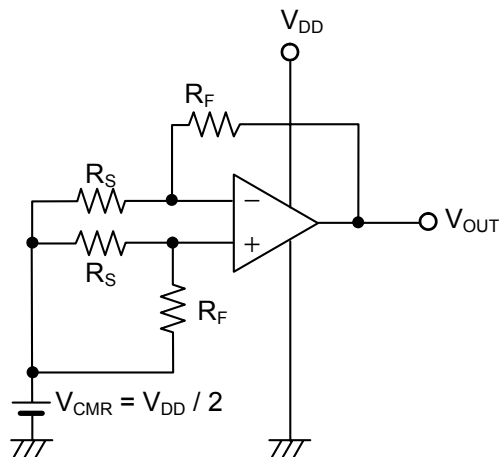


Figure 8

• Input offset voltage (V_{IO})

$$V_{IO} = \left(V_{OUT} - \frac{V_{DD}}{2} \right) \times \frac{R_S}{R_F + R_S}$$

3. Common-mode input signal rejection ratio, common-mode input voltage range

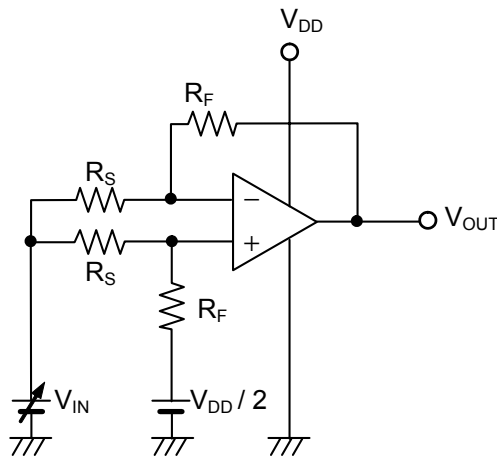


Figure 9

- **Common-mode input signal rejection ratio (CMRR)**
The common-mode input signal rejection ratio (CMRR) can be calculated by the following expression, with V_{OUT} measured at each V_{IN} .

Measurement conditions:

When $V_{IN} = V_{CMR} (\text{max.})$: $V_{IN} = V_{IN1}$, $V_{OUT} = V_{OUT1}$

When $V_{IN} = V_{CMR} (\text{min.})$: $V_{IN} = V_{IN2}$, $V_{OUT} = V_{OUT2}$

$$CMRR = 20 \log \left(\left| \frac{V_{IN1} - V_{IN2}}{V_{OUT1} - V_{OUT2}} \right| \times \frac{R_F + R_S}{R_S} \right)$$

- **Common-mode input voltage range (V_{CMR})**
The common-mode input voltage range is the range of V_{IN} in which V_{OUT} satisfies the common-mode input signal rejection ratio specifications.

4. Maximum output swing voltage

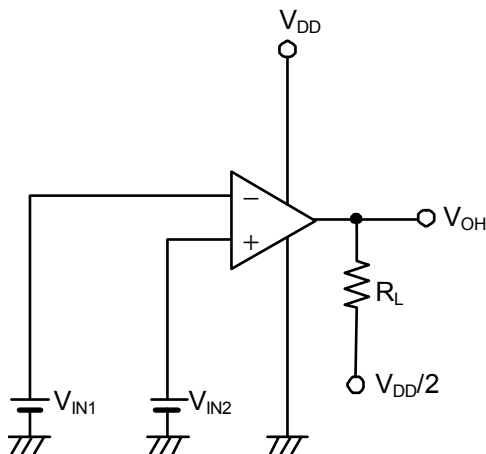


Figure 10

- **Maximum output swing voltage (V_{OH})**

Measurement conditions:

$$V_{IN1} = \frac{V_{DD}}{2} - 0.1V$$

$$V_{IN2} = \frac{V_{DD}}{2} + 0.1V$$

$$R_L = 100 \text{ K}\Omega$$

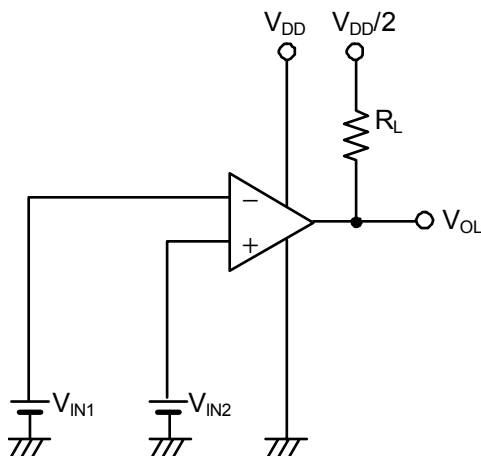


Figure 11

- **Maximum output swing voltage (V_{OL})**

Measurement conditions:

$$V_{IN1} = \frac{V_{DD}}{2} + 0.1V$$

$$V_{IN2} = \frac{V_{DD}}{2} - 0.1V$$

$$R_L = 100 \text{ K}\Omega$$

5. Current consumption

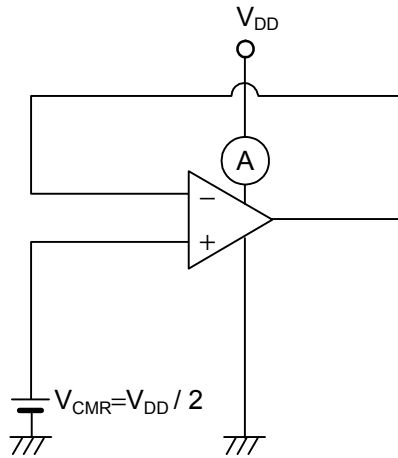


Figure 12

- Current consumption (I_{DD})

6. Source current

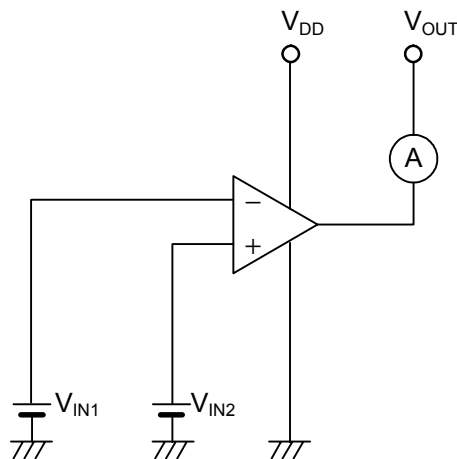


Figure 13

- Source current (I_{SOURCE})
Measurement conditions:
 $V_{OUT} = V_{DD} - 0.1 \text{ V}$ or $V_{OUT} = 0 \text{ V}$
 $V_{IN1} = \frac{V_{DD}}{2} - 0.1 \text{ V}$
 $V_{IN2} = \frac{V_{DD}}{2} + 0.1 \text{ V}$

7. Sink current

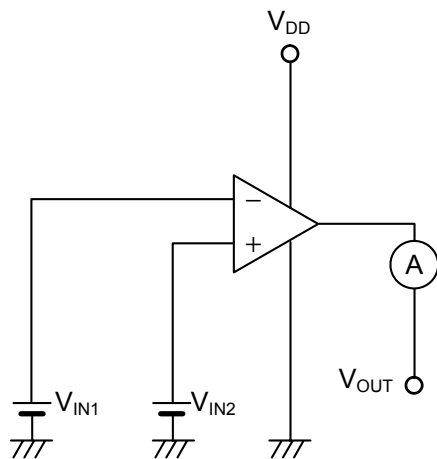


Figure 14

- Sink current (I_{SINK})
Measurement conditions:
 $V_{OUT} = 0.1 \text{ V}$ or $V_{OUT} = V_{DD}$
 $V_{IN1} = \frac{V_{DD}}{2} + 0.1 \text{ V}$
 $V_{IN2} = \frac{V_{DD}}{2} - 0.1 \text{ V}$

8. Slew rate (SR):

Measured by the voltage follower circuit

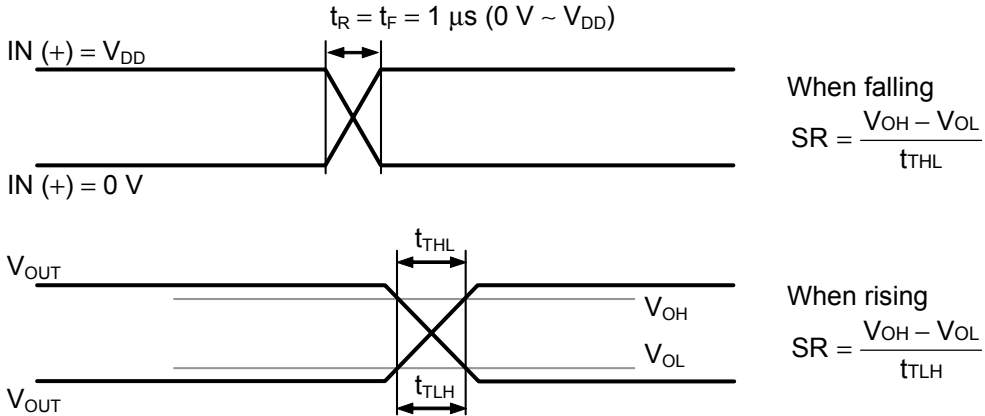


Figure 15

	When $V_{DD}=3.0$ V	When $V_{DD}=1.8$ V	When $V_{DD}=0.9$ V
V_{OH}	2.7 V	1.62 V	0.81 V
V_{OL}	0.3 V	0.18 V	0.09 V

9. Voltage gain (open loop)

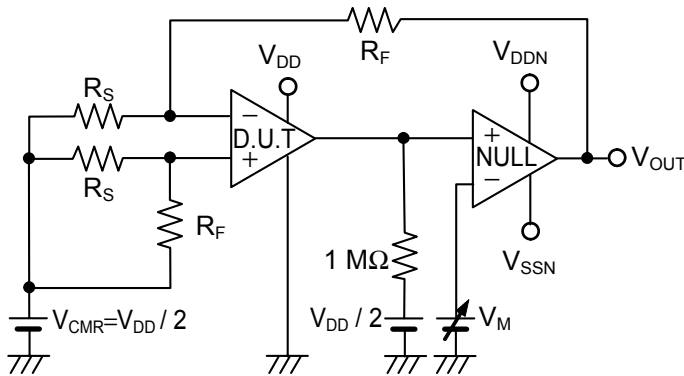


Figure 16

• **Voltage gain (open loop) (A_{VOL})**

The voltage gain (A_{VOL}) can be calculated by the following formula, with the value of V_{OUT} measured at each V_M .

Measurement conditions:

When $V_M = V_{DD} - 0.1$ V: $V_M = V_{M1}$, $V_{OUT} = V_{OUT1}$

When $V_M = 0.1$ V: $V_M = V_{M2}$, $V_{OUT} = V_{OUT2}$

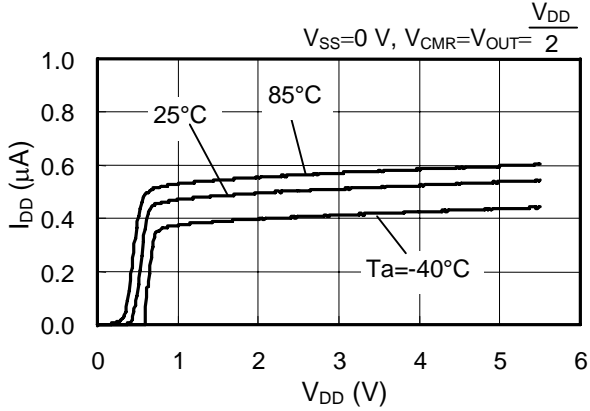
$$A_{VOL} = 20 \log \left(\left| \frac{V_{M1} - V_{M2}}{V_{OUT1} - V_{OUT2}} \right| \times \frac{R_F + R_S}{R_S} \right)$$

■ **Precaution**

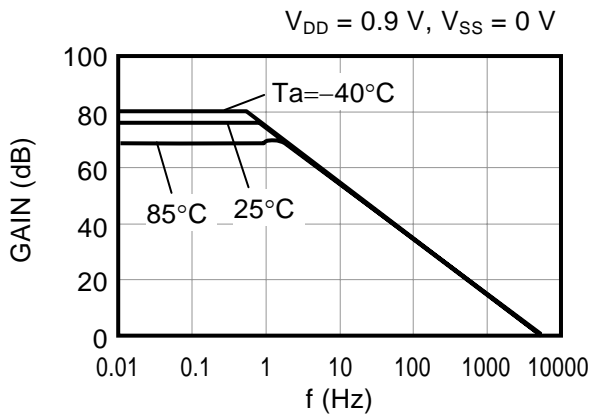
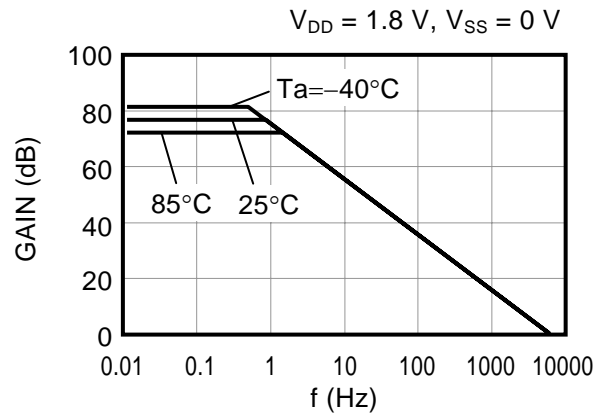
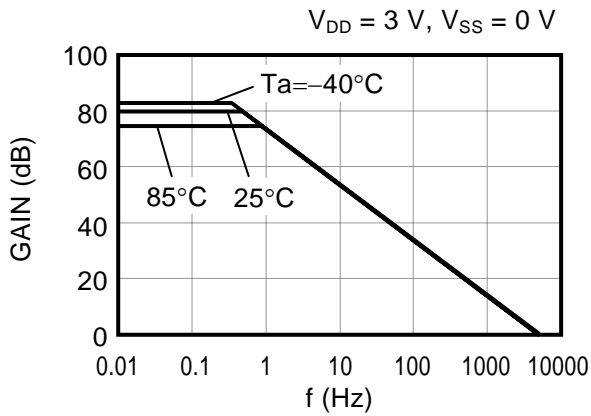
- Note that when the output is saturated on the V_{DD} side, a power supply current of up to 3 to 5 μ A may flow. (Refer to **4. Current consumption vs. Common-mode input voltage characteristics** graphs in the characteristics data)
- Do not apply an electrostatic discharge to this IC that exceeds performance ratings of the built-in electrostatic protection circuit.
- Be sure to use the product with an output current of no more than 7 mA.
- SII claims no responsibility for any disputes arising out of or in connection with any infringement by products including this IC of patents owned by a third party.

■ Characteristics (Reference Data)

1. Current consumption vs. Power supply voltage

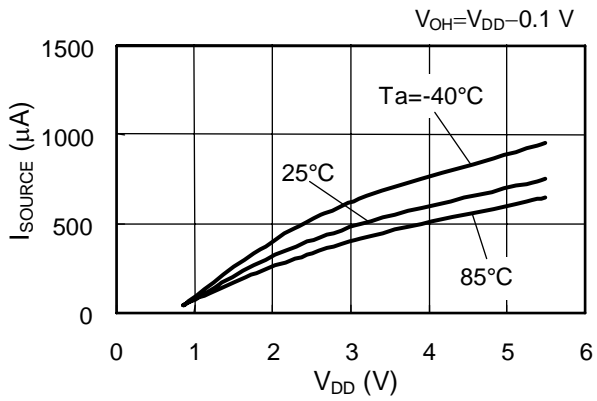


2. Voltage gain vs. Frequency

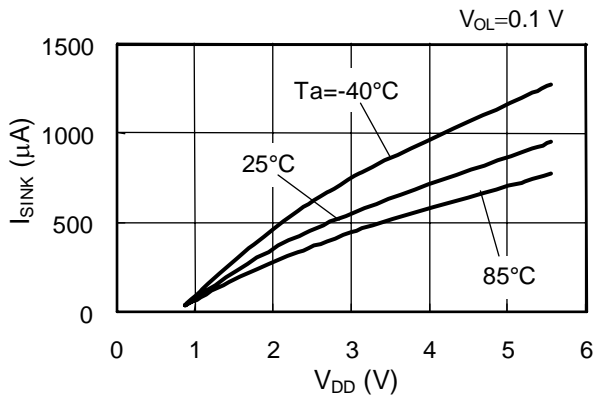


3. Output current

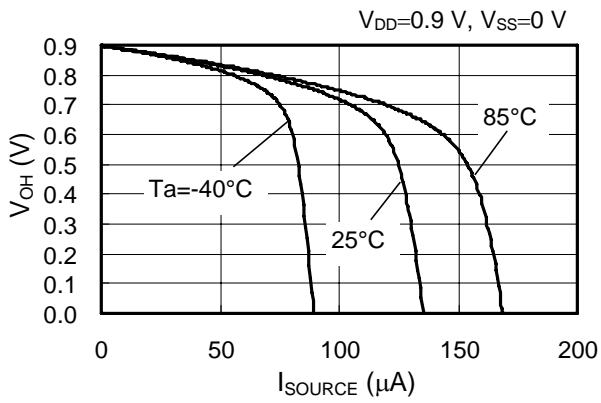
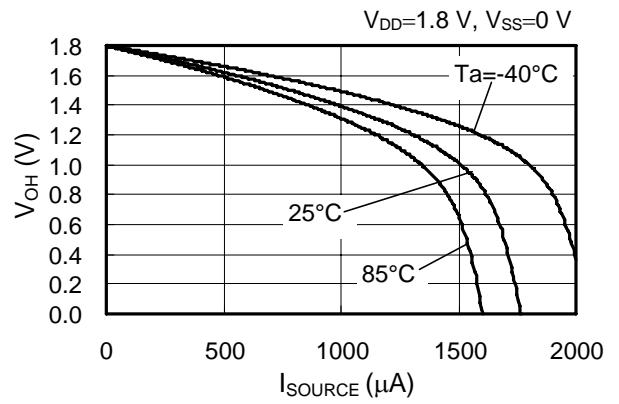
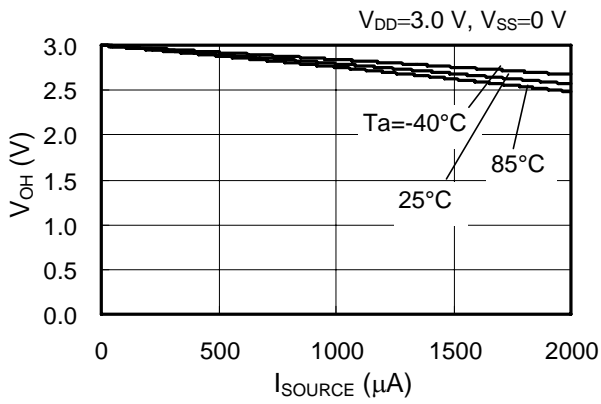
3-1. I_{SOURCE} vs. Power supply voltage



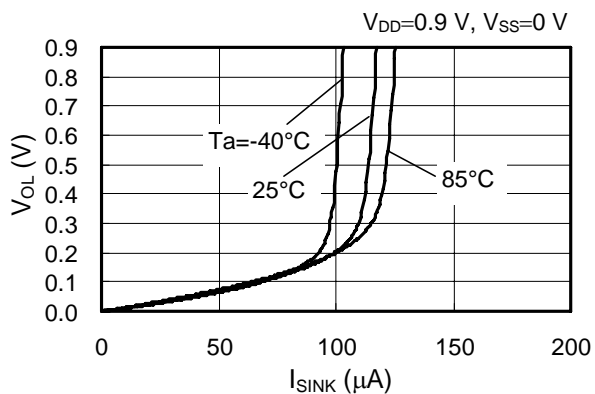
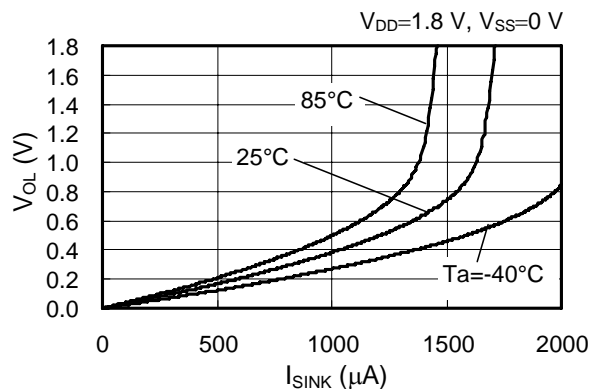
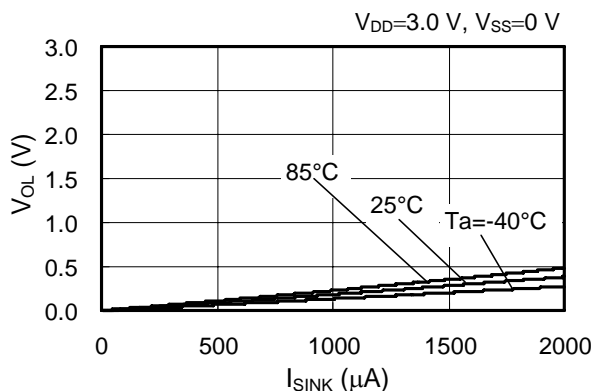
3-2. I_{SINK} vs. Power supply voltage



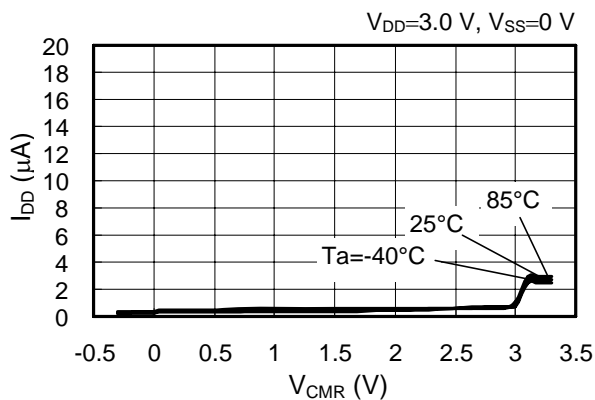
3-3. Output voltage (V_{OH}) vs I_{SOURCE}

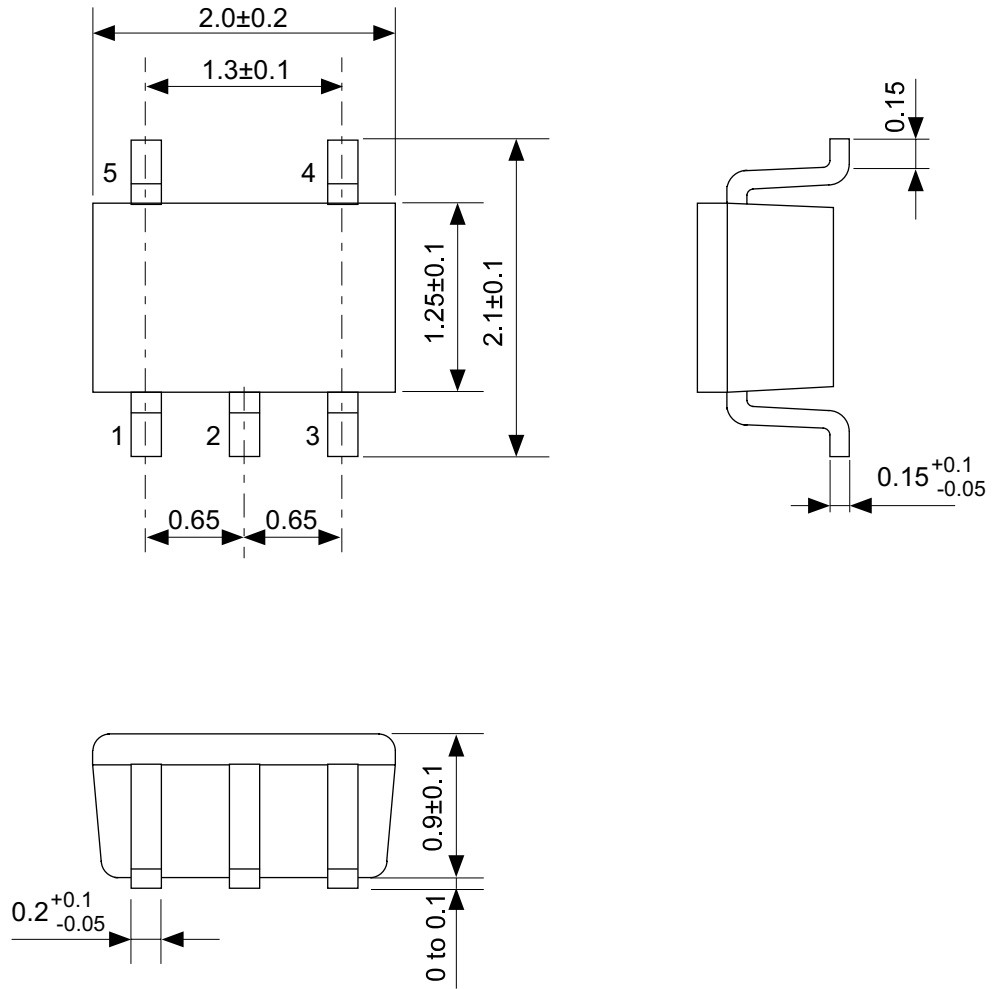


3-4. Output voltage (V_{OL}) vs. I_{SINK}



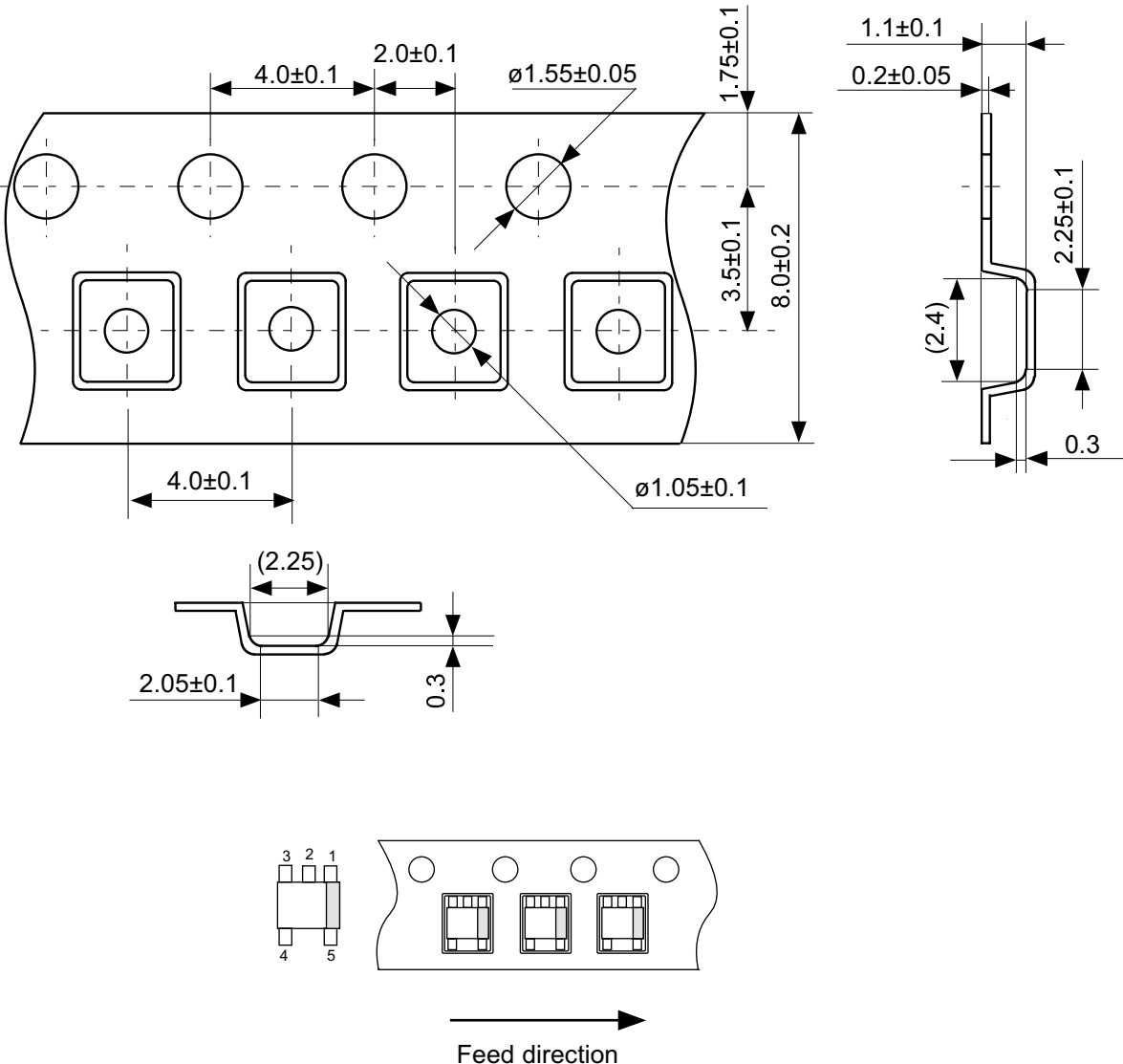
4. Current consumption vs. Common-mode input voltage (voltage follower configuration)





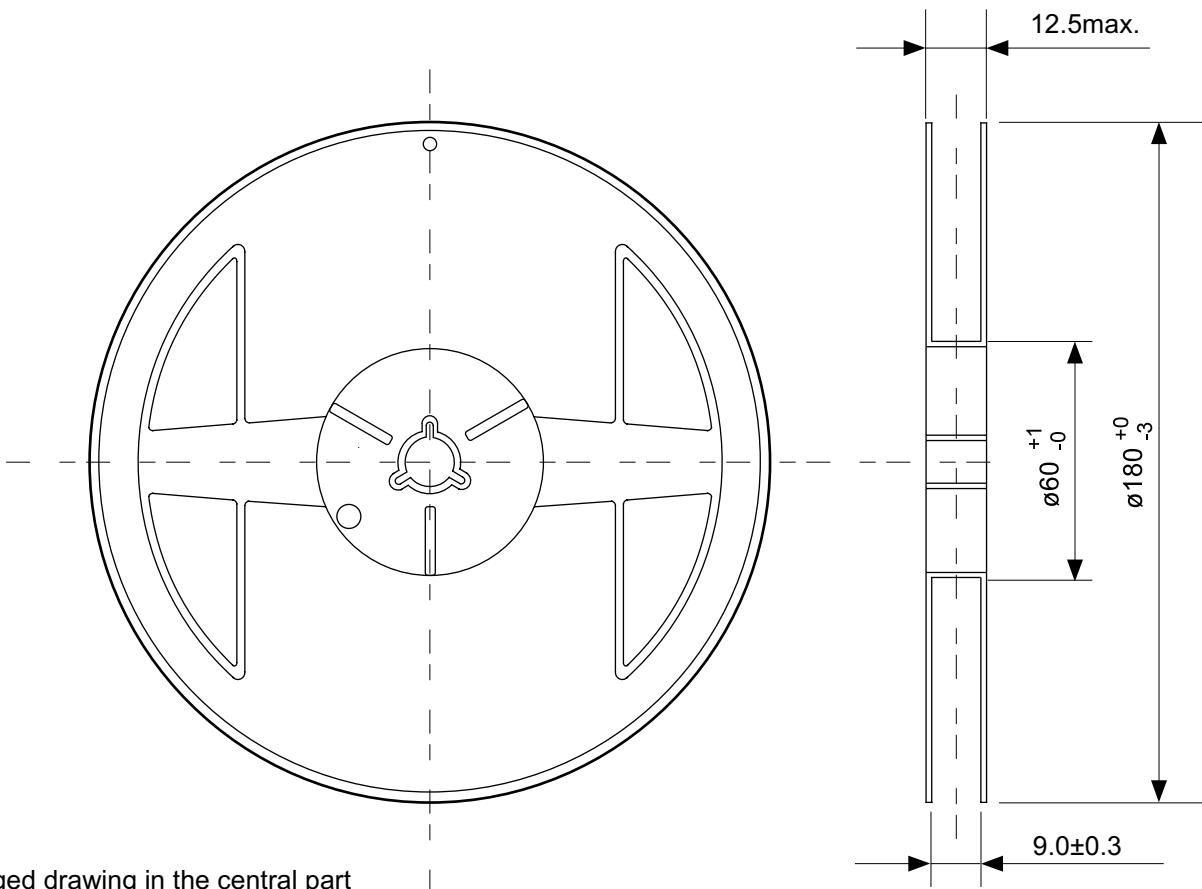
No. NP005-B-P-SD-1.1

TITLE	SC88A-B-PKG Dimensions
No.	NP005-B-P-SD-1.1
SCALE	
UNIT	mm

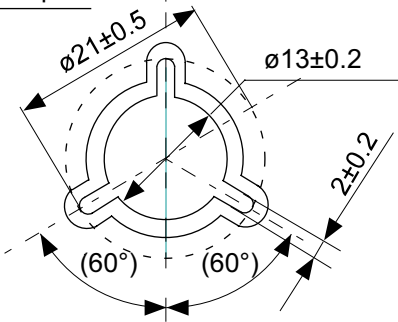


No. NP005-B-C-SD-2.0

TITLE	SC88A-B-Carrier Tape
No.	NP005-B-C-SD-2.0
SCALE	
UNIT	mm

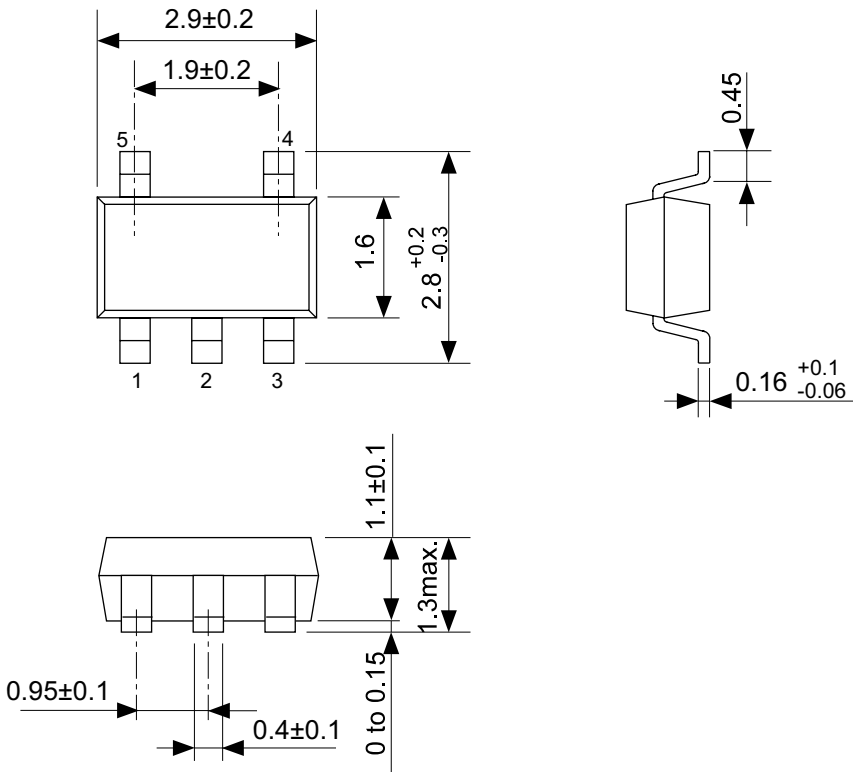


Enlarged drawing in the central part



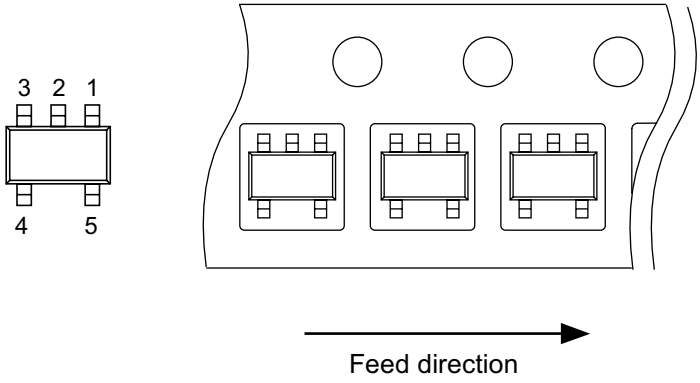
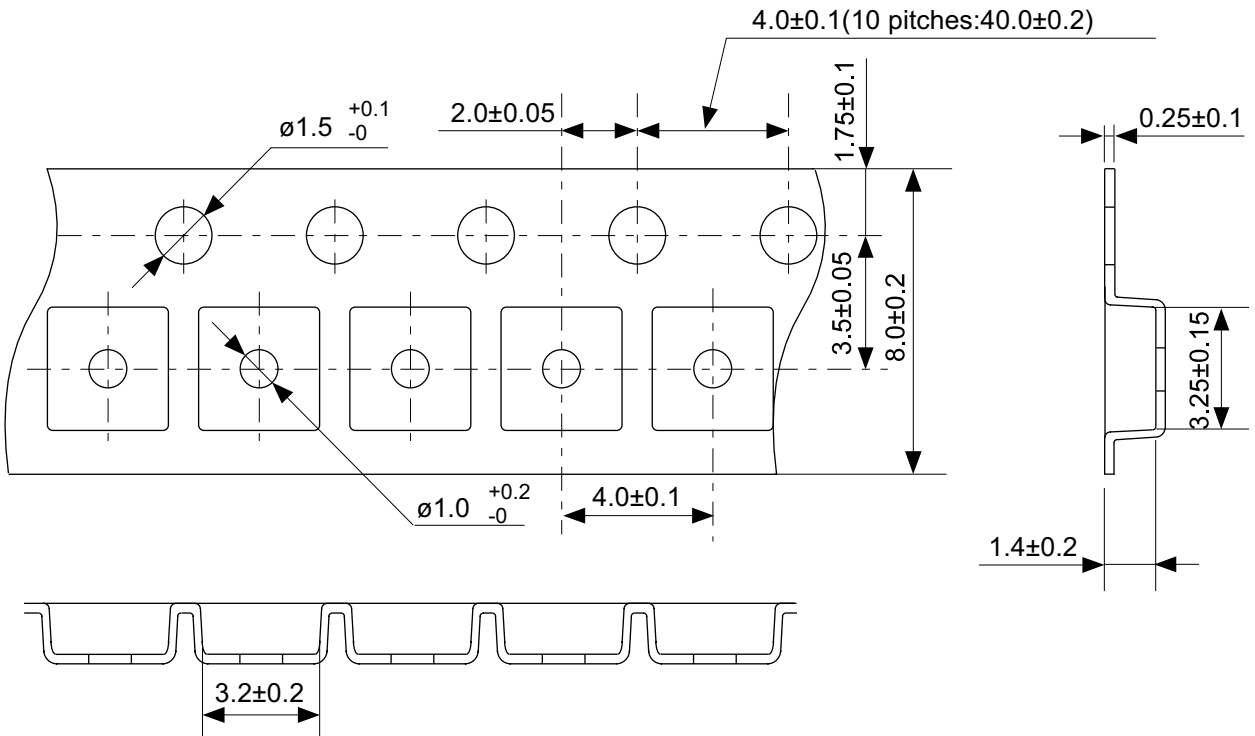
No. NP005-B-R-SD-2.1

TITLE	SC88A-B-Reel		
No.	NP005-B-R-SD-2.1		
SCALE		QTY.	3000
UNIT	mm		
Seiko Instruments Inc.			



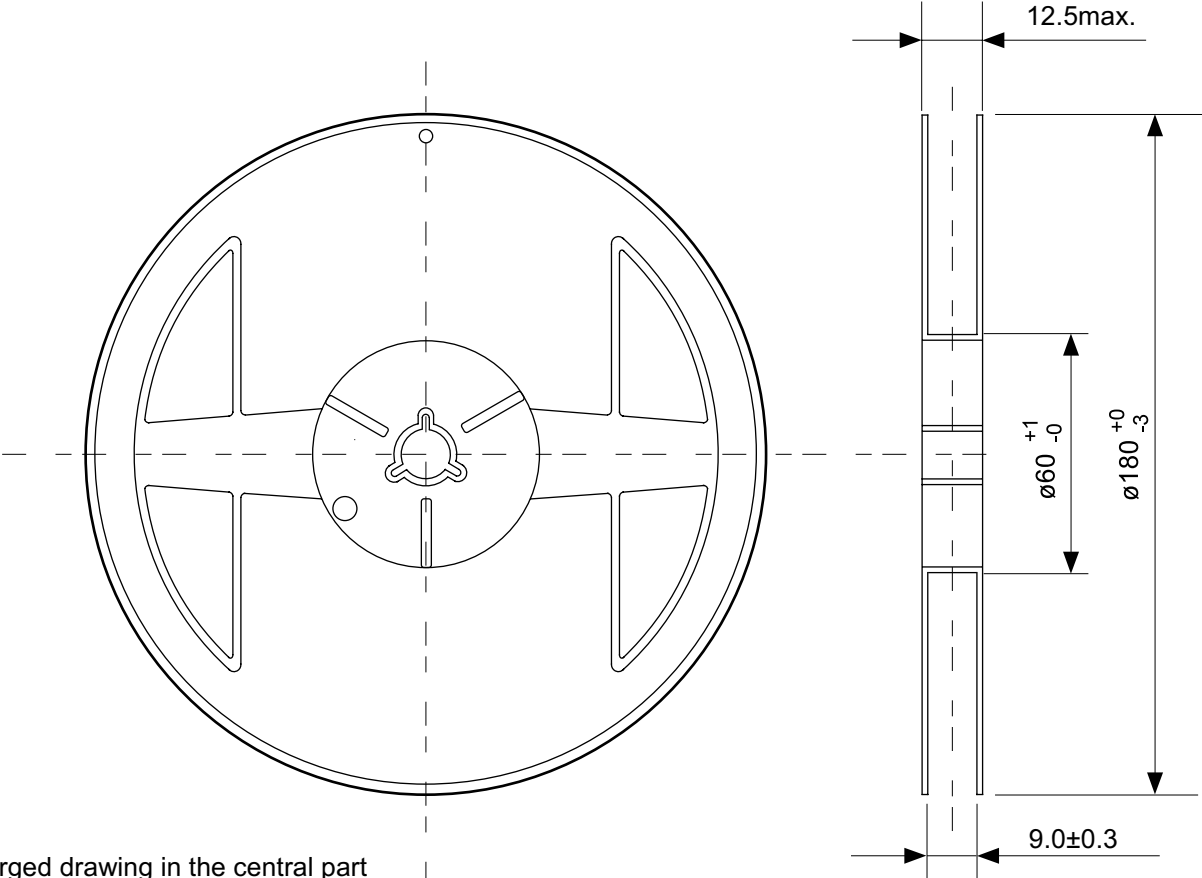
No. MP005-A-P-SD-1.2

TITLE	SOT235-A-PKG Dimensions
No.	MP005-A-P-SD-1.2
SCALE	
UNIT	mm

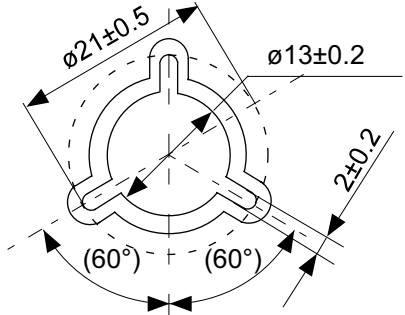


No. MP005-A-C-SD-2.1

TITLE	SOT235-A-Carrier Tape
No.	MP005-A-C-SD-2.1
SCALE	
UNIT	mm



Enlarged drawing in the central part



No. MP005-A-R-SD-1.1

TITLE	SOT235-A-Reel		
No.	MP005-A-R-SD-1.1		
SCALE		QTY.	3,000
UNIT	mm		

- The information described herein is subject to change without notice.
- Seiko Instruments Inc. is not responsible for any problems caused by circuits or diagrams described herein whose related industrial properties, patents, or other rights belong to third parties. The application circuit examples explain typical applications of the products, and do not guarantee the success of any specific mass-production design.
- When the products described herein are regulated products subject to the Wassenaar Arrangement or other agreements, they may not be exported without authorization from the appropriate governmental authority.
- Use of the information described herein for other purposes and/or reproduction or copying without the express permission of Seiko Instruments Inc. is strictly prohibited.
- The products described herein cannot be used as part of any device or equipment affecting the human body, such as exercise equipment, medical equipment, security systems, gas equipment, or any apparatus installed in airplanes and other vehicles, without prior written permission of Seiko Instruments Inc.
- Although Seiko Instruments Inc. exerts the greatest possible effort to ensure high quality and reliability, the failure or malfunction of semiconductor products may occur. The user of these products should therefore give thorough consideration to safety design, including redundancy, fire-prevention measures, and malfunction prevention, to prevent any accidents, fires, or community damage that may ensue.