

Contents

Features	1
Applications	1
Block Diagram	1
Selection Guide	2
Pin Assignment	3
Absolute Maximum Ratings	3
Electrical Characteristics	4
Test Circuits	9
Operation.....	10
External parts selection for DC-DC converter	13
Standard Circuits	17
Precautions	19
Application Circuits	20
Dimensions.....	25
Markings.....	25
Taping	26
Temperature Characteristics	29
Voltage Characteristics	31
Ripple Characteristics	32
Transient Responses	33
Operation Start Voltage and Operation Holding Voltage Characteristics for Output Current	35
Input Voltage Characteristics for Input Current ...	35
Reference Data	36
Frequently Asked Questions	45

The S-8323/8327 Series is a CMOS PWM-control step-up switching regulator which mainly consists of a reference voltage source, an oscillation circuit, a power MOS FET (for S-8323 Series) , and an error amplifier. The new PWM control circuit automatically changes the duty ratio from 0% to 83% according to the current load, offering products of a wide range, high efficiency. A step-up switching regulator is constructed by externally connecting only a coil, a capacitor and a diode to the S-8323 Series. This feature, along with its small package and low current consumption, makes the S-8323 Series ideal for the power supply of portable equipment. For applications requiring a high output current, products used with an external transistor (S-8327 Series) are also available.

■ **Features**

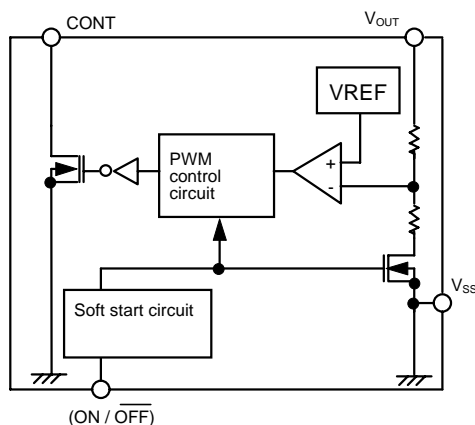
- Low voltage operation: 0.9 V ($I_{OUT} = 1\text{mA}$)
- Low current consumption :
 - During operation: 17.2 μA (typ.)
 - ($V_{OUT} = 3\text{V}$, 50 kHz)
 - During shutdown : 0.5 μA (max.)
- Duty ratio:
 - Built-in PWM control circuit
- External parts: coil, diode, and capacitor only
(a transistor is needed for the S-8327 Series.)
- Output voltage: accuracy of $\pm 2.4\%$
- Soft start function: 6 msec (typ.)
- Shutdown function
- External transistor type is available (S-8327 Series)
- SOT-23-5 small plastic package
- SOT-23-3 small plastic package
- SOT-89-3 miniature power molded plastic package
- Step-down and voltage-inverting type are available.

■ **Applications**

- Power supplies for portable equipment such as pagers, handy calculators, and remote controllers
- Constant voltage power supplies for cameras, video equipment, and communications equipment
- Power supply for microcomputers

■ **Block Diagram**

(1) S-8323 Series



(2) S-8327 Series

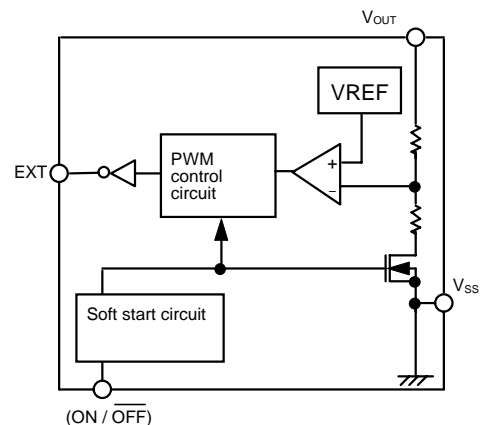


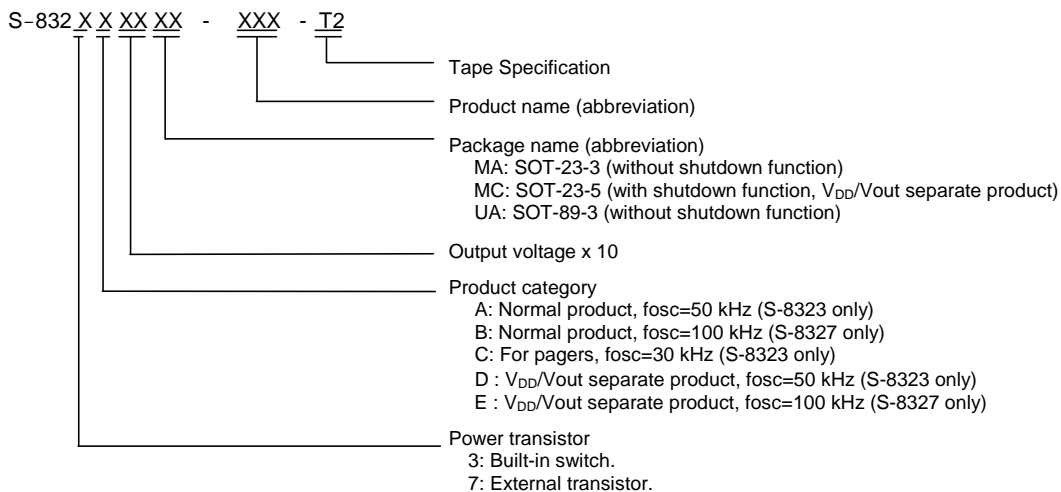
Figure 1 Block Diagram

SMALL PACKAGE PWM CONTROL STEP-UP SWITCHING REGULATOR

S-8323/8327 Series

■ Selection Guide

1. Product Name



2. Product list

Output voltage (V)	S-8323AXXMC Series	S-8323AXXMA Series	S-8323AXXUA Series	S-8323CXXMA Series	S-8323DXXMC Series
2.0	—	—	—	—	S-8323D20MC-EZA-T2
2.5	S-8323A25MC-ELF-T2	S-8323A25MA-ELF-T2	S-8323A25UA-ELF-T2	S-8323C25MA-ENF-T2	—
2.7	S-8323A27MC-ELH-T2	S-8323A27MA-ELH-T2	S-8323A27UA-ELH-T2	S-8323C27MA-ENH-T2	—
3.0	S-8323A30MC-ELK-T2	S-8323A30MA-ELK-T2	S-8323A30UA-ELK-T2	S-8323C30MA-ENK-T2	S-8323D30MC-EZK-T2
3.3	S-8323A33MC-ELN-T2	S-8323A33MA-ELN-T2	S-8323A33UA-ELN-T2	—	—
5.0	S-8323A50MC-EME-T2	S-8323A50MA-EME-T2	S-8323A50UA-EME-T2	—	S-8323D50MC-E3E-T2
5.2	S-8323A52MC-EMG-T2	—	—	—	—

Output voltage (V)	S-8327BXXMC Series	S-8327BXXMA Series	S-8327BXXUA Series	S-8327EXXMC Series
2.0	—	—	—	S-8327E20MC-EVA-T2
2.5	S-8327B25MC-ERF-T2	S-8327B25MA-ERF-T2	S-8327B25UA-ERF-T2	—
2.7	S-8327B27MC-ERH-T2	S-8327B27MA-ERH-T2	S-8327B27UA-ERH-T2	—
2.8	S-8327B28MC-ERI-T2	—	—	—
3.0	S-8327B30MC-ERK-T2	S-8327B30MA-ERK-T2	S-8327B30UA-ERK-T2	—
3.3	S-8327B33MC-ERN-T2	S-8327B33MA-ERN-T2	S-8327B33UA-ERN-T2	—
3.6	S-8327B36MC-ERQ-T2	—	—	—
5.0	S-8327B50MC-ESE-T2	S-8327B50MA-ESE-T2	S-8327B50UA-ESE-T2	S-8327E50MC-EKE-T2
5.4	S-8327B54MC-ESI-T2	—	—	—

Consult our sales person for products with an output voltage other than specified above.

3. Function List

Product Name	Built In power transistor	with external power transistor	Switching frequency (kHz)	shutdown function	V_{DD}/V_{OUT} separate type	Package	Application	Reference page
S-8323AXXMC	Yes	—	50	Yes	—	SOT-23-5	With shutdown function	—
S-8323AXXMA	Yes	—	50	—	—	SOT-23-3	Without shutdown function	—
S-8323AXXUA	Yes	—	50	—	—	SOT-89-3	Without shutdown function	—
S-8323DXXMC	Yes	—	50	—	Yes	SOT-23-5	For variable output voltage by step-up DC/DC converter and step-down, inverted output DC/DC converter with an external resistor	Page 16
S-8323CXXMA	Yes	—	30	—	—	SOT-23-3	For pagers	—
S-8327BXXMC	—	Yes	100	Yes	—	SOT-23-5	For large load current with shutdown function	Pages 15 and 16
S-8327BXXMA	—	Yes	100	—	—	SOT-23-3	For large load current without shutdown function	Pages 15 and 16
S-8327BXXUA	—	Yes	100	—	—	SOT-89-3	For large load current without shutdown function	Pages 15 and 16
S-8327EXXMC	—	Yes	100	—	Yes	SOT-23-5	For variable output voltage by step-up DC/DC converter with an external resistor	Page 16

SMALL PACKAGE PWM CONTROL STEP-UP SWITCHING REGULATOR

S-8323/8327 Series

Pin Assignment

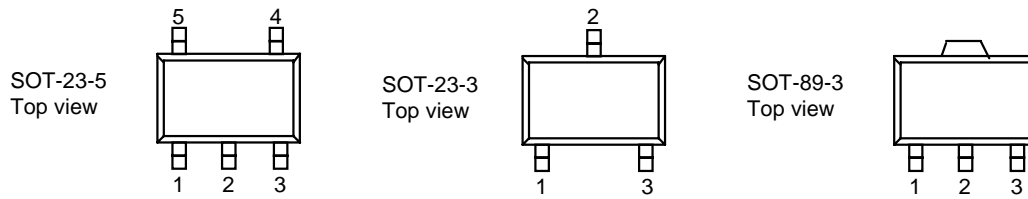


Figure 2

- S-8323AXXMC, S-8327BXXMC
SOT-23-5

Pin No.	Pin name	Functions
1	ON / $\overline{\text{OFF}}$	Shutdown pin “H”: normal operation (stepping up operation) “L”: stop stepping up (whole circuit stop)
2	V_{OUT}	Output voltage pin and power supply pin
3	—	N.C. (Non Connection)
4	V_{SS}	GND pin
5	CONT	External inductor connection pin (for S-8323 Series)
	EXT	External transistor connection pin (for S-8327 Series)

- S-8323DXXMC, S-8327EXXMC
SOT-23-5

Pin No.	Pin name	Functions
1	V_{OUT}	Output voltage pin
2	V_{DD}	Power supply pin
3	—	N.C. (Non Connection)
4	V_{SS}	GND pin
5	CONT	External inductor connection pin (for S-8323 Series)
	EXT	External transistor connection pin (for S-8327 Series)

- S-8323AXXMA, S-8323AXXUA, S-8323CXXMA
S-8327BXXMA, S-8327BXXUA
SOT-23-3, SOT-89-3

Pin No.	Pin name	Functions
1	V_{SS}	GND pin
2	V_{OUT}	Output voltage pin and power supply pin
3	CONT	External inductor connection pin (for S-8323 Series)
	EXT	External transistor connection pin (for S-8327 Series)

Absolute Maximum Ratings

Note: A protect circuit for static electricity is built into this IC chip.

However, prevent a charge of static electricity which exceeds the capacity of the protect circuit.

(Unless otherwise specified: $T_a=25^\circ\text{C}$)

Parameter	Symbol	Ratings	Unit	
V_{OUT} pin voltage	V_{OUT}	11	V	
ON/OFF pin voltage	ON/OFF	$V_{\text{SS}} - 0.3$ to 11	V	
CONT pin voltage	V_{CONT}	11	V	
CONT pin current	I_{CONT}	300	mA	
EXT pin voltage	V_{EXT}	$V_{\text{SS}} - 0.3$ to $V_{\text{OUT}}+0.3$	V	
EXT pin current	I_{EXT}	± 50	mA	
Power dissipation	PD	SOT-89-3	500	mW
		SOT-23-5, SOT-23-3	150	
Operating temperature	T_{OPR}	-40 to +85	$^\circ\text{C}$	
Storage temperature	T_{STG}	-40 to +125	$^\circ\text{C}$	

SMALL PACKAGE PWM CONTROL STEP-UP SWITCHING REGULATOR

S-8323/8327 Series

Electrical Characteristics

1-1.S-8323AXXMC

(Unless otherwise specified: Ta=25°C)

Parameter	Symbol	Conditions	Min.	Typ.	Max.	Unit	Test circuit	
Output voltage	V _{OUT}		S-8323A52MC	4.075	5.200	5.325	V	1
			S-8323A50MC	4.880	5.000	5.120		
			S-8323A33MC	3.221	3.300	3.379		
			S-8323A30MC	2.928	3.000	3.072		
			S-8323A27MC	2.635	2.700	2.765		
		S-8323A25MC	2.440	2.500	2.560			
Input voltage	V _{IN}		—	—	9			
Operation start voltage	V _{ST1}	I _{OUT} =1mA	—	—	0.9			
Oscillation start voltage	V _{ST2}	No external parts, voltage applied to V _{OUT} CONT pulled up to 5 V by 10kΩ	—	—	0.8		2	
Operation holding voltage	V _{HLD}	I _{OUT} =1mA, Measured by decreasing V _{IN} voltage gradually	0.7	—	—		1	
Current consumption 1	I _{SS1}	V _{OUT} =output voltage×0.95	S-8323A52MC	—	31.6	52.6	μA	2
			S-8323A50MC	—	30.2	50.3		
			S-8323A33MC	—	19.1	31.8		
			S-8323A30MC	—	17.2	28.7		
			S-8323A27MC	—	15.5	25.9		
		S-8323A25MC	—	14.3	23.9			
Current consumption 2	I _{SS2}	V _{OUT} =output voltage+0.5	S-8323A52MC	—	3.5	6.9	μA	2
			S-8323A50MC	—	3.5	6.9		
			S-8323A33MC	—	3.3	6.5		
			S-8323A30MC	—	3.2	6.4		
			S-8323A27MC	—	3.2	6.4		
		S-8323A25MC	—	3.2	6.3			
Current consumption during shutdown	I _{SSS}	shutdown pin=0V	—	—	0.5			
Switching current	I _{SW}	V _{CONT} =0.4V	S-8323A52MC	114	182	—	mA	—
			S-8323A50MC	114	182	—		
			S-8323A33MC	78	125	—		
			S-8323A30MC	78	125	—		
			S-8323A27MC	61	98	—		
		S-8323A25MC	61	98	—			
Switchin transistor leak current	I _{SWQ}	V _{OUT} = V _{CONT} =10V	—	—	1.0	μA	—	
Line regulation	ΔV _{OUT1}	V _{IN} =output voltage×0.4 to ×0.6	—	30	60	mV	1	
Load regulation	ΔV _{OUT2}	I _{OUT} =10μA to I _{OUT} (below) ×1.25	—	30	60			
Output voltage temperature coefficient	ΔV _{OUT} /ΔTa	Ta=-40°C to +85°C	S-8323A52MC	—	±0.26	—	mV/°C	1
			S-8323A50MC	—	±0.25	—		
			S-8323A33MC	—	±0.17	—		
			S-8323A30MC	—	±0.15	—		
			S-8323A27MC	—	±0.14	—		
		S-8323A25MC	—	±0.13	—			
Oscillation frequency	fosc	V _{OUT} =output voltage×0.95 Measured waveform at CONT pin	42.5	50	57.5	kHz	2	
Max. duty ratio	MaxDuty	V _{OUT} =output voltage×0.95 Measured waveform at CONT pin	75	83	90	%		
Shutdown pin Input voltage (ON/OFF type)	VSH	V _{OUT} =output voltage×0.95 Measured the oscillation at CONT pin	0.75	—	—	V	2	
	VSL1	V _{OUT} =output voltage×0.95 When V _{OUT} ≥1.5V	—	—	0.3			
	VSL2	Judged the stop of oscillation at CONT pin When V _{OUT} <1.5V	—	—	0.2			
Soft start time	T _{SS}		3.0	6.0	12.0	ms	—	
Efficiency	EFF1		S-8323A52MC	—	87	—	%	1
			S-8323A50MC	—	87	—		
			S-8323A33MC	—	83	—		
			S-8323A30MC	—	83	—		
			S-8323A27MC	—	79	—		
		S-8323A25MC	—	79	—			

External parts used:

- Coil: CD54 (100μH) of Sumida Electric Co., Ltd.
- Diode: MA720 (Schottky type) of Matsushita Electronic Components Co., Ltd.
- Capacitor: F93 (16V, 22μF, tantalum type) of Nichicon Corporation)

Applied V_{IN}=output voltage×0.6, applied, I_{OUT}=output voltage/250Ω
The shutdown pin is connected to V_{OUT} pin.

Note 1: The output voltage specified above is the typical value.

SMALL PACKAGE PWM CONTROL STEP-UP SWITCHING REGULATOR

S-8323/8327 Series

1-2.S-8323AXXMA, S-8323AXXUA, S-8323DXXMC

(Unless otherwise specified: Ta=25°C)

Parameter	Symbol	Conditions	Min.	Typ.	Max.	Unit	Test circuit	
Output voltage	-V _{OUT}		S-8323X50XX	4.880	5.000	5.120	V	1
			S-8323X33XX	3.221	3.300	3.379		
			S-8323X30XX	2.928	3.000	3.072		
			S-8323X27XX	2.635	2.700	2.765		
			S-8323X25XX	2.440	2.500	2.560		
S-8323X20XX	1.952	2.000	2.048					
Input voltage	V _{IN}		—	—	9			
Operation start voltage	V _{ST1}	I _{OUT} =1mA	—	—	0.9			
Oscillation start voltage	V _{ST2}	No external parts, voltage applied to V _{OUT} CONT pulled up to 5 V by 10kΩ	—	—	0.8		2	
Operation holding voltage	V _{HLD}	I _{OUT} =1mA, Measured by decreasing V _{IN} voltage gradually.	0.7	—	—		1	
Current consumption 1	I _{SS1}	V _{OUT} =output voltage×0.95	S-8323X50XX	—	30.2	50.3	μA	2
			S-8323X33XX	—	19.1	31.8		
			S-8323X30XX	—	17.2	28.7		
			S-8323X27XX	—	15.5	25.9		
			S-8323X25XX	—	14.3	23.9		
S-8323X20XX	—	11.6	19.4					
Current consumption 2	I _{SS2}	V _{OUT} =output voltage+0.5	S-8323X50XX	—	3.5	6.9		
			S-8323X33XX	—	3.3	6.5		
			S-8323X30XX	—	3.2	6.4		
			S-8323X27XX	—	3.2	6.4		
			S-8323X25XX	—	3.2	6.3		
S-8323X20XX	—	3.1	6.2					
Switching current	I _{SW}	V _{CONT} =0.4V	S-8323X50XX	114	182	—	mA	—
			S-8323X33XX	78	125	—		
			S-8323X30XX	78	125	—		
			S-8323X27XX	61	98	—		
			S-8323X25XX	61	98	—		
S-8323X20XX	45	71	—					
Switchin transistor leak current	I _{SWQ}	V _{OUT} = V _{CONT} =9V	—	—	1.0	μA		
Line regulation	ΔV _{OUT1}	V _{IN} = output voltage ×0.4 to ×0.6	—	30	60	mV		
Load regulation	ΔV _{OUT2}	I _{OUT} =10μA to I _{OUT} (below) ×1.25	—	30	60			
Output voltage temperature coefficient	ΔV _{OUT} /ΔTa	Ta=-40°C to +85°C	S-8323X50XX	—	±0.25	—	mV/°C	1
			S-8323X33XX	—	±0.17	—		
			S-8323X30XX	—	±0.15	—		
			S-8323X27XX	—	±0.14	—		
			S-8323X25XX	—	±0.13	—		
S-8323X20XX	—	±0.10	—					
Oscillation frequency	fosc	V _{OUT} =output voltage×0.95 Measured waveform at CONT pin	42.5	50	57.5	kHz	2	
Max.duty ratio	MaxDuty	V _{OUT} =output voltage×0.95 Measured waveform at CONT pin	75	83	90	%		
Soft start time	T _{SS}		3.0	6.0	12.0	ms	—	
Efficiency	EFFI		S-8323X50XX	—	87	—	%	2
			S-8323X33XX	—	83	—		
			S-8323X30XX	—	83	—		
			S-8323X27XX	—	79	—		
			S-8323X25XX	—	79	—		
S-8323X20XX	—	75	—					

External parts used:

- Coil: CD54 (100μH) of Sumida Electric Co., Ltd.
- Diode: MA720 (Schottky type) of Matsushita Electronic Components Co., Ltd.
- Capacitor: F93 (16V, 22μF, tantalum type) of Nichicon Corporation)

Applied V_{IN}=output voltage×0.6, I_{OUT}=output voltage/250Ω

The V_{DD} pin is connected to V_{OUT} pin for V_{DD}/V_{OUT} separate product.

Note 1: The output voltage specified above is the typical value.

Note 2: V_{DD}/V_{OUT} Separate products:

Boot operation is performed from V_{DD}=0.8V.

However, 2.0 V or more for V_{DD} is recommended to stabilize the output voltage and oscilation frequency.

SMALL PACKAGE PWM CONTROL STEP-UP SWITCHING REGULATOR

S-8323/8327 Series

1-3. S-8323CXXMA

(Unless otherwise specified: Ta=25°C)

Parameter	Symbol	Conditions	Min.	Typ.	Max.	Unit	Test circuit	
Output voltage	V _{OUT}		S-8323C30MA	2.928	3.000	3.072	V	1
			S-8323C27MA	2.635	2.700	2.765		
			S-8323C25MA	2.440	2.500	2.560		
Input voltage	V _{IN}		—	—	9			
Operation start voltage	V _{ST1}	I _{OUT} =1mA	—	—	0.9			
Oscillation start voltage	V _{ST2}	No external parts, voltage applied to V _{OUT} CONT pulled up to 5 V by 10kΩ	—	—	0.8		2	
Operation holding voltage	V _{HLD}	Measured by decreasing V _{IN} voltage gradually.	0.7	—	—		1	
Current consumption 1	I _{SS1}	V _{OUT} =output voltage×0.95	S-8323C30MA	—	11.6	19.3	μA	2
			S-8323C27MA	—	10.5	17.5		
			S-8323C25MA	—	9.8	16.3		
Current consumption 2	I _{SS2}	V _{OUT} =output voltage+0.5	S-8323C30MA	—	3.0	5.9	μA	2
			S-8323C27MA	—	2.9	5.8		
			S-8323C25MA	—	2.9	5.8		
Switching current	I _{SW}	V _{CONT} =0.4V	S-8323C30MA	78	125	—	mA	—
			S-8323C27MA	61	98	—		
			S-8323C25MA	61	98	—		
Switching transistor leak current	I _{SWQ}	V _{OUT} = V _{CONT} =9V	—	—	1.0	μA		
Line regulation	ΔV _{OUT1}	V _{IN} = output voltage ×0.4 to ×0.6	—	30	60	mV		
Load regulation	ΔV _{OUT2}	I _{OUT} =10μA to I _{OUT} (below) ×1.25	—	30	60	mV		
Output voltage temperature coefficient	ΔV _{OUT} /ΔTa	Ta=-40°C to +85°C	S-8323C30MA	—	±0.15	—	mV/°C	1
			S-8323C27MA	—	±0.14	—		
			S-8323C25MA	—	±0.13	—		
Oscillation frequency	fosc	V _{OUT} =output voltage×0.95 Measured waveform at CONT pin	25	30	35	kHz	2	
Max. duty ratio	MaxDuty	V _{OUT} =output voltage×0.95 Measured waveform at CONT pin	75	83	90	%		
Soft start time	T _{SS}		3.0	6.0	12.0	ms	—	
Efficiency	EFFI		S-8323C30MA	—	81	—	%	2
			S-8323C27MA	—	77	—		
			S-8323C25MA	—	77	—		

External parts used:

- Coil: CD54 (100μH) of Sumida Electric Co., Ltd.
- Diode: MA720 (Schottky type) of Matsushita Electronic Components Co., Ltd.
- Capacitor: F93 (16V, 22μF, tantalum type) of Nichicon Corporation)

Applied V_{IN}=output voltage×0.6, I_{OUT}=output voltage/250Ω

Note 1: The output voltage specified above is the typical value of the output voltage.

SMALL PACKAGE PWM CONTROL STEP-UP SWITCHING REGULATOR

S-8323/8327 Series

2-1. S-8327BXXMC

(Unless otherwise specified: Ta=25°C)

Parameter	Symbol	Conditions	Min.	Typ.	Max.	Unit	Test circuit	
Output voltage	V _{OUT}		S-8327B54MC	5.270	5.400	5.530	V	3
			S-8327B50MC	4.880	5.000	5.120		
			S-8327B36MC	3.514	3.600	3.686		
			S-8327B33MC	3.221	3.300	3.379		
			S-8327B30MC	2.928	3.000	3.072		
			S-8327B28MC	2.733	2.800	2.867		
			S-8327B27MC	2.635	2.700	2.765		
		S-8327B25MC	2.440	2.500	2.560			
Input voltage	V _{IN}		—	—	9			
Operation start voltage	V _{ST1}	I _{OUT} =1mA	—	—	0.9			
Oscillation start voltage	V _{ST2}	No external parts, voltage applied to V _{OUT}	—	—	0.8		4	
Operation holding voltage	V _{HLD}	I _{OUT} =1mA, Measured by decreasing V _{IN} voltage gradually.	0.7	—	—		3	
Current consumption 1	I _{SS1}	V _{OUT} =output voltage×0.95	S-8327B54MC	—	41.0	68.3	μA	4
			S-8327B50MC	—	37.6	62.6		
			S-8327B36MC	—	26.0	43.3		
			S-8327B33MC	—	23.7	39.5		
			S-8327B30MC	—	21.4	35.7		
			S-8327B28MC	—	20.0	33.3		
			S-8327B27MC	—	19.2	32.0		
		S-8327B25MC	—	17.8	29.7			
Current consumption 2	I _{SS2}	V _{OUT} =output voltage+0.5	S-8327B54MC	—	4.2	8.3	μA	4
			S-8327B50MC	—	4.2	8.3		
			S-8327B36MC	—	4.0	7.9		
			S-8327B33MC	—	4.0	7.9		
			S-8327B30MC	—	3.9	7.8		
			S-8327B28MC	—	3.9	7.8		
			S-8327B27MC	—	3.9	7.7		
		S-8327B25MC	—	3.9	7.7			
Current consumption while shutdown	I _{SSS}	shutdown pin=0V	—	—	0.5			
EXT pin output current	I _{EXTH}	V _{EXT} =-0.4V	S-8327B54MC	-5.3	-8.0	—	mA	—
			S-8327B50MC	-5.3	-8.0	—		
			S-8327B36MC	-3.5	-5.3	—		
			S-8327B33MC	-3.5	-5.3	—		
			S-8327B30MC	-3.5	-5.3	—		
			S-8327B28MC	-2.7	-4.0	—		
			S-8327B27MC	-2.7	-4.0	—		
			S-8327B25MC	-2.7	-4.0	—		
	I _{EXTL}	V _{EXT} =0.4V	S-8327B54MC	10.7	16.0	—		
			S-8327B50MC	10.7	16.0	—		
			S-8327B36MC	7.0	10.5	—		
			S-8327B33MC	7.0	10.5	—		
			S-8327B30MC	7.0	10.5	—		
			S-8327B28MC	5.3	8.0	—		
S-8327B27MC			5.3	8.0	—			
		S-8327B25MC	5.3	8.0	—			
Line regulation	ΔV _{OUT1}	V _{IN} =output voltage×0.4 to ×0.6	—	30	60	mV		
Load regulation	ΔV _{OUT2}	I _{OUT} =10μA to I _{OUT} (below) ×1.25	—	30	60	mV		
Output voltage temperature coefficient	ΔV _{OUT} /ΔTa	Ta=-40°C to +85°C	S-8327B54MC	—	±0.27	—	mV/°C	3
			S-8327B50MC	—	±0.25	—		
			S-8327B36MC	—	±0.18	—		
			S-8327B33MC	—	±0.17	—		
			S-8327B30MC	—	±0.15	—		
			S-8327B28MC	—	±0.14	—		
			S-8327B27MC	—	±0.14	—		
		S-8327B25MC	—	±0.13	—			
Oscillation frequency	f _{osc}	V _{OUT} =output voltage×0.95 Measure waveform at EXT pin	85	100	115	kHz		
Max. duty ratio	MaxDuty	V _{OUT} =output voltage×0.95 Measure waveform at EXT pin	75	83	90	%		
Shutdown pin Input voltage (ON/OFF type)	VSH	V _{OUT} =output voltage×0.95 Judged the oscillation at EXT pin	0.75	—	—	V	4	
	VSL1	V _{OUT} =output voltage×0.95 When V _{OUT} ≥1.5V	—	—	0.3			
	VSL2	Judged the stop of oscillation at CONT pin When V _{OUT} <1.5V	—	—	0.2			
Soft start time	T _{SS}		3.0	6.0	12.0	ms	—	
Efficiency	EFFI		S-8327B54MC	—	88	—	%	3
			S-8327B50MC	—	88	—		
			S-8327B36MC	—	84	—		
			S-8327B33MC	—	84	—		
			S-8327B30MC	—	84	—		
			S-8327B28MC	—	80	—		
			S-8327B27MC	—	80	—		
		S-8327B25MC	—	80	—			

External parts used:

- Coil: CD54 (47μH) of Sumida Electric Co., Ltd.
- Diode: MA720 (Schottky type) of Matsushita Electronic Components Co., Ltd.
- Capacitor: F93 (16V, 47μF, tantalum type) of Nichicon Corporation)
- Transistor: 2SD1628G of Sanyo Electronics
- Base Resistance (Rb): 1.0kΩ
- Base Capacitor (Cb): 2200 pF

Applied V_{IN}=output voltage×0.6, I_{OUT}=output voltage/50Ω

The shutdown pin is connected to V_{OUT} pin.

Note 1: The output voltage specified above is the typical value.

SMALL PACKAGE PWM CONTROL STEP-UP SWITCHING REGULATOR

S-8323/8327 Series

2-2.S-8327BXXMA, S-8327BXXUA, S-8327EXXMC

(Unless otherwise specified: Ta=25°C)

Parameter	Symbol	Conditions	Min.	Typ.	Max.	Unit	Test circuit	
Output voltage	V _{OUT}		S-8327X50XX	4.880	5.000	5.120	V	3
			S-8327X33XX	3.221	3.300	3.379		
			S-8327X30XX	2.928	3.000	3.072		
			S-8327X27XX	2.635	2.700	2.765		
			S-8327X25XX	2.440	2.500	2.560		
			S-8327X20XX	1.952	2.000	2.048		
Input voltage	V _{IN}		—	—	9			
Operation start voltage	V _{ST1}	I _{OUT} =1mA	—	—	0.9			
Oscillation start voltage	V _{ST2}	No external parts, voltage applied to V _{OUT}	—	—	0.8		4	
Operation holding voltage	V _{HLD}	I _{OUT} =1mA, Measured by decreasing V _{IN} voltage gradually B.	0.7	—	—		3	
Current consumption 1	I _{SS1}	V _{OUT} =output voltage×0.95	S-8327X50XX	—	37.6	62.6	μA	4
			S-8327X33XX	—	23.7	39.5		
			S-8327X30XX	—	21.4	35.7		
			S-8327X27XX	—	19.2	32.0		
			S-8327X25XX	—	17.8	29.7		
			S-8327X20XX	—	14.5	24.1		
Current consumption 2	I _{SS2}	V _{OUT} =output voltage+0.5	S-8327X50XX	—	4.2	8.3	μA	4
			S-8327X33XX	—	4.0	7.9		
			S-8327X30XX	—	3.9	7.8		
			S-8327X27XX	—	3.9	7.7		
			S-8327X25XX	—	3.9	7.7		
			S-8327X20XX	—	3.8	7.6		
EXT pin output current	I _{EXTH}	V _{CONT} =-0.4V	S-8327X50XX	-5.3	-8.0	—	mA	—
			S-8327X33XX	-3.5	-5.3	—		
			S-8327X30XX	-3.5	-5.3	—		
			S-8327X27XX	-2.7	-4.0	—		
			S-8327X25XX	-2.7	-4.0	—		
			S-8327X20XX	-1.9	-2.9	—		
	I _{EXTL}	V _{CONT} =0.4V	S-8327X50XX	10.7	16.0	—		
			S-8327X33XX	7.0	10.5	—		
			S-8327X30XX	7.0	10.5	—		
			S-8327X27XX	5.3	8.0	—		
			S-8327X25XX	5.3	8.0	—		
			S-8327X20XX	3.8	5.7	—		
Line regulation	ΔV _{OUT1}	V _{IN} =output voltage×0.4 to ×0.6	—	30	60	mV	3	
Load regulation	ΔV _{OUT2}	I _{OUT} =10μA to I _{OUT} (below) ×1.25	—	30	60	mV		
Output voltage temperature coefficient	ΔV _{OUT} /ΔTa	Ta=-40°C to +85°C	S-8327X50XX	—	±0.25	—	mV/°C	3
			S-8327X33XX	—	±0.17	—		
			S-8327X30XX	—	±0.15	—		
			S-8327X27XX	—	±0.14	—		
			S-8327X25XX	—	±0.13	—		
			S-8327X20XX	—	±0.10	—		
Oscillation frequency	f _{osc}	V _{OUT} =output voltage×0.95 Measured waveform at EXT pin	85	100	115	kHz	4	
Max. duty ratio	MaxDuty	V _{OUT} =output voltage×0.95 Measured waveform at EXT pin	75	83	90	%		
Soft start time	T _{SS}		3.0	6.0	12.0	ms	—	
Efficiency	EFFI		S-8327X50XX	—	88	—	%	3
			S-8327X33XX	—	84	—		
			S-8327X30XX	—	84	—		
			S-8327X27XX	—	80	—		
			S-8327X25XX	—	80	—		
			S-8327X20XX	—	76	—		

External parts used:

- Coil: CD54 (47μH) of Sumida Electric Co., Ltd.
- Diode: MA720 (Schottky type) of Matsushita Electronic Components Co., Ltd.
- Capacitor: F93 (16V, 47μF, tantalum type) of Nichicon Corporation)
- Transistor: 2SD1628G of Sanyo Electronics
- Base resistor (Rb): 1.0KΩ
- Base capacitor (Cb) : 2200pF (ceramic)

Applied V_{IN}=output voltage×0.6, I_{OUT}=output voltage/50Ω

The V_{DD} pin is connected to V_{OUT} pin for V_{DD}/V_{OUT} separate product.

Note 1: The output voltage specified above is the typical value.

Note 2: V_{DD}/V_{OUT} Separate products:

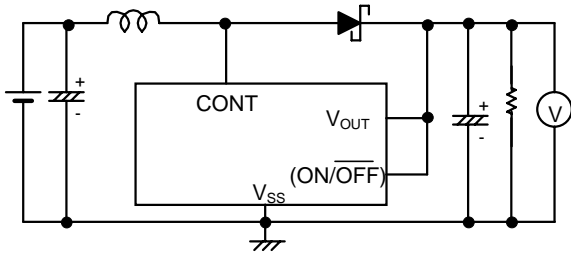
Boot operation is performed from V_{DD}=0.8V.

However, 2.0 V or more for V_{DD} is recommended to stabilize the output voltage and oscillation frequency.

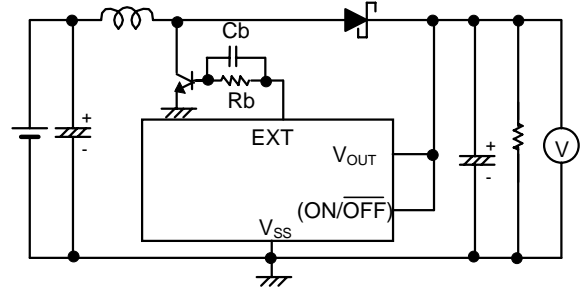
SMALL PACKAGE PWM CONTROL STEP-UP SWITCHING REGULATOR S-8323/8327 Series

■ Test Circuits

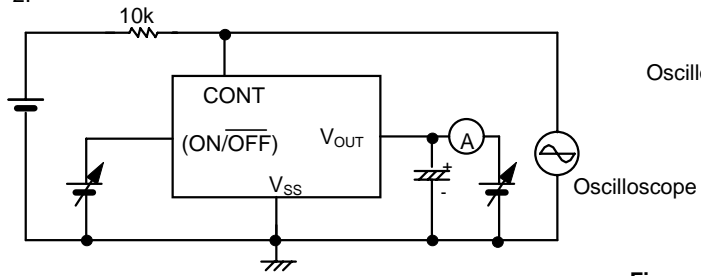
1.



3.



2.



4.

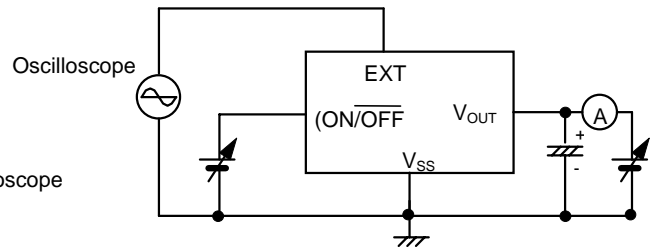


Figure 3

SMALL PACKAGE PWM CONTROL STEP-UP SWITCHING REGULATOR

S-8323/8327 Series

■ Operation

1. Step-Up DC/DC Converter

The S-8323/8327 Series is a step-up switching regulator using a pulse width modulation method (PWM) and DC/DC converter and features a low current consumption.

In conventional PFM DC/DC converters, pulses are skipped at low output load current, causing fluctuation in ripple frequency of the output voltage, with the result of increase in ripple voltage.

The S-8323/8327 series operates with the PWM control which changes the pulse width duty from 0% to 83% according to the load current.

The ripple voltage generated from switching can be removed easily through the filter because the switching frequency is constant.

The built-in soft start circuit controls a rush current and overshoot of the output voltage when powering on or the ON/OFF terminal turns to "H" level.

Shutdown pin: Stops or starts step-up operation.

(Only for SOT-23-5 package products of A and B Series.)

Turning the shutdown pin low stops operation of all the internal circuits and reduces current consumption significantly. DO NOT use the shutdown pin in floating state because it has a structure shown in Figure 4 and is not pulled up or pulled down internally. DO NOT apply voltage of between 0.3 V and 0.75 V to the shutdown pin because applying such voltage increases the current consumption. If the shutdown pin is not used, connect it to V_{OUT} pin.

The shutdown pin doesn't have hysteresis.

Shutdown pin	CR oscillation circuit	Output voltage
"H"	Operation	Fixed
"L"	Stop	$\sim V_{IN}^*$

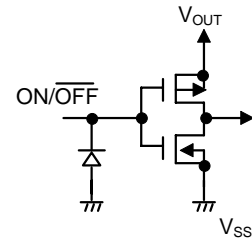


Figure 4

* Voltage obtained by extracting the voltage drop due to DC resistance of the inductor and the diode forward voltage from V_{IN} .

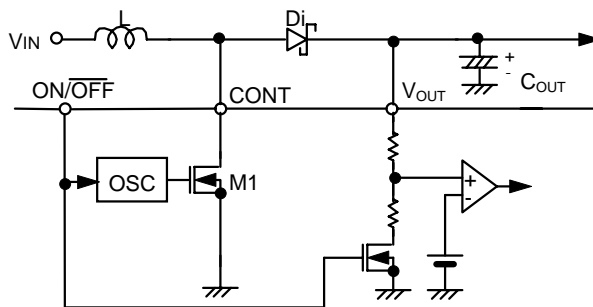


Figure 5

SMALL PACKAGE PWM CONTROL STEP-UP SWITCHING REGULATOR

S-8323/8327 Series

The following are basic equations [(1) through (7)] of the step-up switching regulator (see Figure 5.)

Voltage at CONT pin the moment M1 is turned ON (current I_L flowing through L is zero):

$$V_A = V_S \quad \dots\dots\dots(1)$$

(V_S : Non-saturated voltage of M1)

The change in I_L over time:

$$\frac{dI_L}{dt} = \frac{V_L}{L} = \frac{V_{IN} - V_S}{L} \quad \dots\dots\dots(2)$$

Integration of the above equation (I_L):

$$I_L = \left(\frac{V_{IN} - V_S}{L} \right) \cdot t \quad \dots\dots\dots(3)$$

I_L flows while M1 is ON (t_{ON}). The time of t_{ON} is determined by the oscillation frequency of the OSC.

The peak current (I_{PK}) after t_{ON} :

$$I_{PK} = \left(\frac{V_{IN} - V_S}{L} \right) \cdot t_{ON} \quad \dots\dots\dots(4)$$

The energy stored in L is represented with $1/2 L (I_{PK})^2$.

When M1 is turned OFF (t_{OFF}), the energy stored in L is transmitted through a diode to the output capacitor. Then reverse voltage (V_L) is generated.

$$V_L = (V_{OUT} + V_D) - V_{IN} \quad \dots\dots\dots(5)$$

(V_D : Diode forward voltage)

The voltage at CONT pin rises only by the voltage corresponding to $V_{OUT} + V_D$.

The change in the current flowing through the diode into V_{OUT} during t_{OFF} :

$$\frac{dI_L}{dt} = \frac{V_L}{L} = \frac{V_{OUT} + V_D - V_{IN}}{L} \quad \dots\dots\dots(6)$$

Integration of the above equation is as follows:

$$I_L = I_{PK} - \left(\frac{V_{OUT} + V_D - V_{IN}}{L} \right) \cdot t \quad \dots\dots\dots(7)$$

During t_{ON} , the energy is stored in L and is not transmitted to V_{OUT} . When receiving output current (I_{OUT}) from V_{OUT} , the energy of the capacitor (C_{OUT}) is consumed. As a result, the pin voltage of C_{OUT} is reduced, and goes to the lowest level after M1 is turned ON (t_{ON}). When M1 is turned OFF, the energy stored in L is transmitted through the diode to C_{OUT} , and the voltage of C_{OUT} rises drastically. V_{OUT} is a time function that indicates the maximum value (ripple voltage: V_{P-P}) when the current flowing through the diode into V_{OUT} and load current (I_{OUT}) match.

Next, the ripple voltage is found out as follows:

I_{OUT} vs t_1 (time) from when M1 is turned OFF (after t_{ON}) to when V_{OUT} reaches the maximum level:

$$I_{OUT} = I_{PK} - \left(\frac{V_{OUT} + V_D - V_{IN}}{L} \right) \cdot t_1 \quad \dots\dots\dots(8)$$

$$\therefore t_1 = (I_{PK} - I_{OUT}) \cdot \left(\frac{L}{V_{OUT} + V_D - V_{IN}} \right) \quad \dots\dots\dots(9)$$

When M1 is turned ON (after t_{OFF}), $I_L = 0$ (when the energy of the inductor is completely transmitted). Based on equation (7),

$$\left(\frac{L}{V_{OUT} + V_D - V_{IN}} \right) = \frac{t_{OFF}}{I_{PK}} \quad \dots\dots\dots(10)$$

SMALL PACKAGE PWM CONTROL STEP-UP SWITCHING REGULATOR
S-8323/8327 Series

When substituting equation (10) for equation (9),

$$t_1 = t_{OFF} - \left(\frac{I_{OUT}}{I_{PK}} \right) \cdot t_{OFF} \dots\dots\dots(11)$$

Electric charge ΔQ_1 which is charged in C_{OUT} during t_1 :

$$\begin{aligned} \Delta Q_1 &= \int_0^{t_1} I_i dt = I_{PK} \cdot \int_0^{t_1} dt - \frac{V_{OUT} + V_D - V_{IN}}{L} \cdot \int_0^{t_1} t dt \\ &= I_{PK} \cdot t_1 - \frac{V_{OUT} + V_D - V_{IN}}{L} \cdot \frac{1}{2} t_1^2 \dots\dots\dots(12) \end{aligned}$$

When substituting equation (12) for equation (9):

$$\Delta Q_1 = I_{PK} \cdot t_1 - \frac{1}{2} (I_{PK} - I_{OUT}) \cdot t_1 = \frac{I_{PK} + I_{OUT}}{2} \cdot t_1 \dots\dots\dots(13)$$

A rise in voltage (VP-P) due to ΔQ_1 :

$$V_{P-P} = \frac{\Delta Q_1}{C_{OUT}} = \frac{1}{C_{OUT}} \cdot \left(\frac{I_{PK} + I_{OUT}}{2} \right) \cdot t_1 \dots\dots\dots(14)$$

When taking into consideration I_{OUT} to be consumed during t_1 and ESR (Electric Series Resistance) of C_{OUT} , namely RESR:

$$V_{P-P} = \frac{\Delta Q_1}{C_{OUT}} = \frac{1}{C_{OUT}} \cdot \left(\frac{I_{PK} + I_{OUT}}{2} \right) \cdot t_1 + \left(\frac{I_{PK} + I_{OUT}}{2} \right) \cdot R_{ESR} - \frac{I_{OUT} \cdot t_1}{C_{OUT}} \dots\dots\dots(15)$$

When substituting equation (11) for equation (15):

$$V_{P-P} = \frac{(I_{PK} - I_{OUT})^2}{2I_{PK}} \cdot \frac{t_{OFF}}{C_{OUT}} + \left(\frac{I_{PK} + I_{OU}}{2} \right) \cdot R_{ESR} \dots\dots\dots(16)$$

Therefore to reduce the ripple voltage, it is important that the capacitor connected to the output pin has a large capacity and a small ESR.

SMALL PACKAGE PWM CONTROL STEP-UP SWITCHING REGULATOR

S-8323/8327 Series

External parts selection for DC-DC converter

The relationship between major characteristics of the step-up circuit and characteristics parameters of the external parts are shown in Figure 6.

for large output current?	for high efficiency?		for small ripple voltage
	operation efficiency	stand-by efficiency	
small inductance	large inductance		
small DC resistance of inductor			
			large output capacitance
external switching transistor (small ON resistance)		built-in switching transistor	
small resistance of external resistor Rb when an external switching transistor is used		large resistance of external resistor Rb when an external switching transistor is used.	

Figure 6 Relationship between major characteristics of the step-up circuit and external parts

SMALL PACKAGE PWM CONTROL STEP-UP SWITCHING REGULATOR

S-8323/8327 Series

1. Inductor

An inductance has strong influence on max. output current I_{OUT} and efficiency η .

Figure 7 shows I_{OUT} η characteristics for inductance of S-8323 and S-8327.

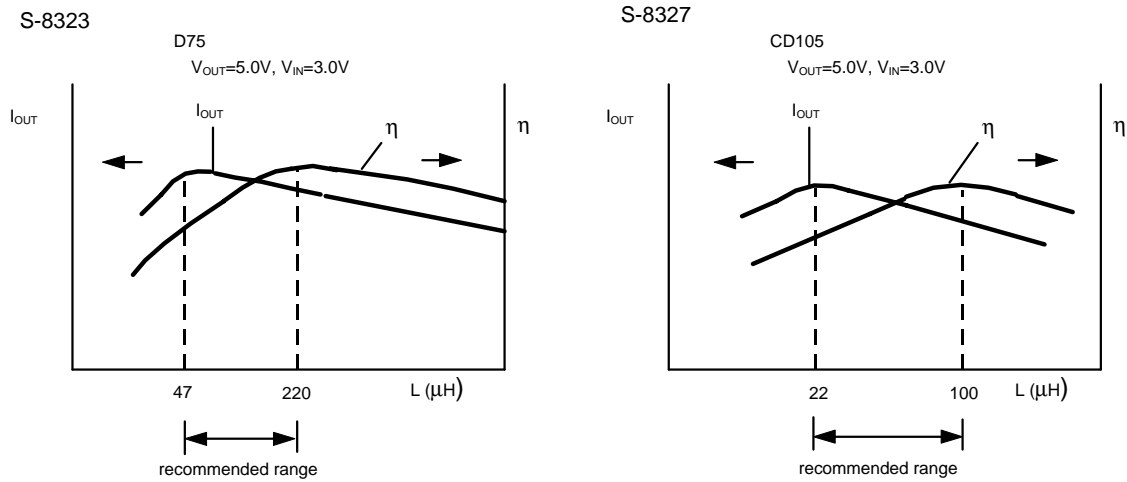


Figure 7

The peak current I_{PK} increases by decreasing L and I_{OUT} is at max. value at L value.

Further decreasing L decreases I_{OUT} due to the lack of the current driving capacity of the switching transistor.

The loss of I_{PK} by the switching transistor decreases by increasing L and the efficiency becomes max. at L value.

Further increasing L decreases efficiency due to the loss of DC resistance of the coil.

47 to 220 μ H inductor for S-8323 and 22 to 100 μ H inductor for S-8327 are recommended.

Choose a value for L by referring to the reference data because the maximum output current is due to the input voltage in an actual case.

Choose an inductor so that the peak current I_{PK} does not exceed the allowable current.

Exceeding the allowable current of the inductor causes magnetic saturation, remarkable low efficiency and destruction of the IC chip due to a large current.

The peak current I_{PK} in uncontinuous mode is calculated from the following formula:

$$I_{PK} = \sqrt{\frac{2 I_{OUT} (V_{OUT} + V_D - V_{IN})}{f_{OSC} \cdot L}} \quad (A) \quad (17)$$

f_{osc} : oscillation frequency

$V_D \cong 0.4V$

For instance, when you choose 100 μ H at $f_{osc}=50$ kHz for L using the S-8323A50MC at the following conditions, I_{PK} is calculated to 170 mA from the (17) formula.

- Input voltage $V_{IN}=3$ V
- Output voltage $V_{OUT}=5$ V
- Load current $I_{OUT}=30$ mA

The switching current limit circuit is not built into this IC chip.

I_{PK} current must be 500 mA or less.

2. Diode

Use an external diode that meets the following requirements:

- Low forward voltage: $(V_F < 0.3V)$
- High switching speed: (500 ns max.)
- Reverse voltage: $V_{OUT} + V_F$ or more
- Rated current: I_{PK} or more

3. Capacitors (C_{IN} , C_{OUT})

A capacitor at the input side (C_{IN}) improves the efficiency by reducing the power impedance and stabilizing the input current. Select a C_{IN} value according to the impedance of the power supply used. The capacitor value should be around 10 μF .

A capacitor at the output side (C_{OUT}) is used for smoothing the ripple voltage. Therefore select a capacitor with a small ESR (Electric Series Resistance) and a large capacitance. The capacitor value should be 10 μF min. A tantalum electrolytic capacitor and an organic semiconductor capacitor are especially recommended because of their superior low-temperature characteristic and leakage current characteristic.

4. External transistor (S-8327 Series)

For the S-8327 Series, connecting an external transistor increases the output current. A bipolar (NPN) transistor or an enhancement (N-channel) MOS FET transistor can be used as external transistor.

4.1. Bipolar (NPN) transistor

A circuit example using a bipolar transistor (NPN), Sanyo 2SD1628G ($h_{FE} = 280$ to 560) is shown in Figure 11. The h_{FE} value and the R_b value determine the driving capacity to increase the output current using a bipolar transistor. A peripheral circuit example of the transistor is shown in Figure 8.

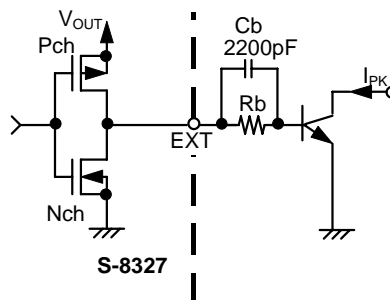


Figure 8 External transistor

1 k Ω is recommended for R_b . R_b is calculated from the following formula:

$$R_b = \frac{V_{OUT} - 0.7}{I_b} - \frac{0.4}{|I_{EXTH}|}$$

$$I_b = I_{PK} / h_{FE}$$

A small R_b increases output current, however, the efficiency decreases.

The current flows pulsating and there is voltage drop due to wiring resistance in an actual circuit, therefore optimum R_b value should be determined by experiment.

A speed-up capacitor connected in parallel with R_b resistance as shown in Figure 9 decreases the switching loss and improves the efficiency.

C_b is calculated from the following formula:

$$C_b \leq \frac{1}{2\pi \times R_b \times f_{OSC} \times 0.7}$$

SMALL PACKAGE PWM CONTROL STEP-UP SWITCHING REGULATOR

S-8323/8327 Series

4.2. Enhancement MOS FET type

Figure 9 is a circuit example using NEC 2SK1959 MOS FET transistor (N-channel).

For a MOS FET, an N-channel power MOS FET should be used. In particular the EXT pin of the S-8327 can drive a MOS FET with a gate capacity of around 1000 pF. Because the gate voltage and current of the external power MOS FET are supplied from the stepped out output voltage V_{OUT} , the MOS FET is driven more effectively.

Since the ON resistor of the MOS FET might affect the output amperage as well as the efficiency, the threshold voltage should be low. When the output voltage is as low as 2.0V the same as in the S-8327E20, the circuit operates only when the MOS FET has the threshold voltage lower than 2.0V.

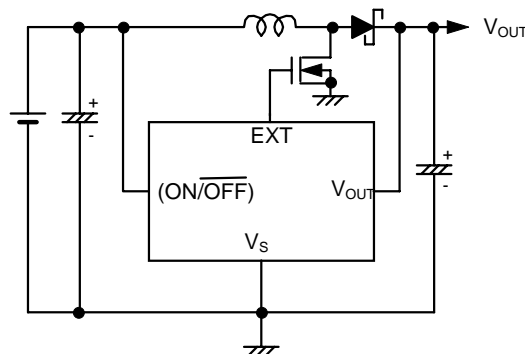


Figure 9 Circuit example using 2SK1959

5. Others (S-8323D and S-8327E only)

The S-8323D and S-8327E are applicable to the following uses because the power pin for IC chip and Vout pin for output voltage are separated:

- ① When changing the output voltage with an external resistance.
- ② When outputting the high voltage such as +12 V or +15 V.
- ③ When making the step-down DC/DC converter
- ④ When making the voltage inverting type DC/DC converter.

Choose the products in the following table according to applications for \ddagger @ to \ddagger B.

Use	Step-up					Step-down				
	Output voltage V_{CC}	$2V \leq V_{CC} < 3V$	$3V \leq V_{CC} < 5V$	$5V \leq V_{CC} < 9V$	$9V \leq V_{CC}$	Ref. circuit	$2V \leq V_{CC} < 3V$	$3V \leq V_{CC} < 5V$	$5V \leq V_{CC} < 9V$	Ref. circuit
S-8323D20	○	—	—	—	—	Std. circuit (5)	○	—	—	Appl. circuit 3
S-8323D30	—	—	○	—	—	Std. circuit (5)	—	○	—	Appl. circuit 3
S-8323D50	—	—	—	○	—	Std. circuit (5)	—	—	○	Appl. circuit 3
S-8327E20	○	○	—	—	—	Std. circuit (6)	—	—	—	—
S-8327E50	—	—	—	○	○	Std. circuit (6)	—	—	—	—
Connection to V_{DD} pin	V_{IN} or V_{CC}	V_{IN} or V_{CC}	V_{IN} or V_{CC}	V_{IN}	V_{IN}	—	V_{IN}	V_{IN}	V_{IN}	—

The operational precautions are follows:

- I. This IC starts to oscillate and step up operation at $V_{DD} = 0.9$ V, but frequency of the oscillator doesn't stabilize.

Input the voltage from 2 V to 9 V for V_{DD} pin to get the stabilized output voltage and oscillation frequency.

The input voltage from 2 V to 9 V for V_{DD} pin allows the connection of V_{DD} pin to both input power pin V_{IN} and output power pin V_{out} .

- II. Choose external resistors R_A and R_B not to affect to the output voltage with the consideration of the impedance between V_{OUT} and V_{SS} pins in the IC chip.

Internal resistance between V_{OUT} and V_{SS} pins are as follows:

- ① S-8323D20 and S-8327E20: 3.0 M Ω to 19.6 M Ω
- ② S-8323D30: 3.3 M Ω to 22.6 M Ω
- ③ S-8323D50 and S-8327E50: 2.1 M Ω to 19.1 M Ω

- III. Attach the capacitor " C_C " in parallel to R_A resistance when the oscillation of the output voltage occurs.

Calculate " C_C " from the following formula:

$$C_C (F) = \frac{1}{2 \cdot \pi \cdot R_A \cdot 20 \text{ kHz}}$$

SMALL PACKAGE PWM CONTROL STEP-UP SWITCHING REGULATOR

S-8323/8327 Series

Standard Circuits

(1) S-8323AXXMC

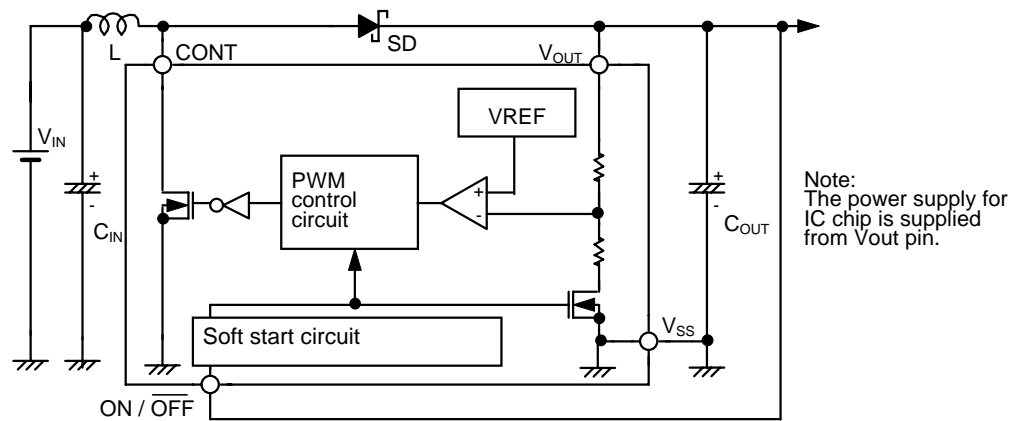


Figure 10

(2) S-8327BXXMC

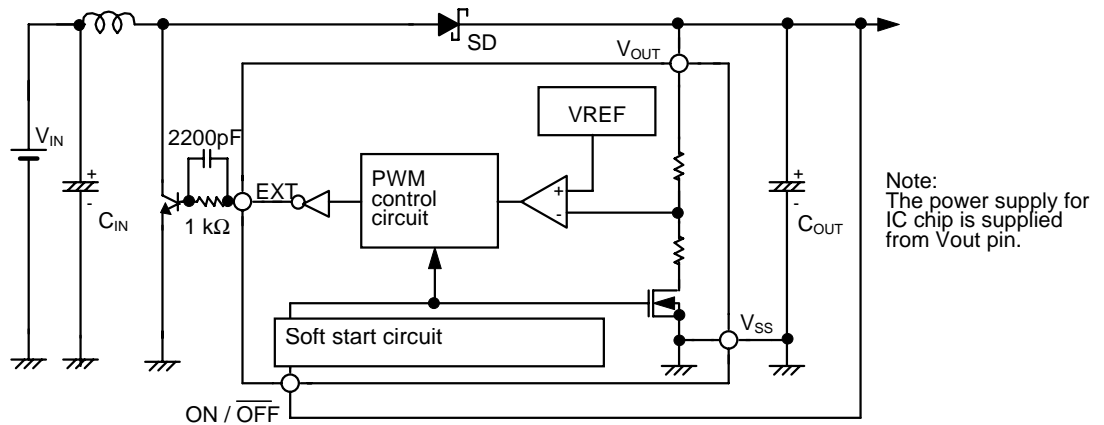


Figure 11

(3) S-8323AXXMA
S-8323AXXUA
S-8323CXXMA

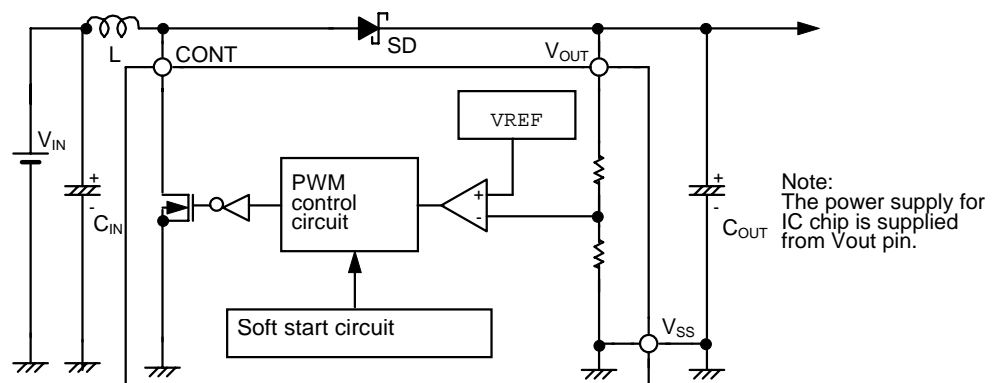


Figure 12

SMALL PACKAGE PWM CONTROL STEP-UP SWITCHING REGULATOR
S-8323/8327 Series

(4) S-8327BXXMA
 S-8327BXXUA

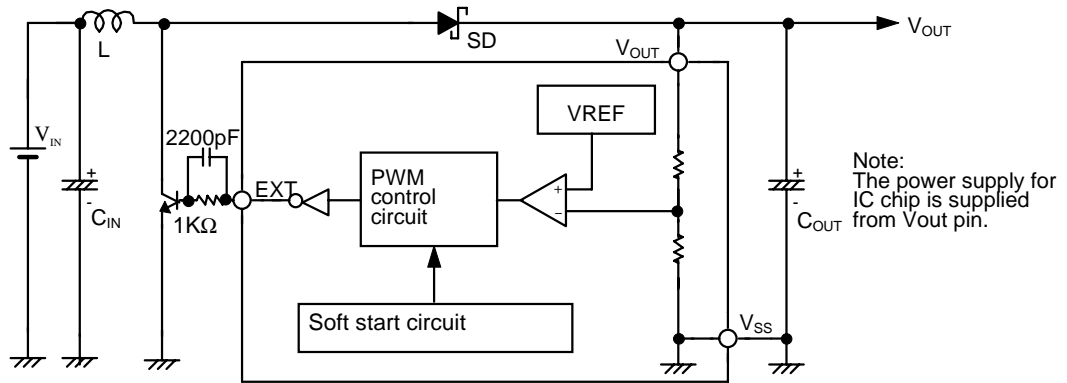


Figure 13

(5) S-8323DXXMC (Output voltage adjustment circuit with external resistors)

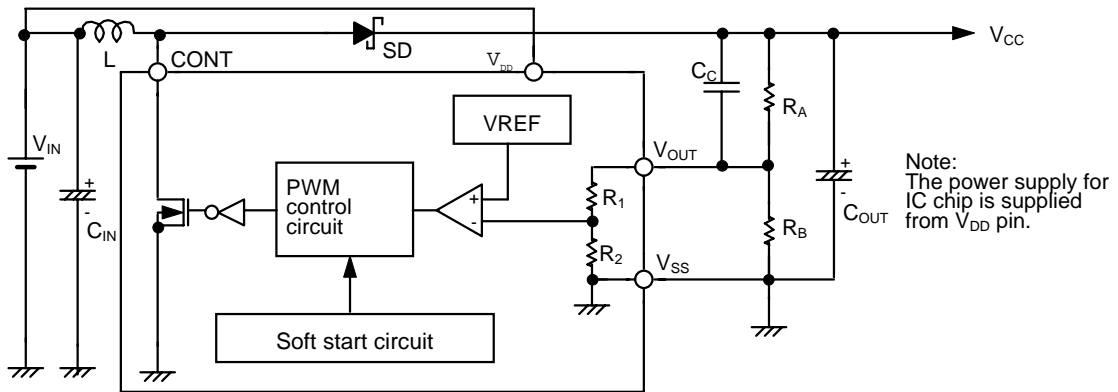


Figure 14

(6) S-8327EXXMC (Output voltage adjustment circuit with external resistors)

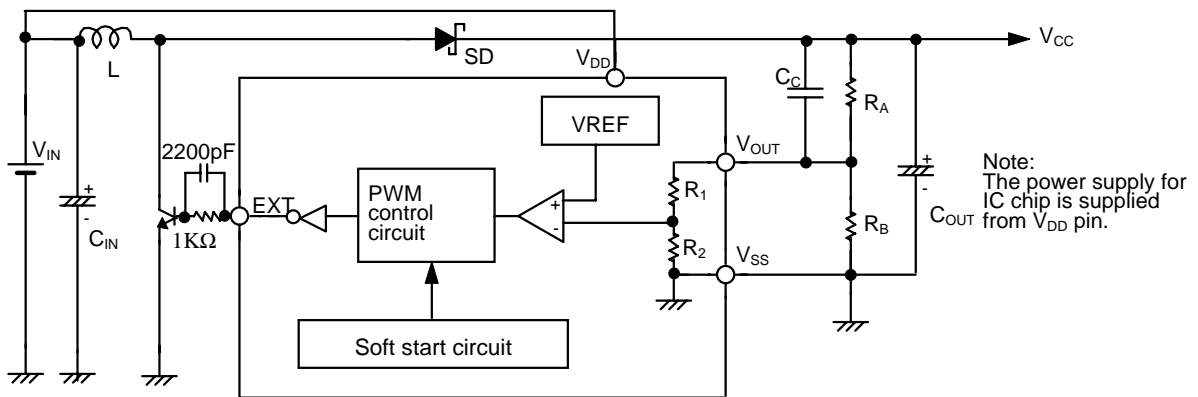


Figure 15

SMALL PACKAGE PWM CONTROL STEP-UP SWITCHING REGULATOR

S-8323/8327 Series

■ Precautions

- Mount external capacitors, a diode, and a coil as near as possible to the IC.
- Ripple voltage and spike noise occur in switching regulators. Because they largely depend on the coil and the capacitor used, check them using an actually mounted model.
- Seiko Instruments shall not be responsible for any patent infringement by products including S-8323/8327 Series in connection with the method of using S-8323/8327 Series in such products, the specification of such products, or the country of destination thereof.
- Make sure dissipation of the switching transistor (especially at a high temperatures) does not exceed the allowable power dissipation of the package.

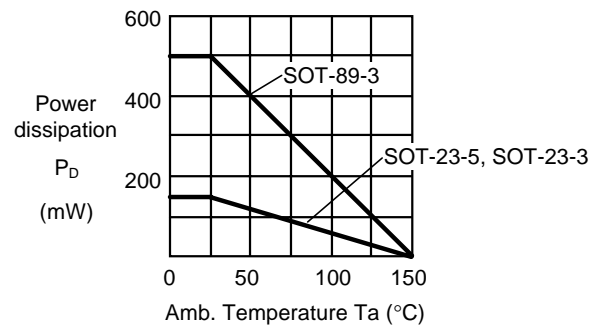


Figure 16 Power dissipation of the package (before mounting)

SMALL PACKAGE PWM CONTROL STEP-UP SWITCHING REGULATOR

S-8323/8327 Series

■ Application Circuits

1. Backup Circuit

Reduces the backup battery voltage from 3 V to 1.5 V (from 2 cells to 1 cell).

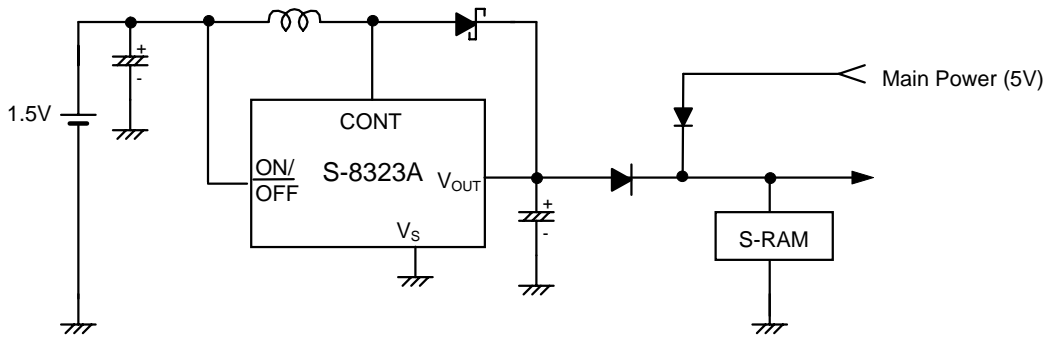


Figure 17

2. 5V/Backup Change

The S-8323A/8327B is provided with a power OFF function, where V_{OUT} becomes approx. $V_{IN}-0.6V$. This characteristic allows the backup voltage of the microcomputer to be supplied with low current consumption.

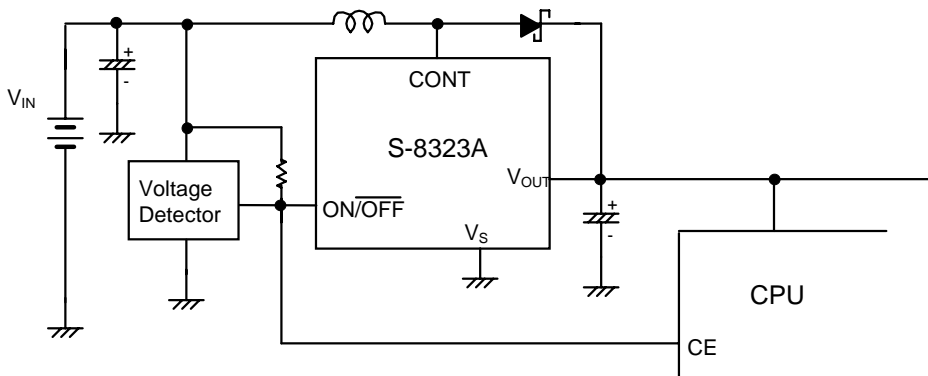


Figure 18

3. Step-down DC/DC converter

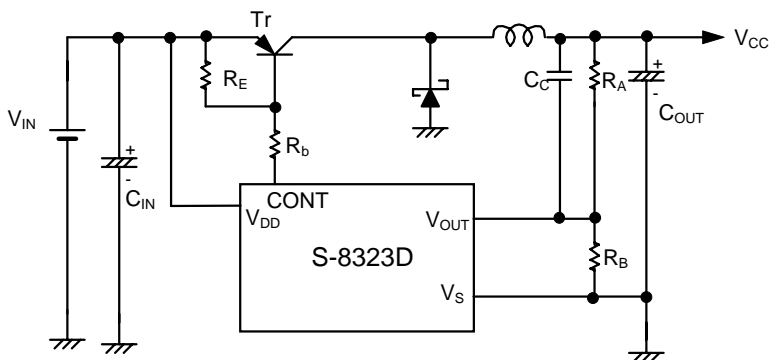


Figure 19

The start circuit is not needed because the power supply is supplied from V_{DD} to the IC.

The maximum input voltage for V_{DD} is 9 V.

DO NOT mount R_A and R_B resistors when V_{CC} is 2V for S-8323D20MC and 5V for S-8323D50MC.

The external resistor R_b must be 60Ω or more and R_E must be $6K\Omega$ or less. A large value for R_E raises efficiency due to the reduction of reactive current for R_E and R_b .

Too large value of R_E lowers efficiency due to the large switching loss of the external transistor (Tr). Choose a suitable value of R_E under the operating conditions.

SMALL PACKAGE PWM CONTROL STEP-UP SWITCHING REGULATOR

S-8323/8327 Series

4. PDA/Digital Camera Power Supply

The following are a circuit example and its characteristics showing a 3-V system drive (3V/200mA) powered by 4 secondary Nicd batteries (3.6 to 4.8V), 2 lithium-ion batteries (4.8 to 8.8V) or 4 alkaline-manganese batteries (3.6 to 6.0V).

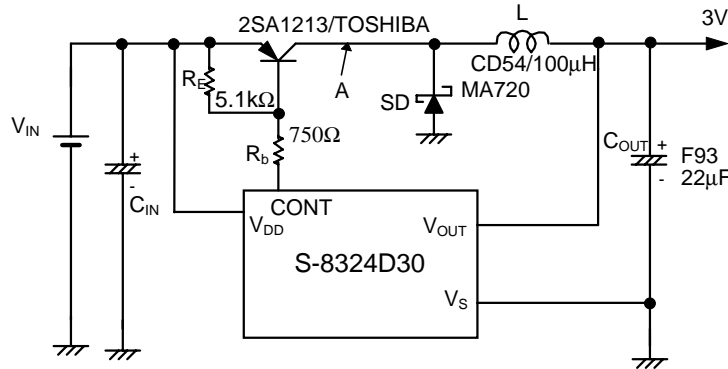


Figure 20

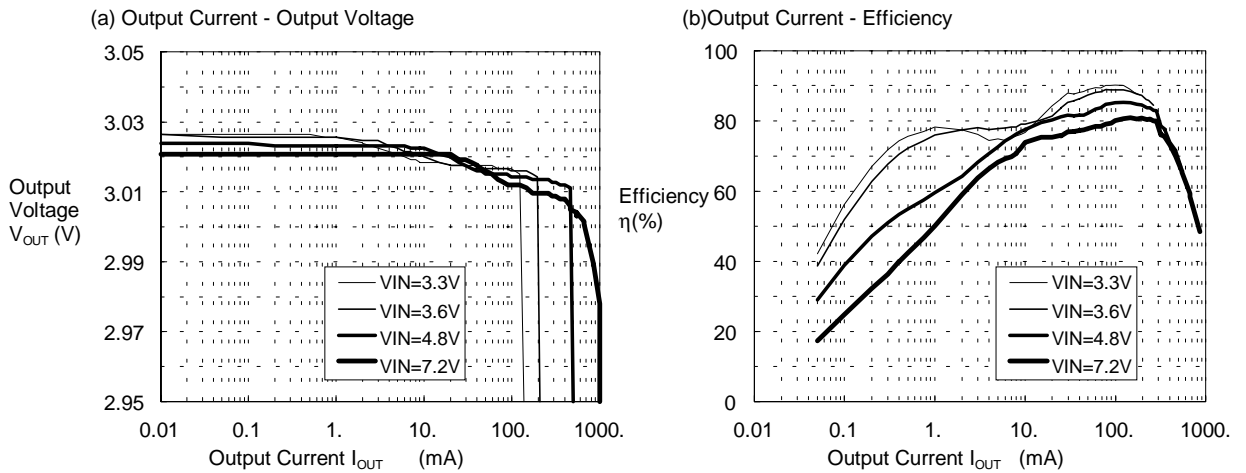


Figure 21

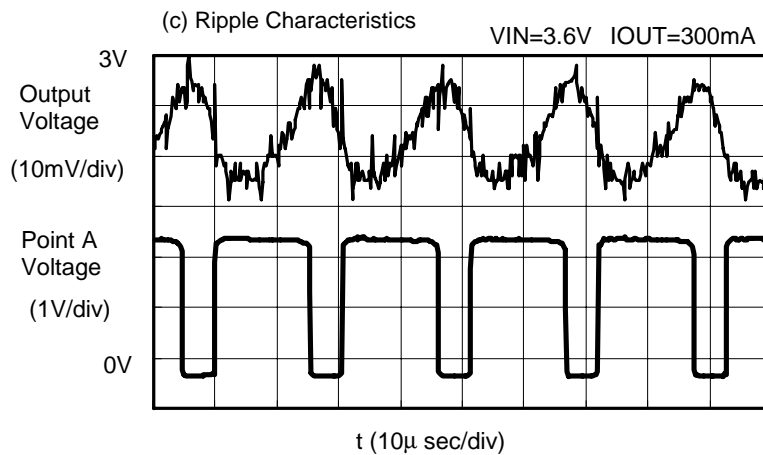


Figure 22

SMALL PACKAGE PWM CONTROL STEP-UP SWITCHING REGULATOR S-8323/8327 Series

5. Voltage Inverting Type DC/DC Converter

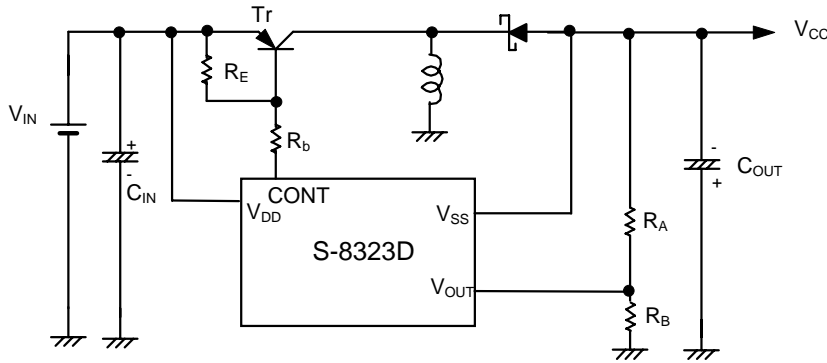


Figure 23

The Start circuit is not needed because the power is supplied from V_{DD} to the IC. Set V_{IN} to $9V - |V_{CC}|$ or less.

When V_{CC} is -2 V, -3 V and -5 V, use the S-8323D20MC, the S-8323D30MC and the S-8323D50MC respectively. Always connect V_{OUT} to GND without attaching R_A , R_B .

Set R_b to 60Ω or more and R_E to 6 kΩ or less. The larger R_b , the smaller the reactive current through R_E and R_b , allowing the efficiency to be improved. On the other hand, the switching loss of the Tr becomes large and consequently the efficiency will be worsend. Select R_E to ensure high efficiency under operating conditions.

6. Power Supply for GaAs and MR Head

The following are an application negative power supply circuit for GaAs and MR head, and its characteristics when 3V ($3V \pm 10\%$) and 5V ($5V \pm 10\%$) are used for the applied power. Set V_{IN} to $9V - |V_{CC}|$ or less.

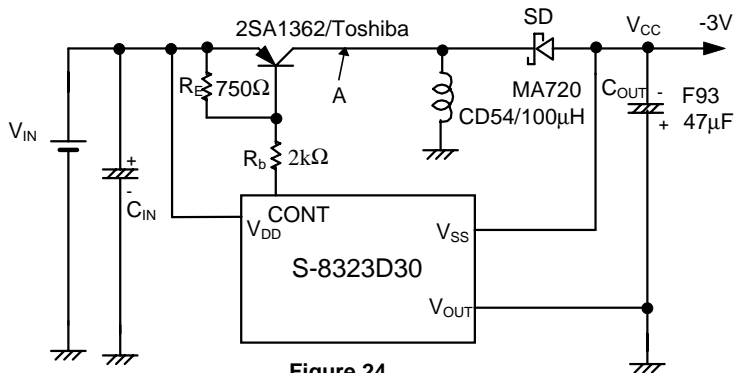


Figure 24

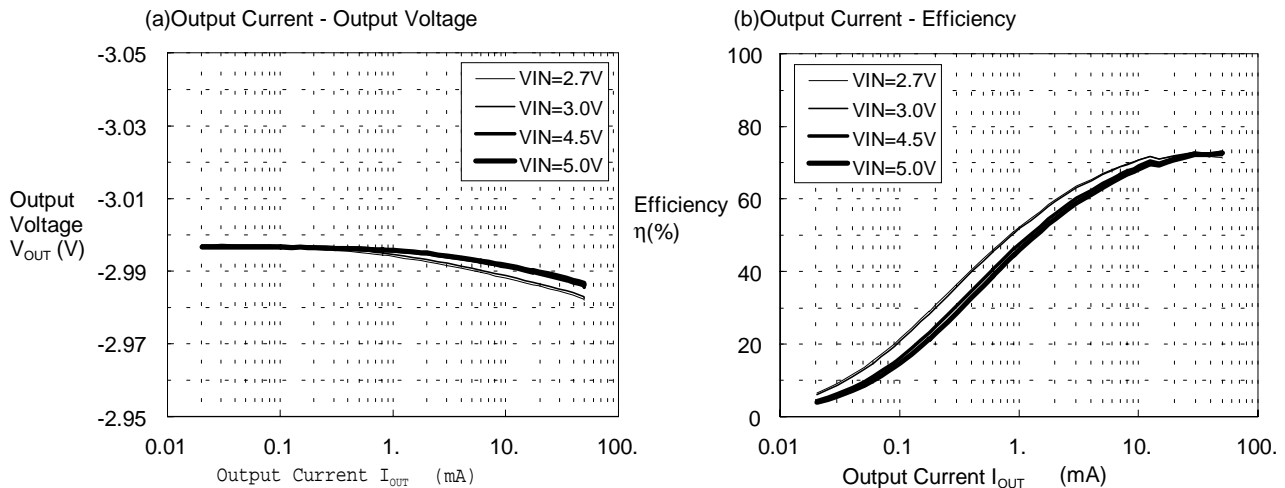


Figure 25

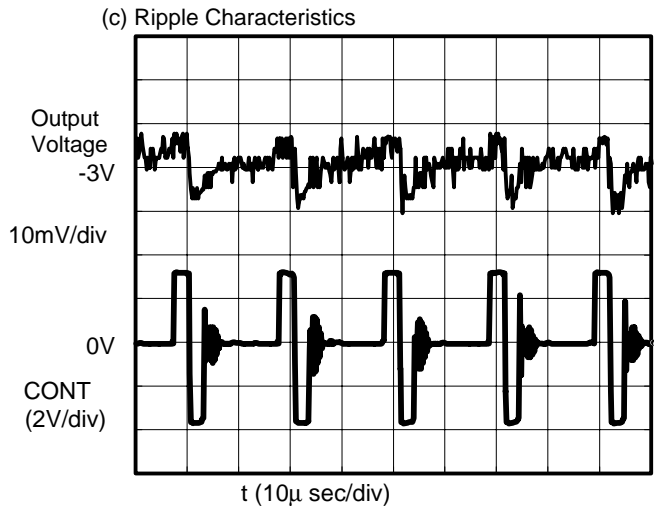


Figure 26

When output current I_{OUT} exceeds 50 mA, the current capacitance in the external transistor 2SA1362 becomes in short supply and the IC may be broken. Select a large current capacitance transistor.

The start circuit is not needed because the power supply is supplied from V_{DD} to the IC. Set V_{in} to 9 V - $|V_{CC}|$ or less.

The output voltage cannot be changed with external resistors.

Set R_s to 60Ω or more and R_e to 6 kΩ or less. The larger R_s , the smaller the reactive current through R_s and R_b , allowing the efficiency to be improved. On the other hand, the switching loss of the Tr becomes large and consequently the efficiency will be worsened. Select R_s to ensure high efficiency under operating conditions.

7. LCD Power Supply (Standard circuit (6))

The following are an application power supply circuit (30V/5mA) for intermediate and large size LCD, and its characteristics when 3V ($3V \pm 10\%$) and 5V ($5V \pm 10\%$) are used for the applied power.

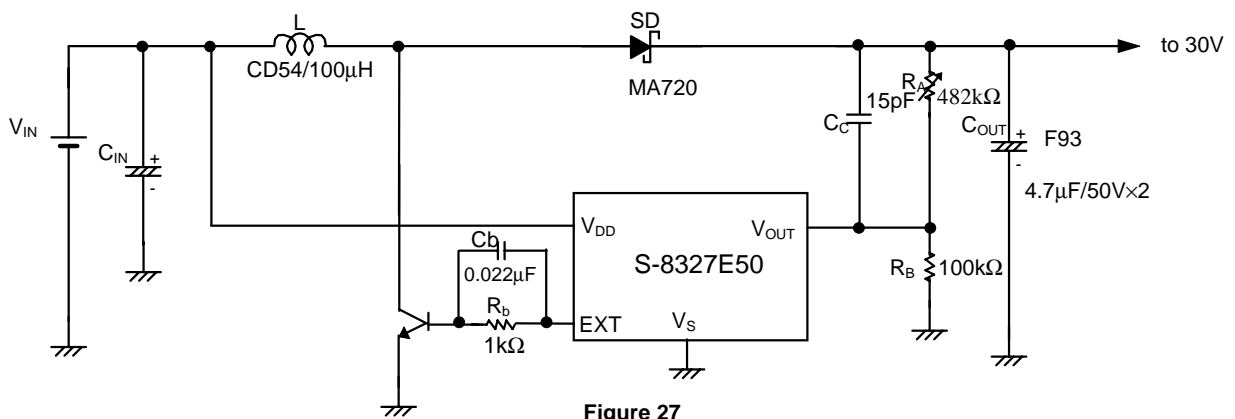


Figure 27

SMALL PACKAGE PWM CONTROL STEP-UP SWITCHING REGULATOR
S-8323/8327 Series

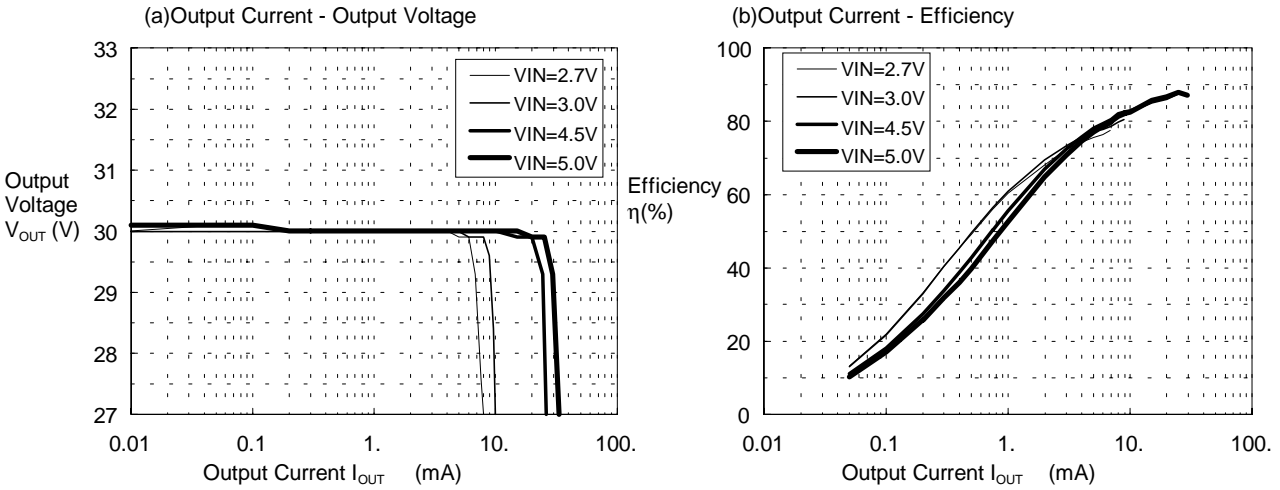


Figure 28

8. Flash Memory Power Supply

The following are a circuit example and its characteristics for a 5 V Flash Memory, 16 Mbit (5V/120mA) on a single lithium battery (2.4 V to 4.4 V).

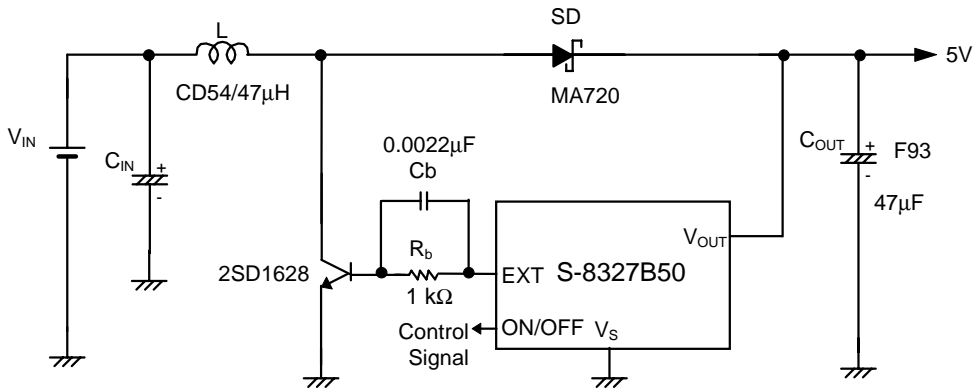


Figure 29

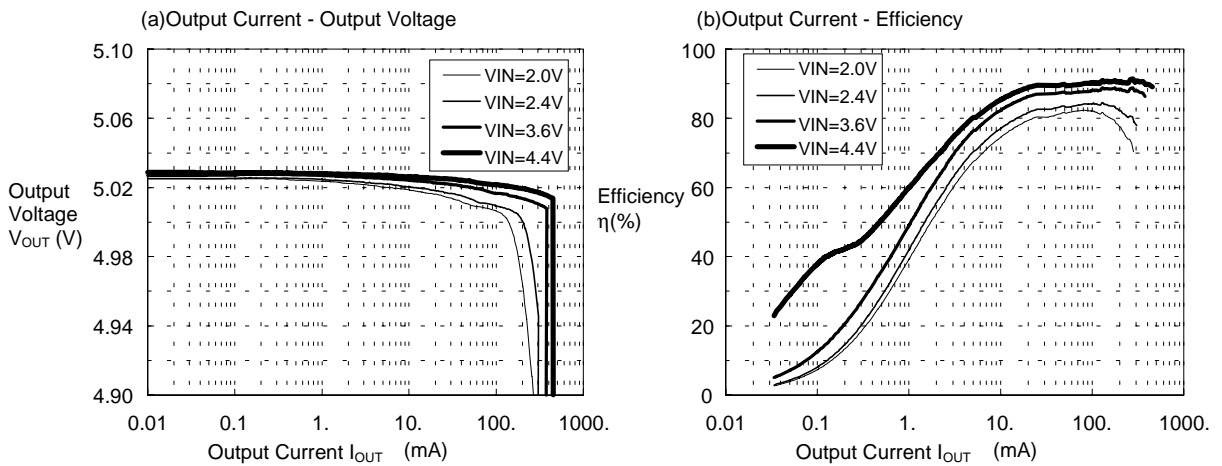


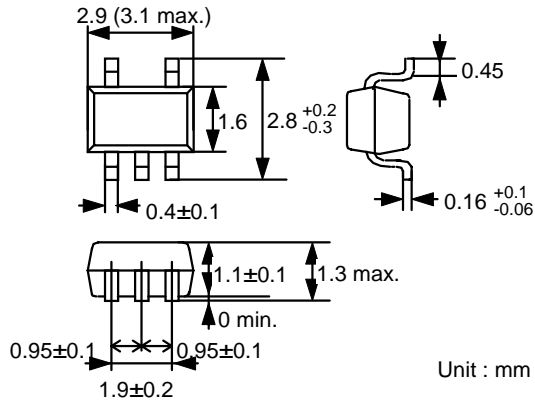
Figure 30

SMALL PACKAGE PWM CONTROL STEP-UP SWITCHING REGULATOR

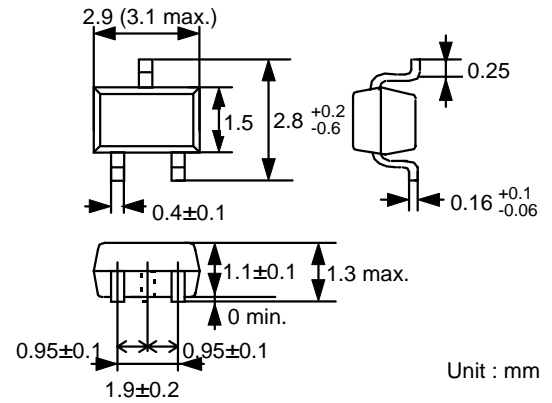
S-8323/8327 Series

■ Dimensions

(1) SOT-23-5



(2) SOT-23-3



(3) SOT-89-3

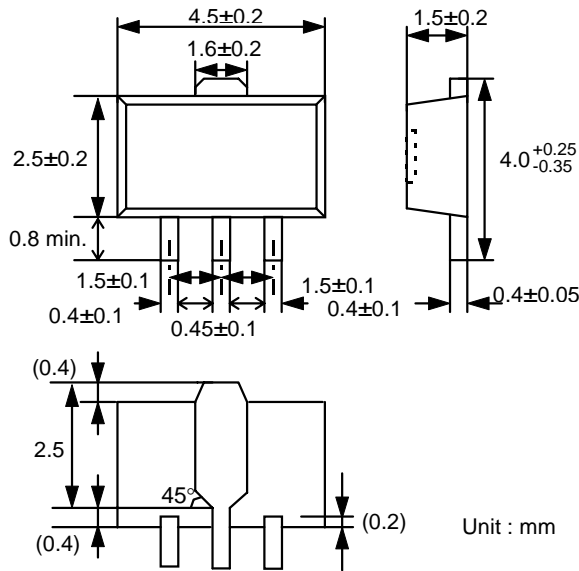
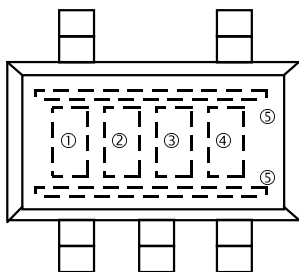


Figure 31

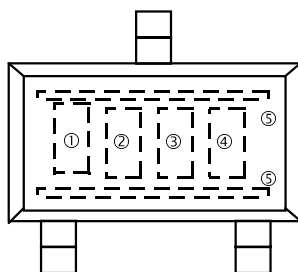
■ Markings

(1) SOT-23-5



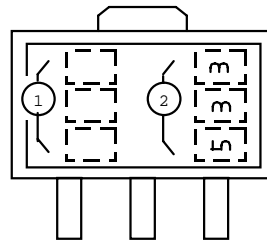
① to ③ Product No. (abbreviation)
④ to ⑤ Lot No.

(2) SOT-23-3



① to ③ Product No. (abbreviation)
④ to ⑤ Lot No.

(3) SOT-89-3



① Product No. (abbreviation)
② Lot No.

Figure 32

SMALL PACKAGE PWM CONTROL STEP-UP SWITCHING REGULATOR
S-8323/8327 Series

■ Taping

1. Tape Specification

1-1 SOT-23-5

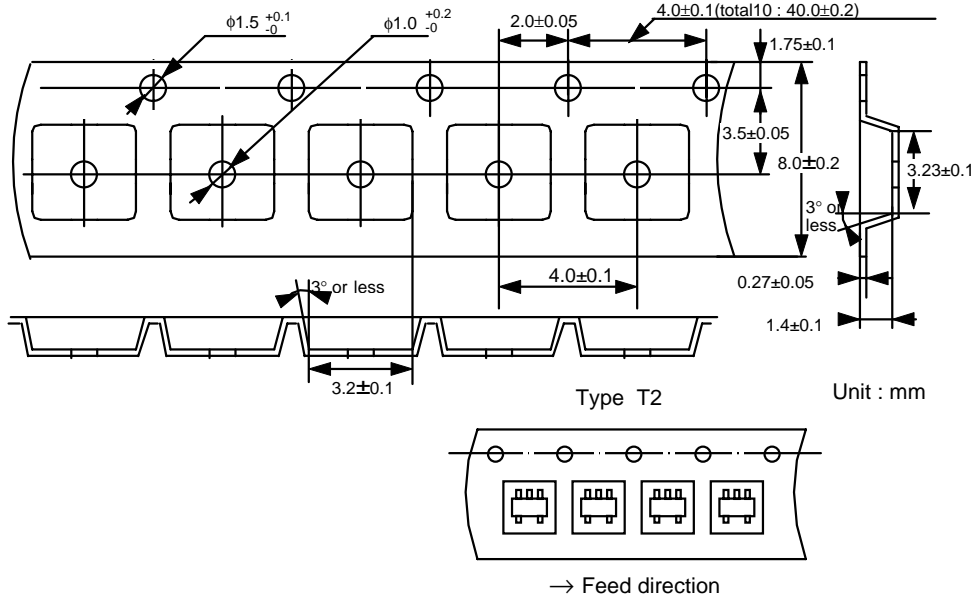


Figure 33

1-2 SOT-23-3

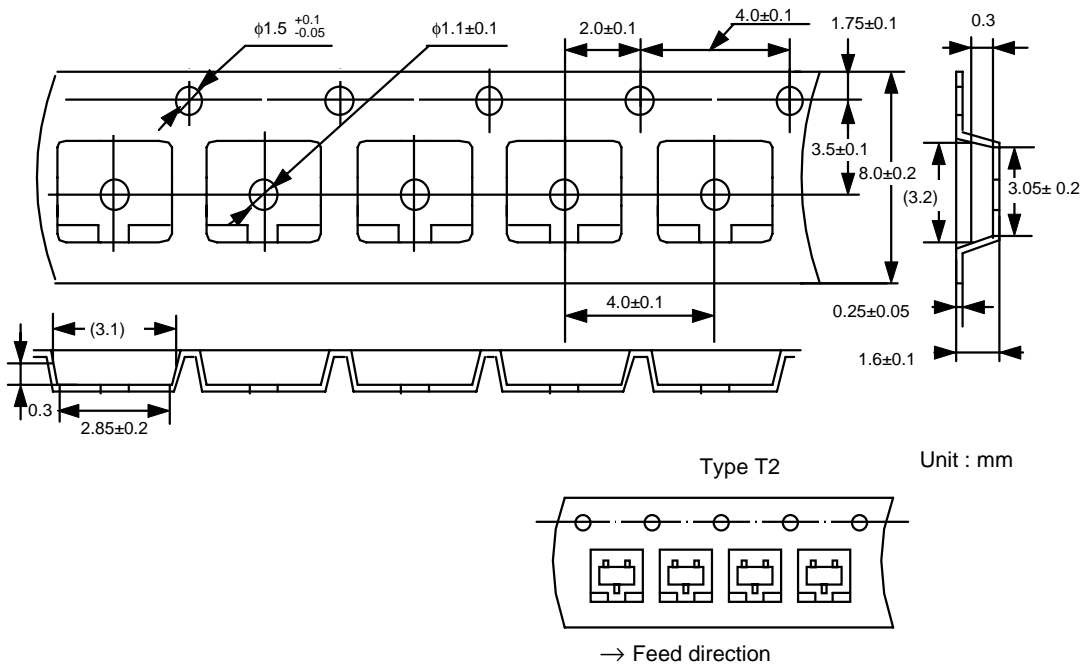


Figure 34

SMALL PACKAGE PWM CONTROL STEP-UP SWITCHING REGULATOR
S-8323/8327 Series

1-3 SOT-89-3

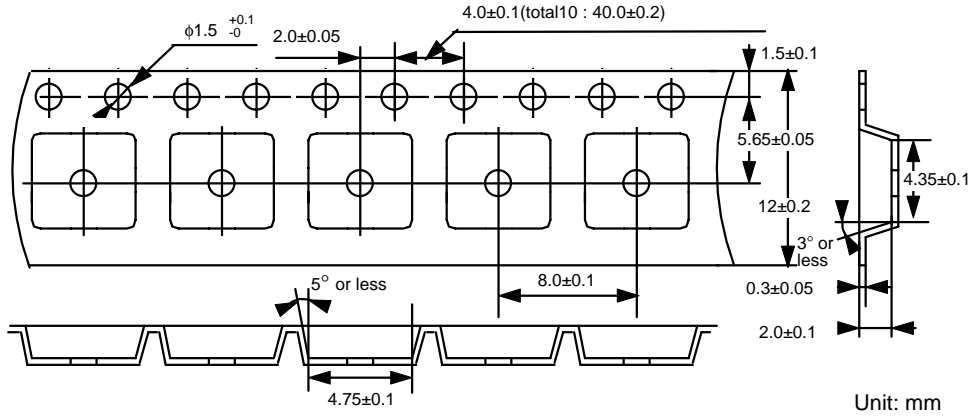


Figure 35

→ Feed direction

2. Reel Specifications

2-1 SOT-23-5/SOT-23-3

One reel holds 3000 regulators.

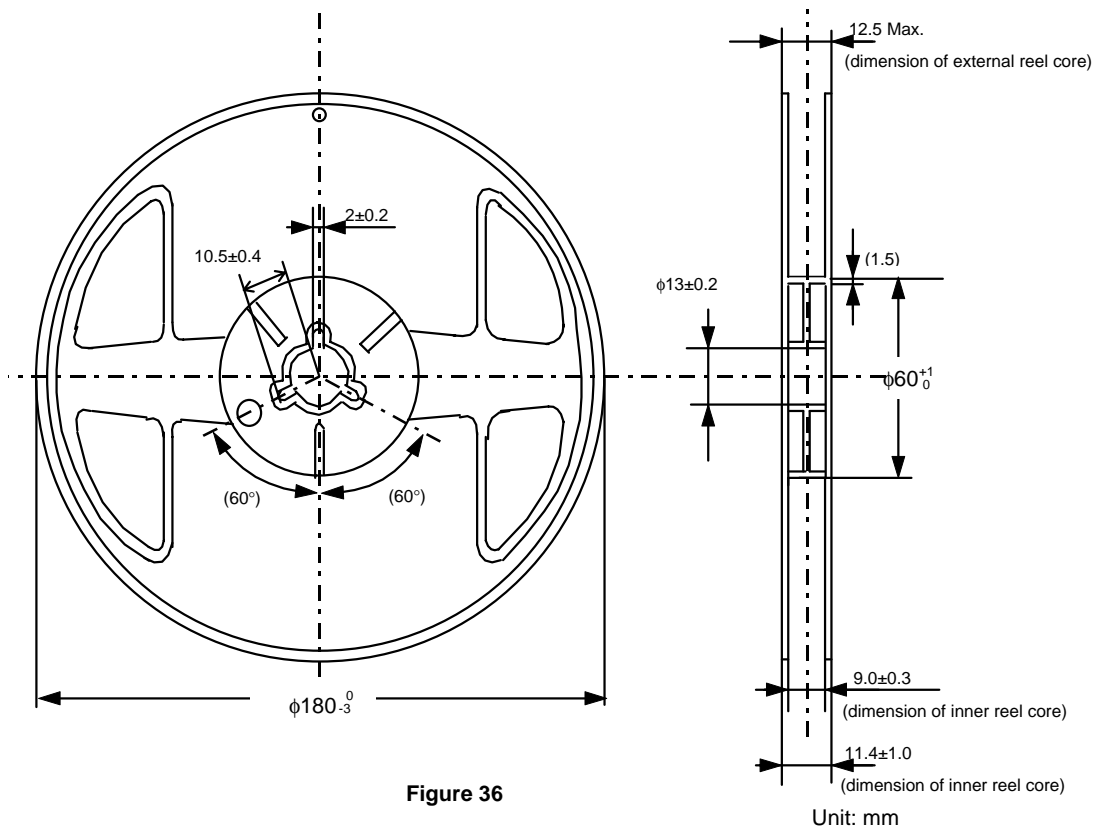


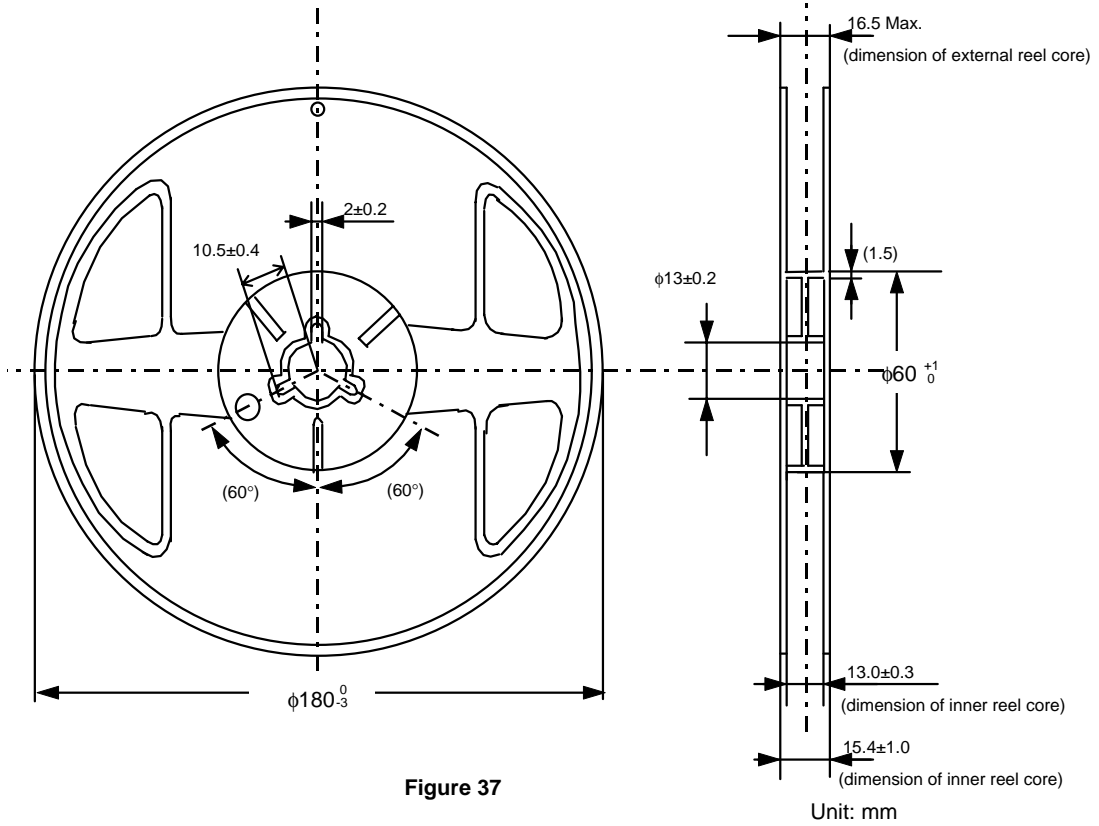
Figure 36

Unit: mm

SMALL PACKAGE PWM CONTROL STEP-UP SWITCHING REGULATOR
S-8323/8327 Series

2-2 SOT-89-3

One reel holds 1000 regulators.

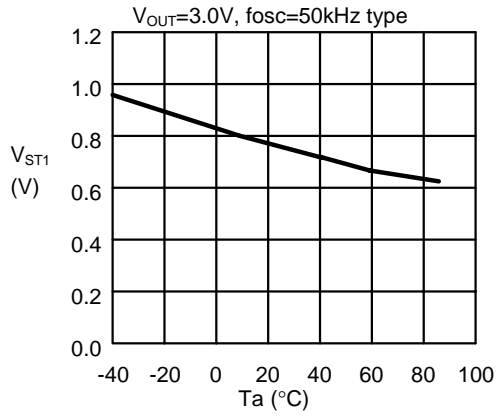


SMALL PACKAGE PWM CONTROL STEP-UP SWITCHING REGULATOR

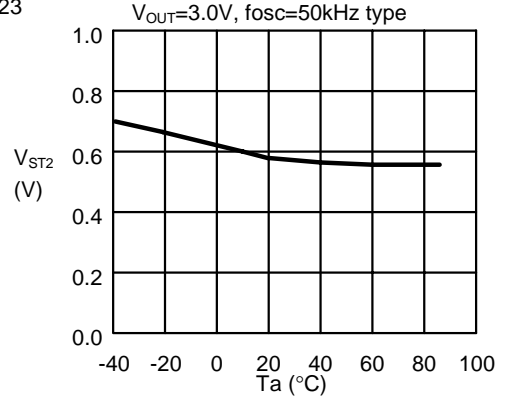
S-8323/8327 Series

■ Temperature Characteristics

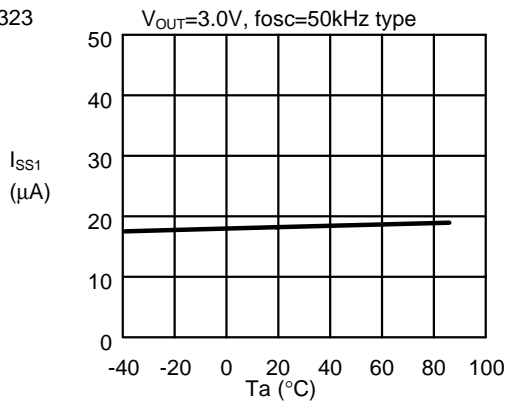
V_{ST1} - T_a
S-8323



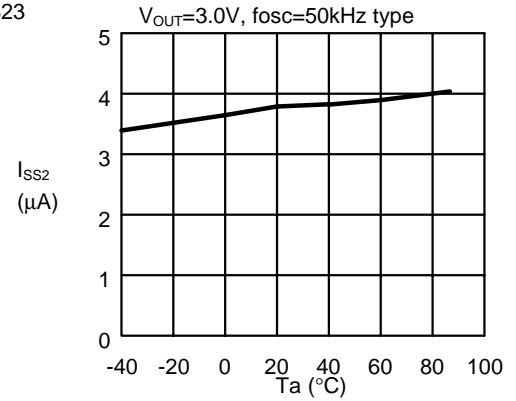
V_{ST2} - T_a
S-8323



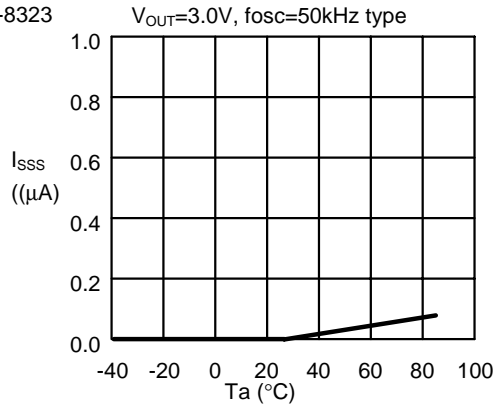
I_{SS1} - T_a
S-8323



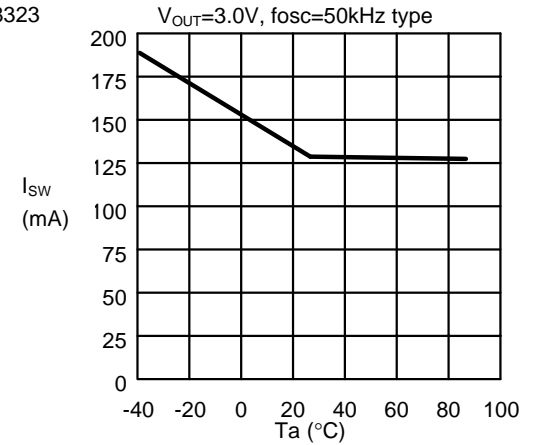
I_{SS2} - T_a
S-8323



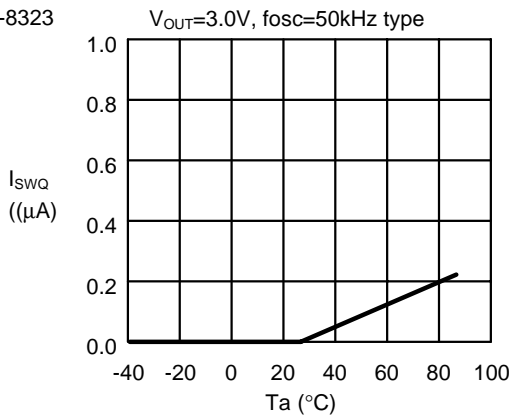
I_{SS3} - T_a
S-8323



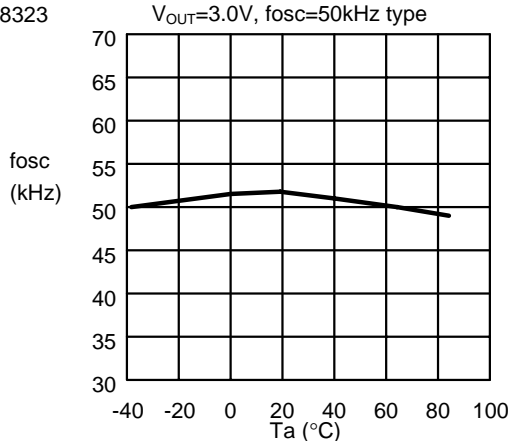
I_{SW} - T_a
S-8323



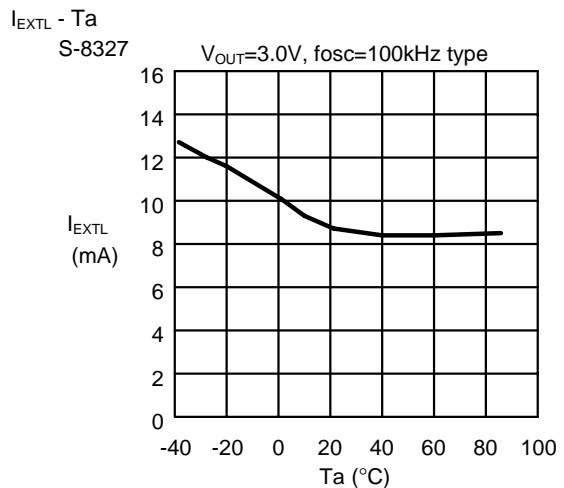
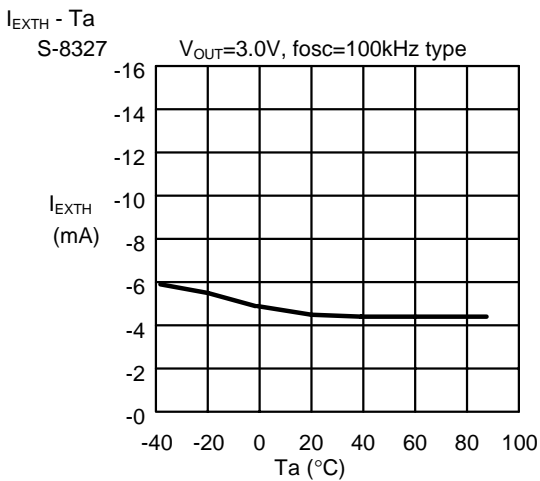
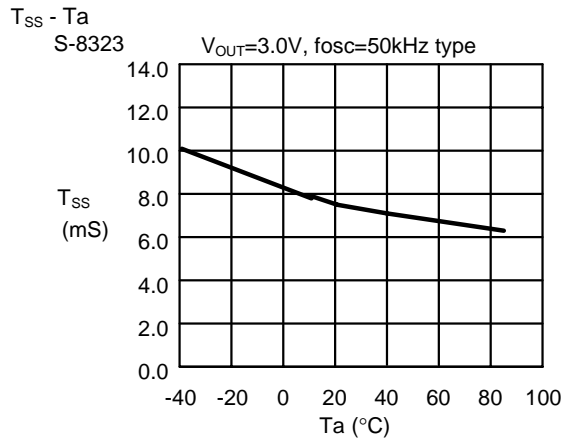
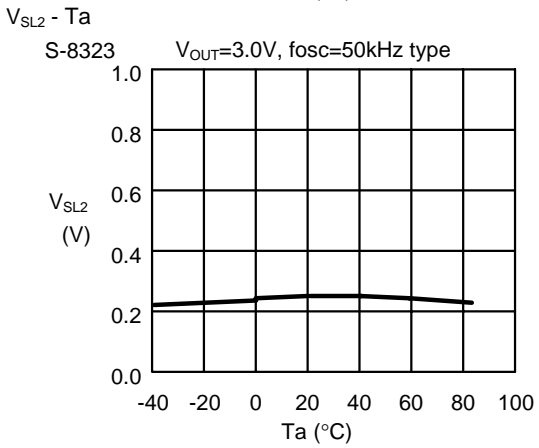
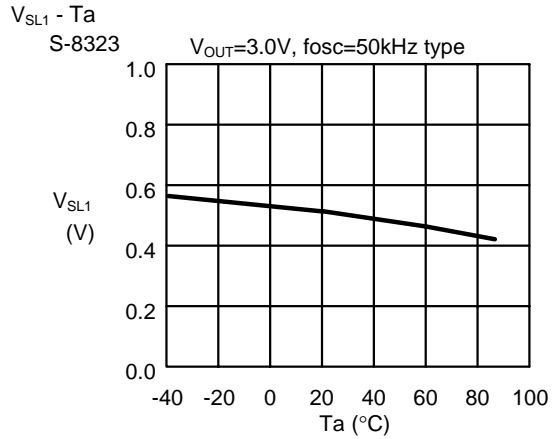
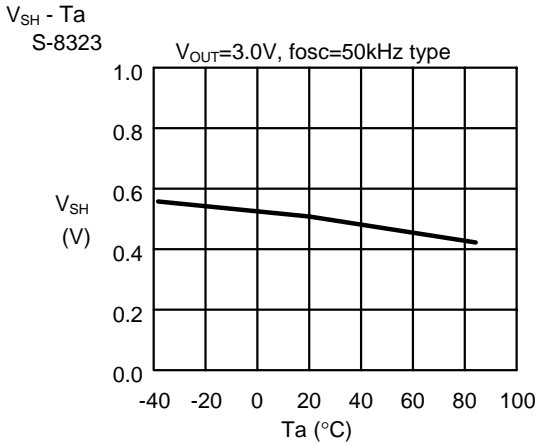
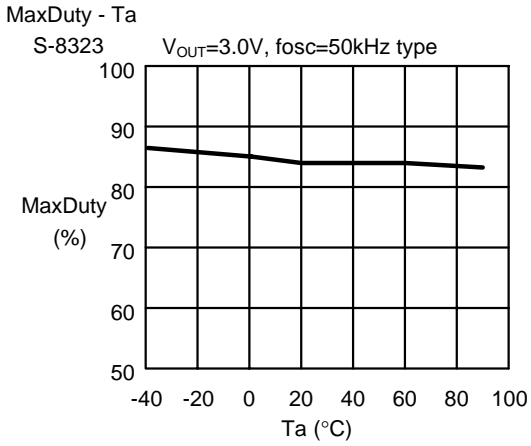
I_{SWQ} - T_a
S-8323



f_{osc} - T_a
S-8323

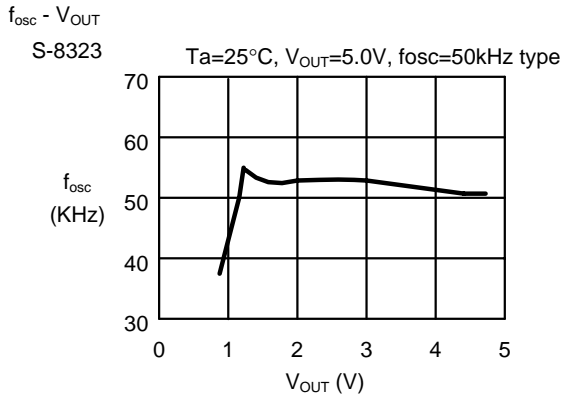
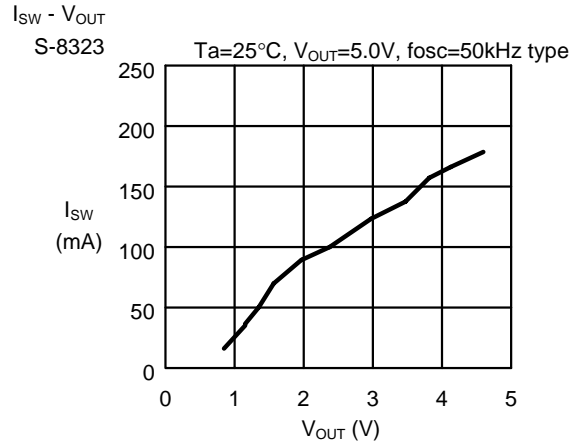
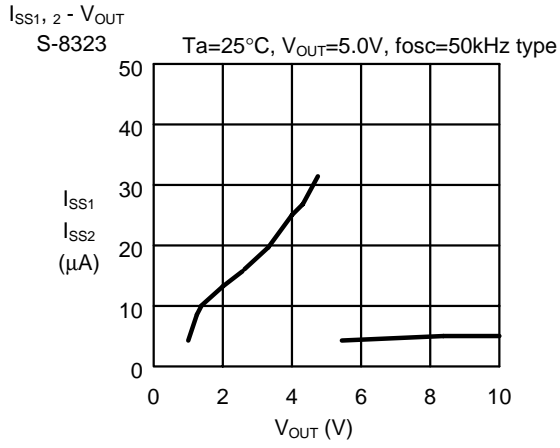


SMALL PACKAGE PWM CONTROL STEP-UP SWITCHING REGULATOR
S-8323/8327 Series



SMALL PACKAGE PWM CONTROL STEP-UP SWITCHING REGULATOR
S-8323/8327 Series

■ **Voltage Characteristics**



SMALL PACKAGE PWM CONTROL STEP-UP SWITCHING REGULATOR

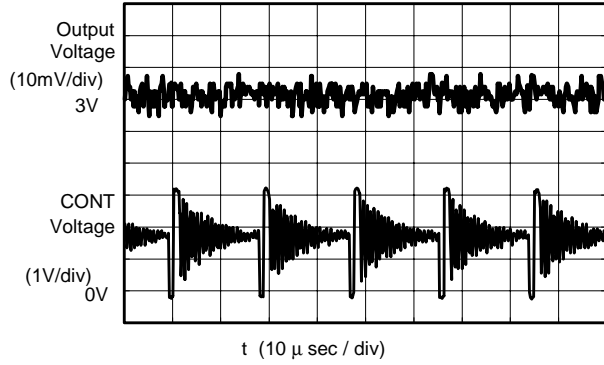
S-8323/8327 Series

■ Ripple Characteristics

S-8323A30

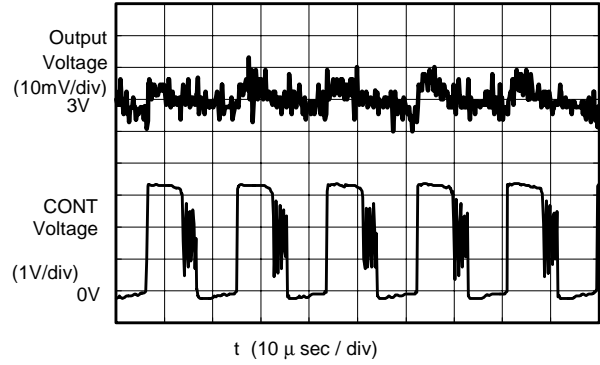
1. Light Load ($I_{OUT}=200\mu A$)

$V_{in}=1.8V$



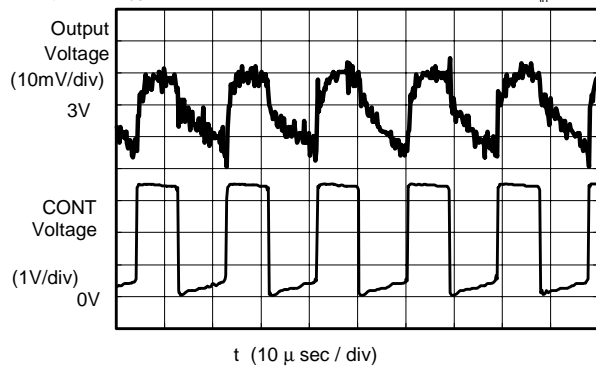
2. Medium Load ($I_{OUT}=10mA$)

$V_{in}=1.8V$



3. Heavy Load ($I_{OUT}=60mA$)

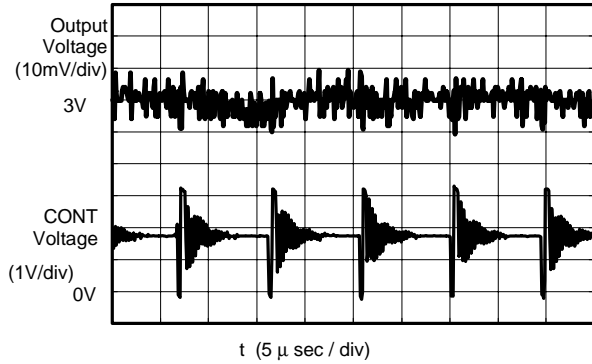
$V_{in}=1.8V$



S-8327B30

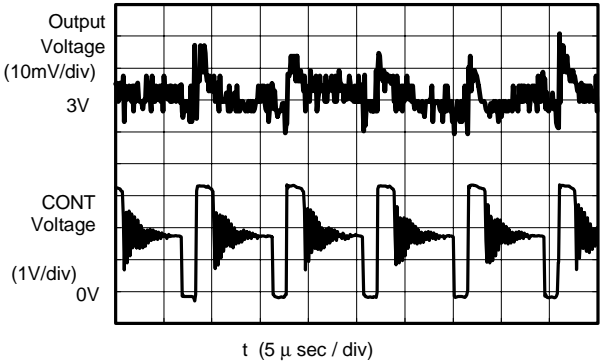
1. Light Load ($I_{OUT}=200\mu A$)

$V_{in}=1.8V$



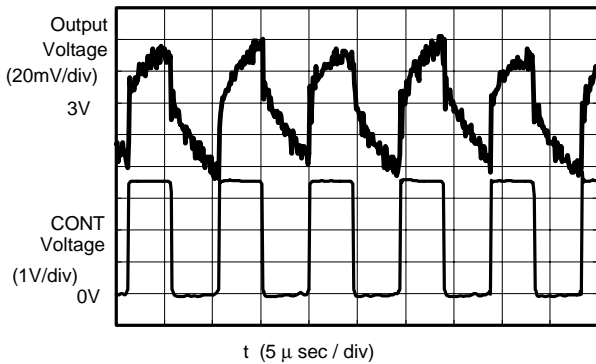
2. Medium Load ($I_{OUT}=10mA$)

$V_{in}=1.8V$



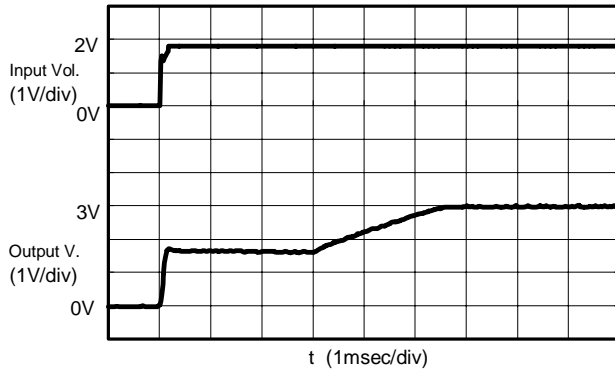
3. Heavy Load ($I_{OUT}=200mA$)

$V_{in}=1.8V$

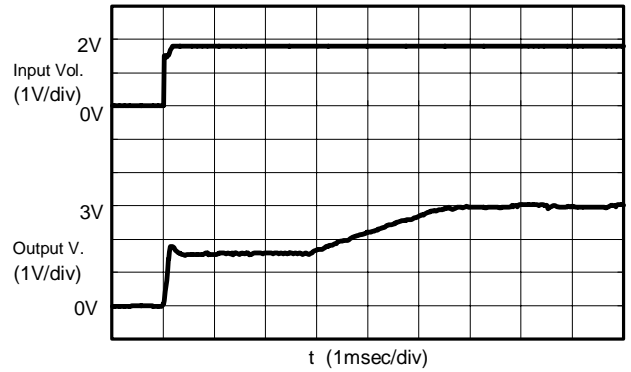


■ **Transient Responses**

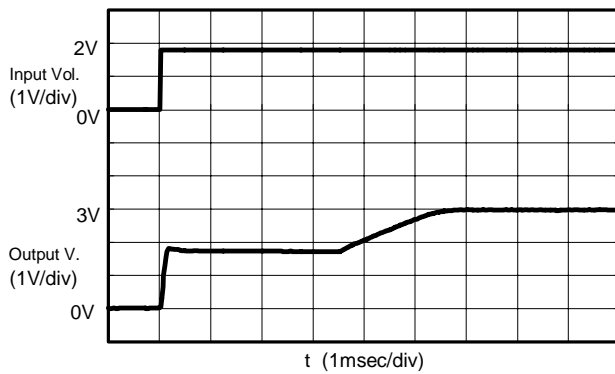
1. Powering ON due to V_{IN} ($V_{IN} : 0V \rightarrow 1.8V$)
 S-8323A30 (Light Load: $I_{OUT}=1mA$)



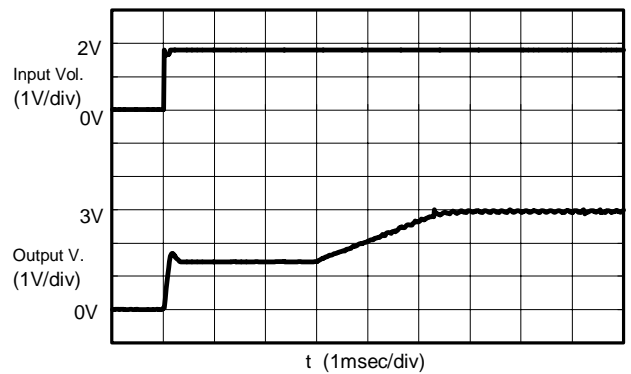
S-8323A30 (Heavy Load: $I_{OUT}=60mA$)



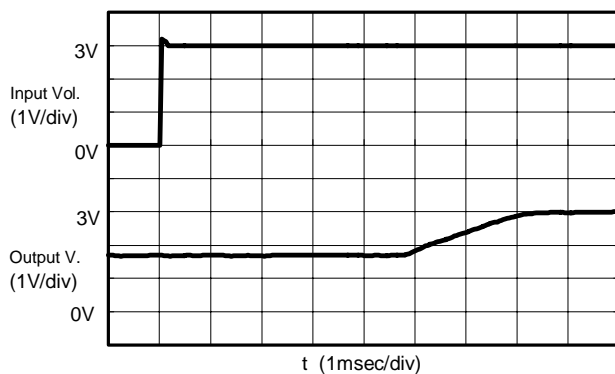
S-8327B30 (Light Load: $I_{OUT}=1mA$)



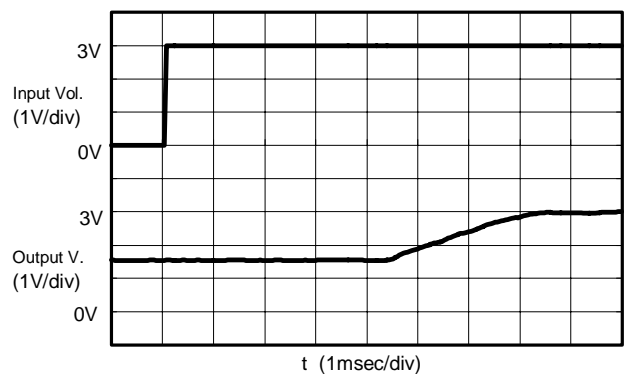
S-8327B30 (Heavy Load: $I_{OUT}=200mA$)



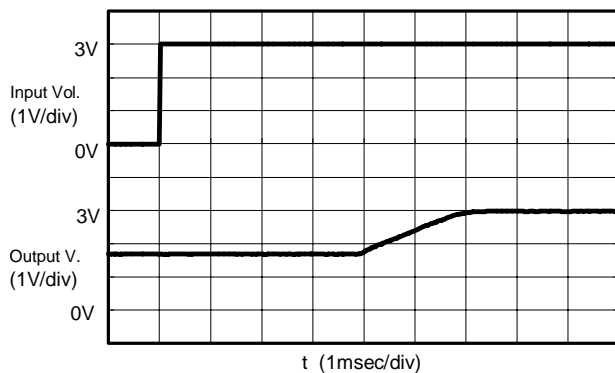
2. Powering ON due to Shutdown pin ($V_{on/off} : 0V \rightarrow 3.0V$)
 S-8323A30 (Light Load: $I_{OUT}=1mA$)



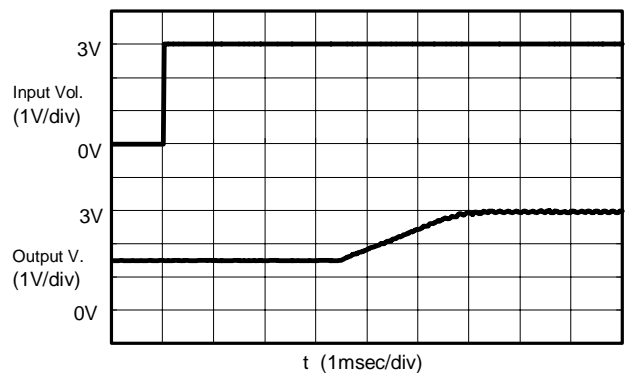
$V_{IN}=1.8V$ S-8323A30 (Heavy Load: $I_{OUT}=60mA$)



S-8327B30 (Light Load: $I_{OUT}=1mA$)



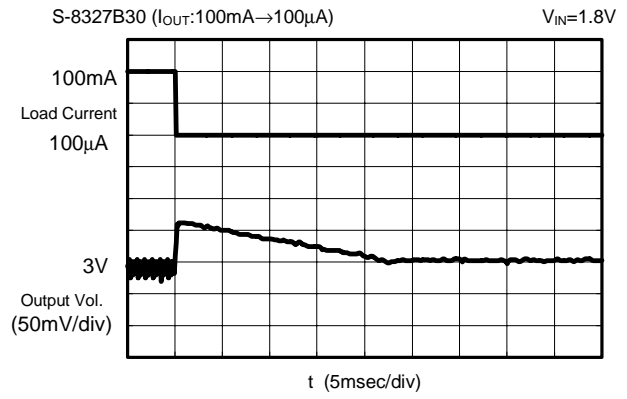
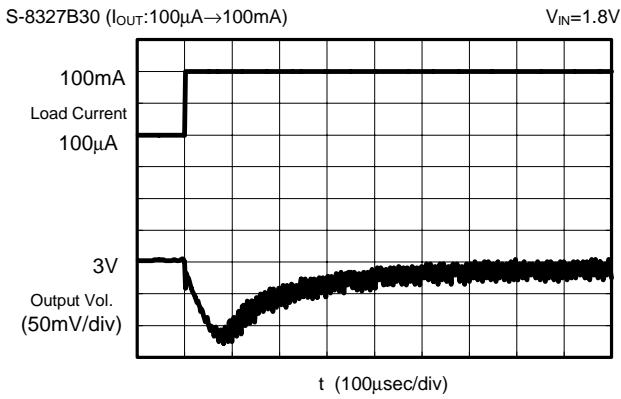
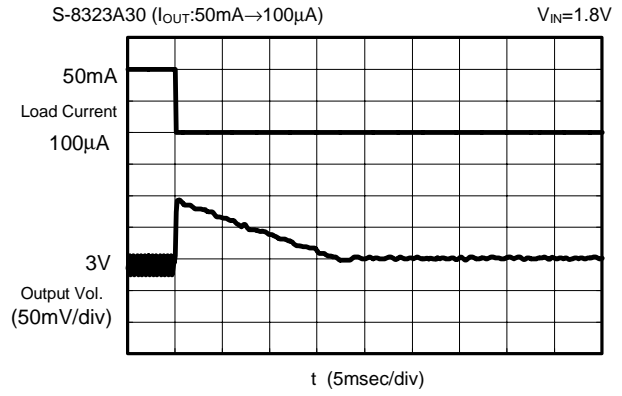
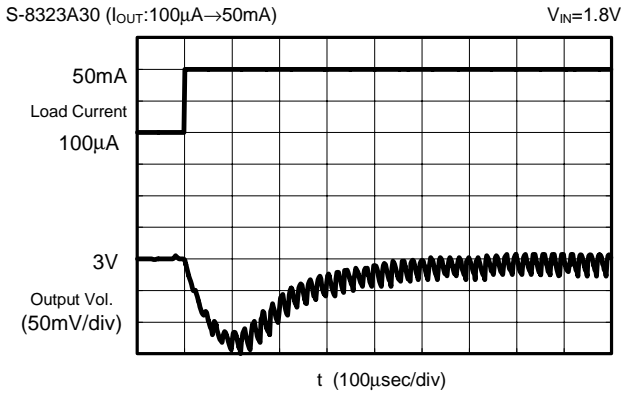
$V_{IN}=1.8V$ S-8327B30 (Heavy Load: $I_{OUT}=200mA$)



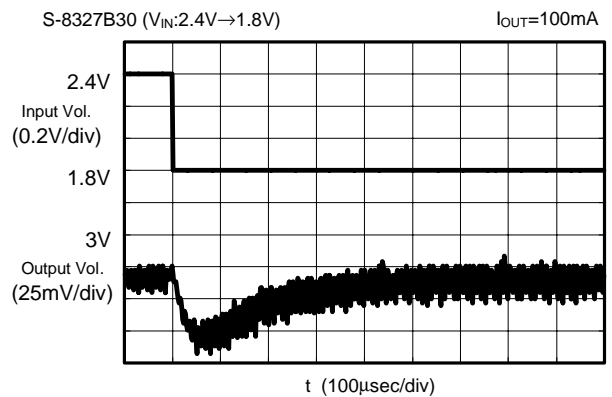
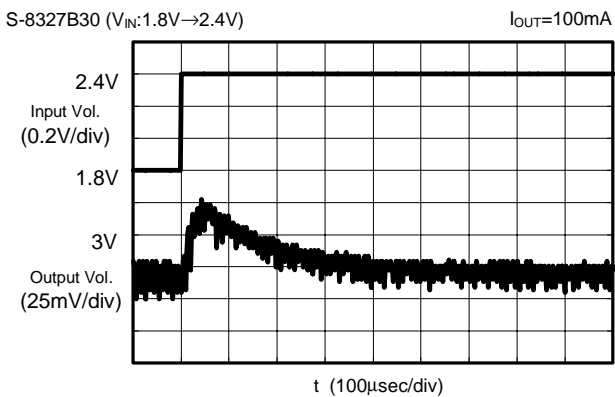
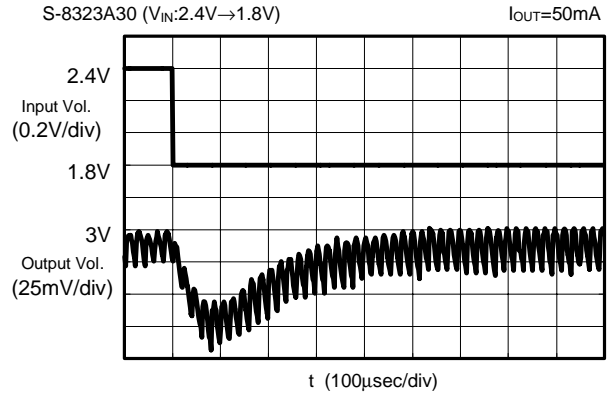
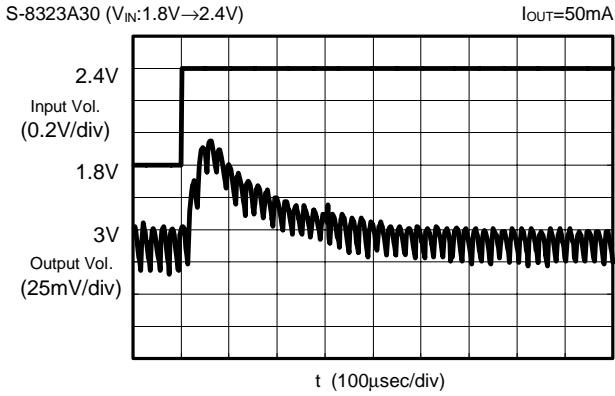
SMALL PACKAGE PWM CONTROL STEP-UP SWITCHING REGULATOR

S-8323/8327 Series

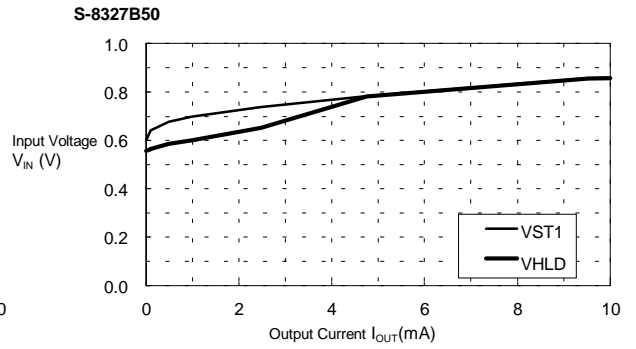
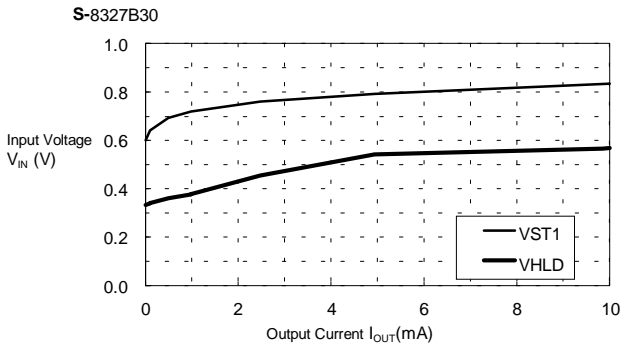
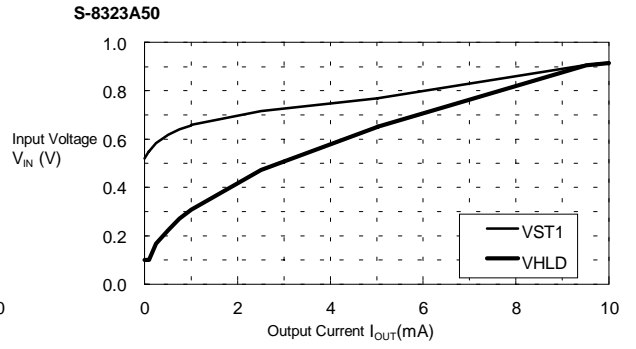
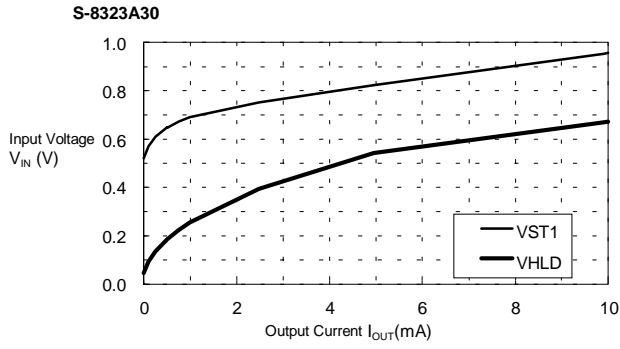
3. Load Fluctuations



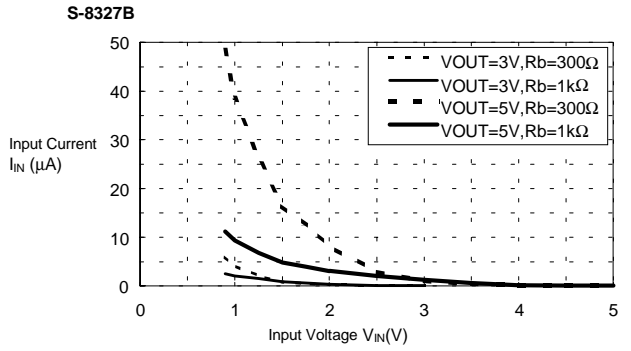
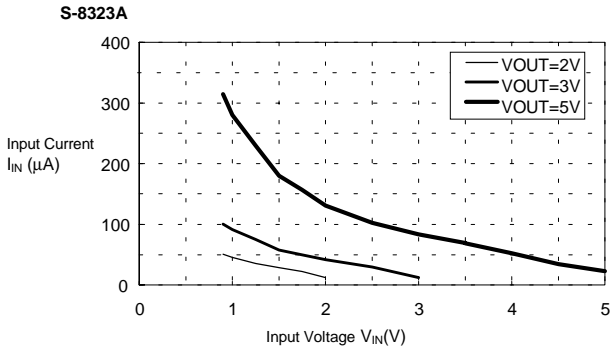
4. Power Voltage Fluctuations



■ **Operation Start Voltage and Operation Holding Voltage Characteristics for Output Current**



■ **Input Voltage Characteristics for Input Current**



SMALL PACKAGE PWM CONTROL STEP-UP SWITCHING REGULATOR

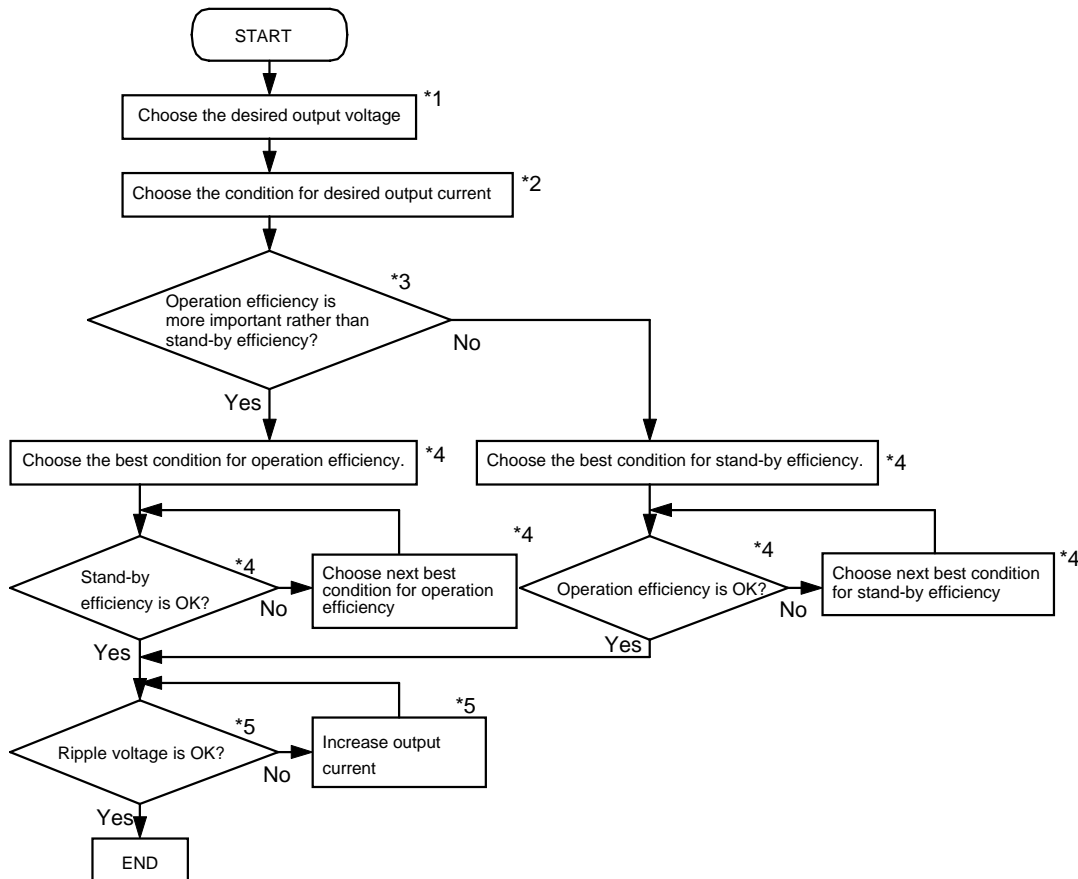
S-8323/8327 Series

■ Reference Data

Use reference data to choose the external parts.

Reference data give you the procedure to choose the recommended external parts for various applications and its characteristics data.

1. Procedure to choose the most suitable condition from reference data.



- *1) Choose desired output voltage from conditions (1) to (17) shown in Table 1 and 2. When desired output voltage does not exist in Tables, choose the next higher voltage. For instance, when $V_{OUT}=3V$ for S-8323, choose from conditions (3) to (6).
- *2) Choose all conditions from conditions chosen above for output current needed for input voltage (min) of the operational condition from "Reference data 1 (a) output voltage characteristics for output current". For instance, when 10mA output current is needed at $V_{IN}=0.9V$, choose from conditions (4) to (6).
- *3) Stand-by efficiency means the efficiency when the output current is small (approx. 100 μ A), operation efficiency means the efficiency when the output current is large (several mA). For instance, go to "YES" when operation efficiency is more important rather than stand-by efficiency.
- *4) Read the efficiency for input voltage and output current in operational condition from "Reference data 1 (b) efficiency characteristics for output current". For instance, when $V_{IN}=0.9V$ at $I_{OUT}=10mA$, the efficiency is max. (75%) in condition (6) in (4) to (6). There is no difference between conditions (4) to (6) when the output current is 100 μ A at stand-by condition. Therefore, choose condition (6).
- *5) Read the ripple voltage under the operational condition selected above from "Reference data 2 ripple voltage characteristics for output current". For instance, when condition (6) is selected above, the ripple voltage is mV at $V_{IN}=0.9V$ and $I_{OUT}=10mA$.

SMALL PACKAGE PWM CONTROL STEP-UP SWITCHING REGULATOR

S-8323/8327 Series

Table 1 S-8323 Series

No.	V _{OUT}	Model name of L	L value	D	C _{OUT}
(1)	2V	LQH3C	220μH	MA720	22μF
(2)	2V	LQH4N	220μH	↑	↑
(3)	3V	LQH4N	220μH	↑	↑
(4)	3V	CD54	47μH	↑	↑
(5)	3V	CD54	100μH	↑	↑
(6)	3V	CD54	220μH	↑	↑
(7)	5V	CD54	47μH	↑	↑
(8)	5V	CD54	100μH	↑	↑
(9)	5V	CD54	220μH	↑	↑

Table 2 S-8327 Series

No.	V _{OUT}	Model name of L	L value	R _b	C _b	D	C _{OUT}
(10)	3V	CD105	22μH	300Ω	0.01μF	MA735	47μF×2
(11)	3V	CD105	22μH	1KΩ	0.0022μF	MA735	47μF×2
(12)	3V	CD54	47μH	1KΩ	0.0022μF	MA720	47μF
(13)	3V	D75C	47μH	1KΩ	0.0022μF	MA720	47μF
(14)	5V	CD105	22μH	300Ω	0.01μF	MA735	47μF×2
(15)	5V	CD105	22μH	1KΩ	0.0022μF	MA735	47μF×2
(16)	5V	CD54	47μH	1KΩ	0.0022μF	MA720	47μF
(17)	5V	D75C	47μH	1KΩ	0.0022μF	MA720	47μF

Table 3 shows the efficiency of the external parts.

Table 3

Part	Model name	Vendor	L value	DC resistance	Max allowable current	Diameter	Height
Inductor	CD105	Sumida	22μH	0.10Ω	1.95A	10.0mm	5.4mm
	CD54	↑	47μH	0.37Ω	0.72A	5.8mm	4.5mm
	↑	↑	100μH	0.70Ω	0.52A	↑	↑
	↑	↑	220μH	1.57Ω	0.35A	↑	↑
	LQH4N	Murata	220μH	5.40Ω	0.11A	4.5mm	2.6mm
	LQH3C	↑	220μH	8.40Ω	0.07A	3.2mm	2.0mm
	D75C	Toko	47μH	0.20Ω	0.76A	7.6mm	5.1mm
	↑	↑	100μH	0.40Ω	0.50A	↑	↑
Diode (Schottkey)	MA720	Matsushita	forward current 500mA (at V _F =0.55V)				
	MA735	↑	forward current 1A (at V _F =0.5V)				
Output capacitor	F93	Nichicon					
External transistor	2SD1628G	Sanyo					

SMALL PACKAGE PWM CONTROL STEP-UP SWITCHING REGULATOR

S-8323/8327 Series

Choose a suitable inductor according to the Figure 31, referring to Table 3.

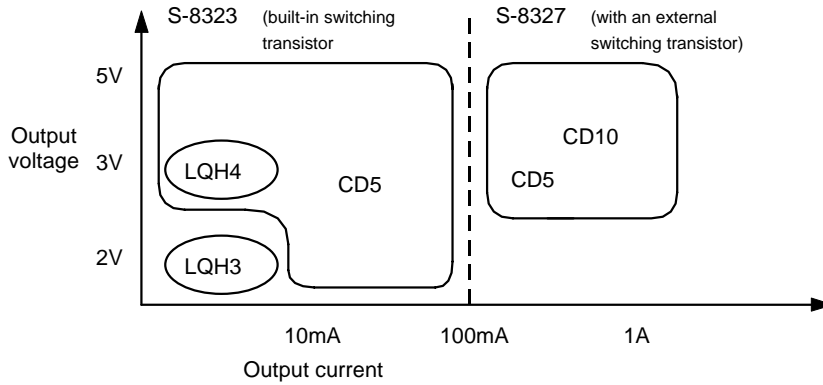
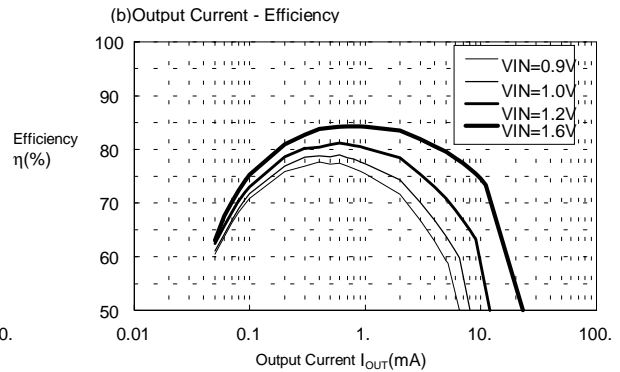
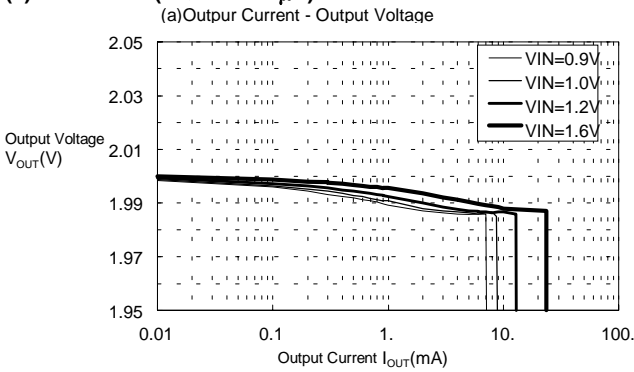


Figure 38 Inductors for output current

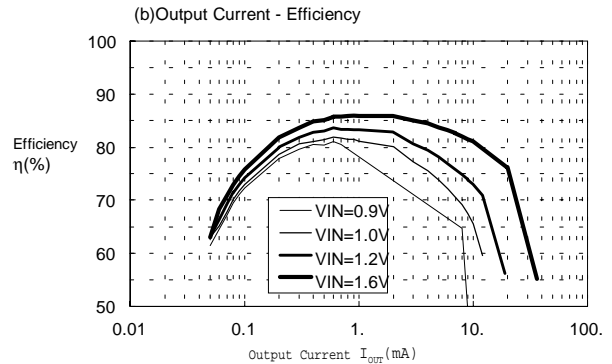
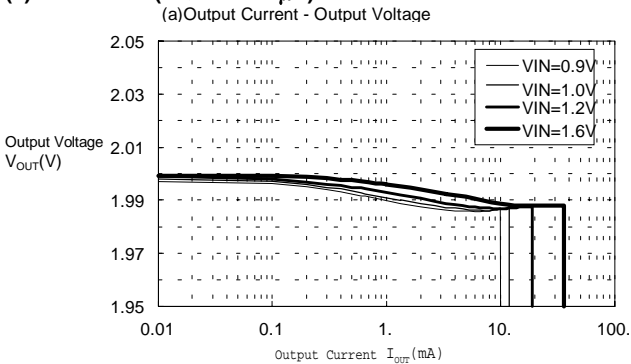
Reference Data 1

(a) Output voltage characteristics for output current and (b) efficiency characteristics for output current under conditions (1) to (17) shown in Tables 1 and 2 are shown below.

(1) S-8323A20 (LQH3C:220 μ H)



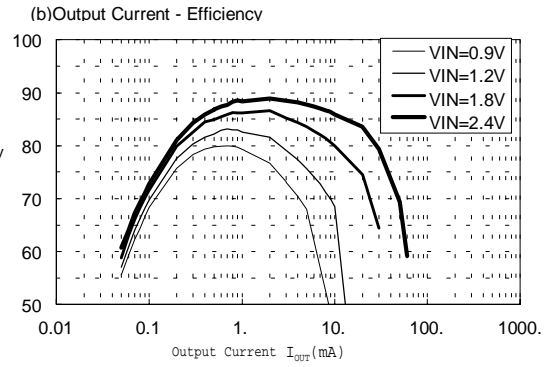
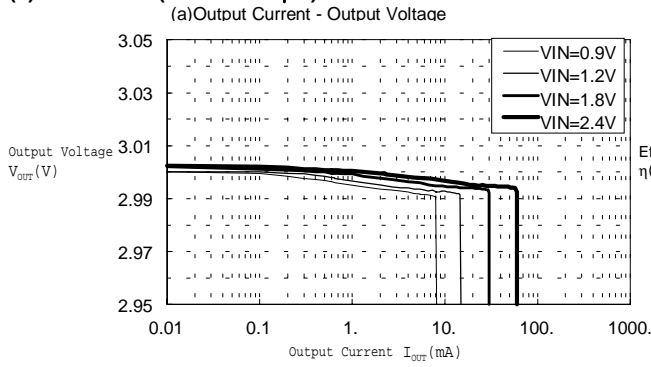
(2) S-8323A20 (LQH4N:220 μ H)



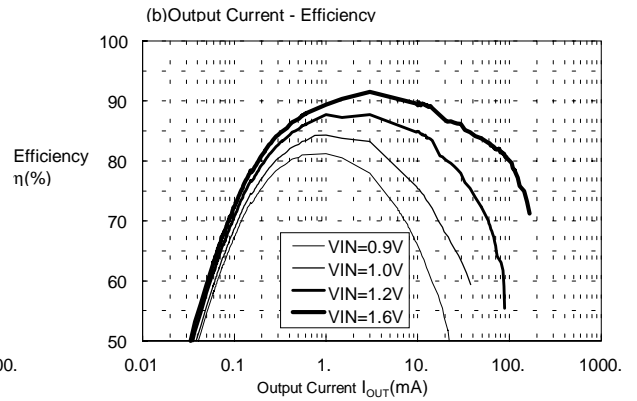
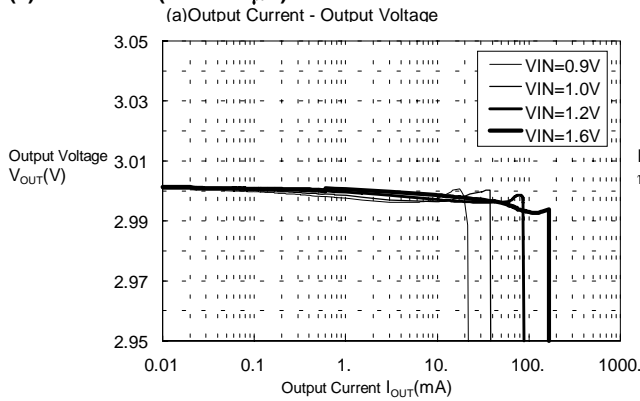
SMALL PACKAGE PWM CONTROL STEP-UP SWITCHING REGULATOR

S-8323/8327 Series

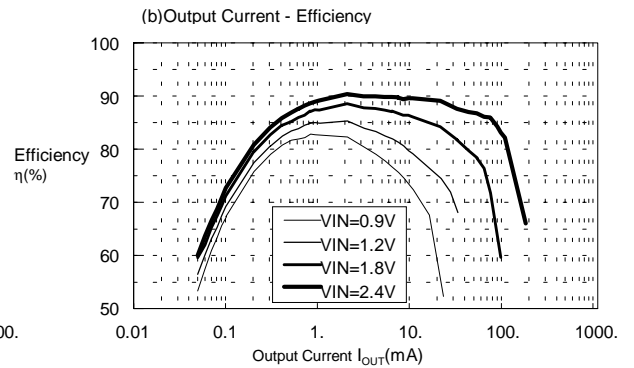
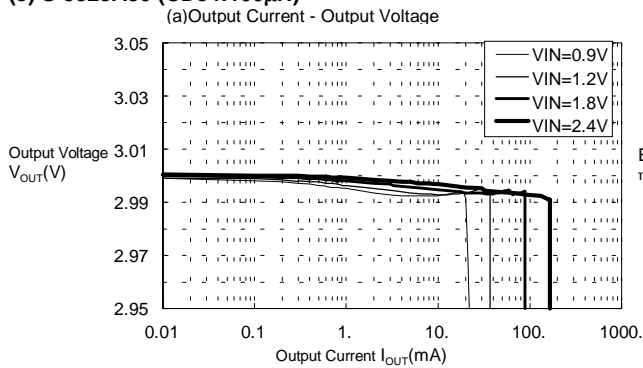
(3) S-8323A30 (LQH4N:220 μ H)



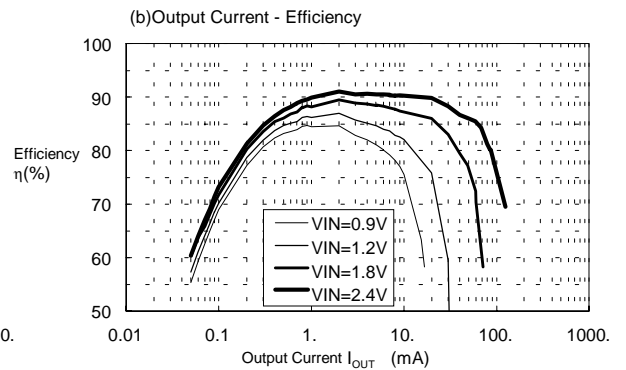
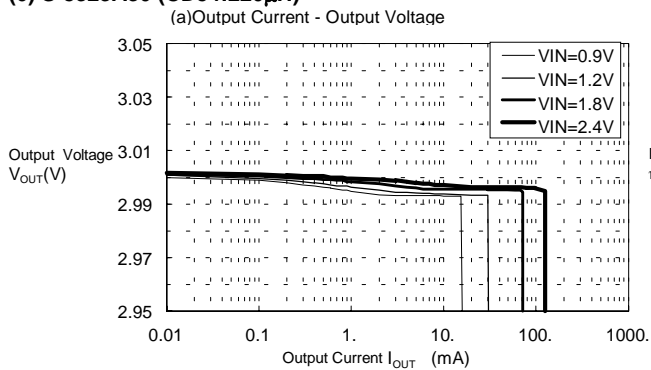
(4) S-8323A30 (CD54:47 μ H)



(5) S-5323A30 (CD54:100 μ H)



(6) S-8323A30 (CD54:220 μ H)

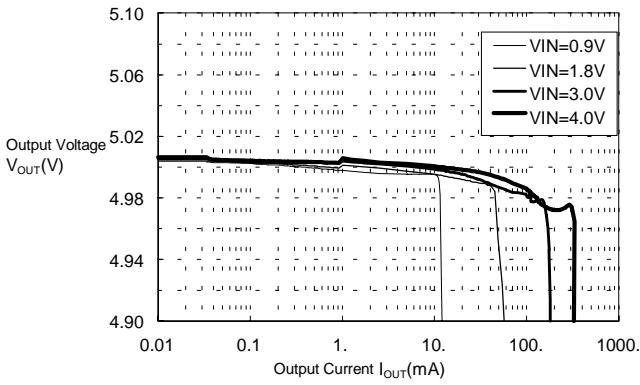


SMALL PACKAGE PWM CONTROL STEP-UP SWITCHING REGULATOR

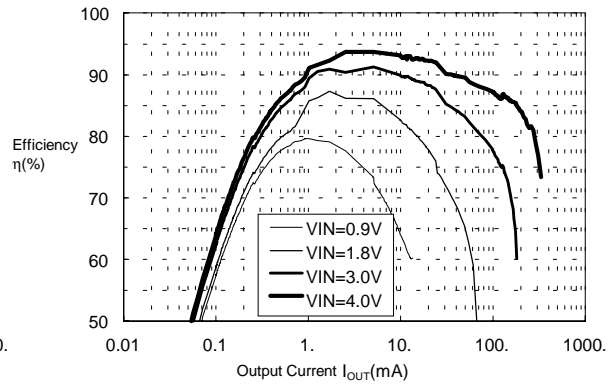
S-8323/8327 Series

(7) S-8323A50 (CD54:47 μ H)

(a) Output Current - Output Voltage

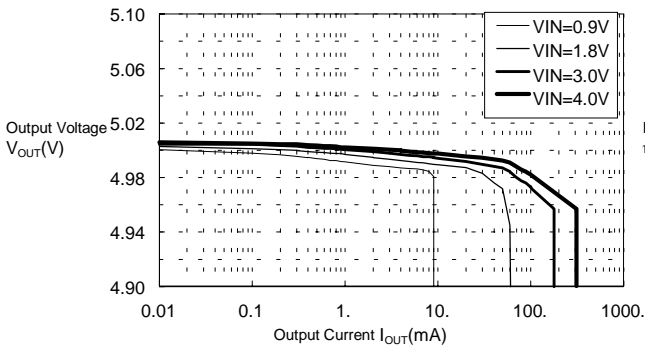


(b) Output Current - Efficiency

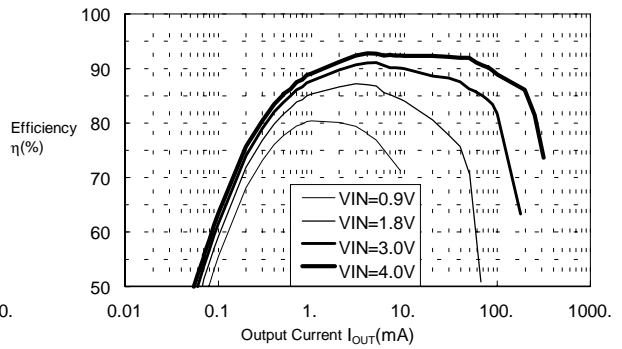


(8) S-8323A50 (CD54:100 μ H)

(a) Output Current - Output Voltage

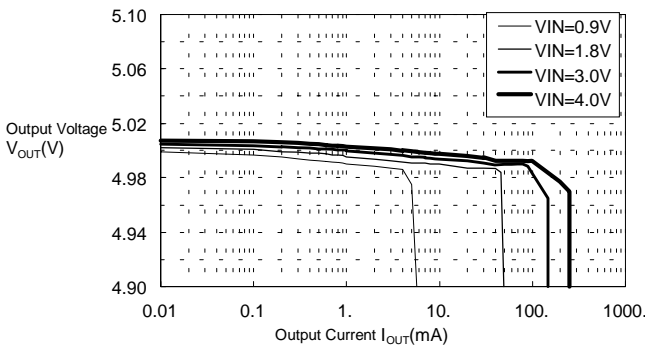


(b) Output Current - Efficiency

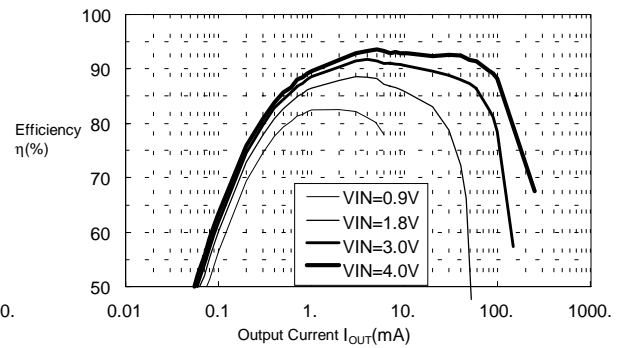


(9) S-8323A50 (CD54:220 μ H)

(a) Output Current - Output Voltage



(b) Output Current - Efficiency

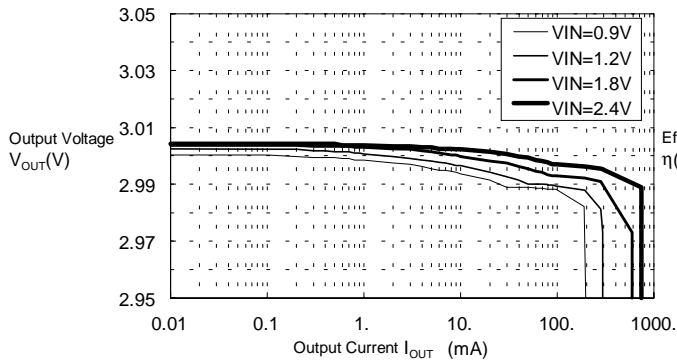


SMALL PACKAGE PWM CONTROL STEP-UP SWITCHING REGULATOR

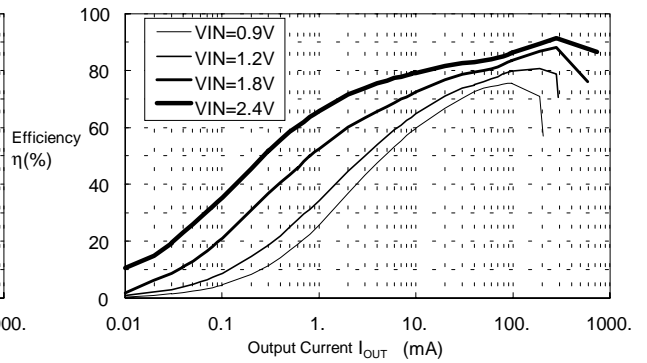
S-8323/8327 Series

(10) S-8327B30 (CD105:22 μ H,Rb=300 Ω ,Cb=0.01 μ F)

(a) Output Current - Output Voltage

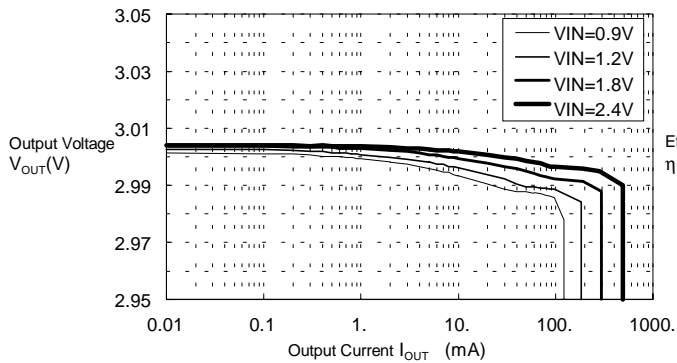


(b) Output Current - Efficiency

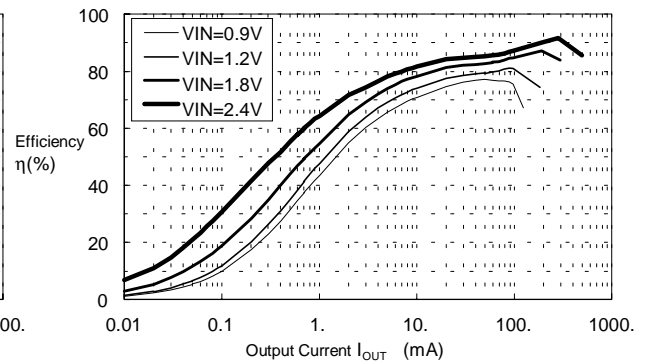


(11) S-8327B30 (CD105:22 μ H,Rb=1k Ω ,Cb=0.0022 μ F)

(a) Output Current - Output Voltage

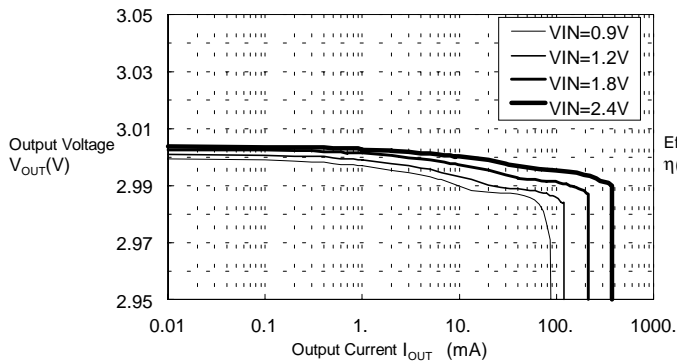


(b) Output Current - Efficiency

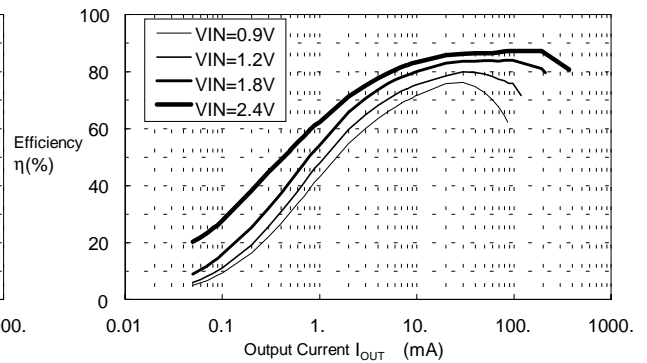


(12) S-8327B30 (CD54:47 μ H,Rb=1k Ω ,Cb=0.0022 μ F)

(a) Output Current - Output Voltage

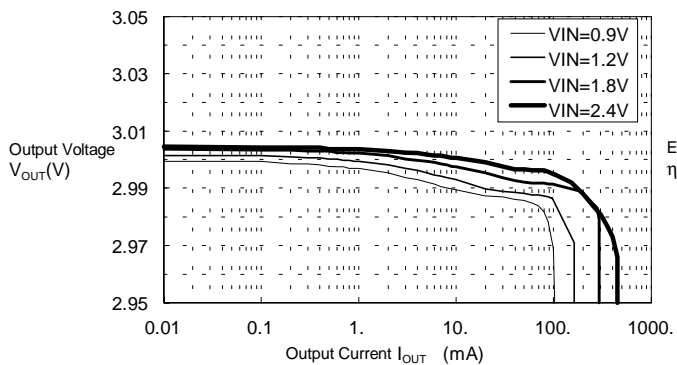


(b) Output Current - Efficiency

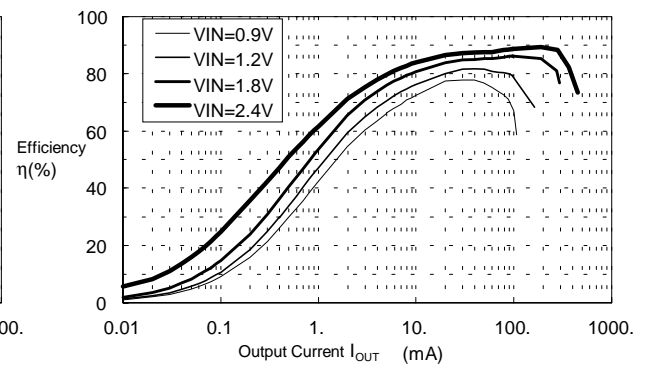


(13) S-8327B30 (D75C:47 μ H,Rb=1k Ω ,Cb=0.0022 μ F)

(a) Output Current - Output Voltage



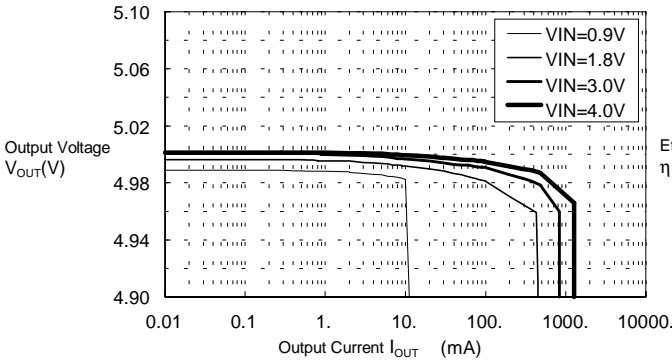
(b) Output Current - Efficiency



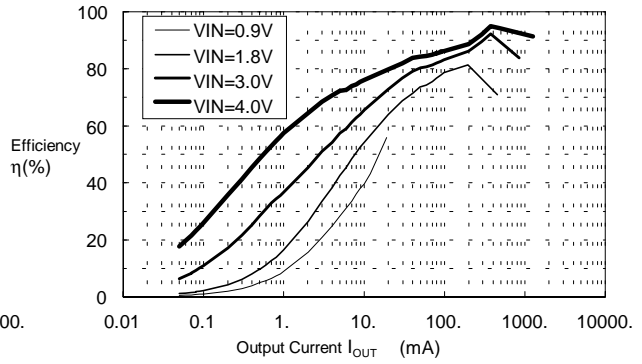
SMALL PACKAGE PWM CONTROL STEP-UP SWITCHING REGULATOR

S-8323/8327 Series

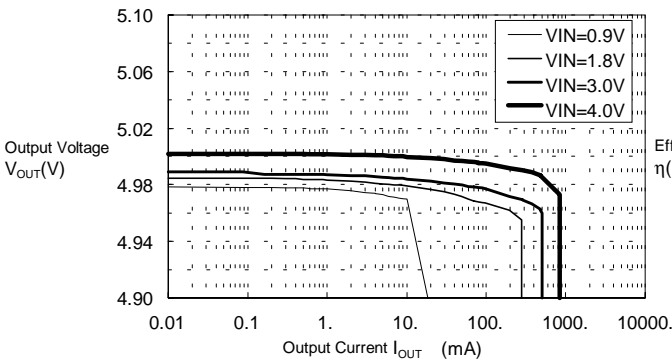
(14)S-8327B50 (CD105:22 μ H,Rb=300 Ω ,Cb=0.01 μ F)
 (a)Output Current - Output Voltage



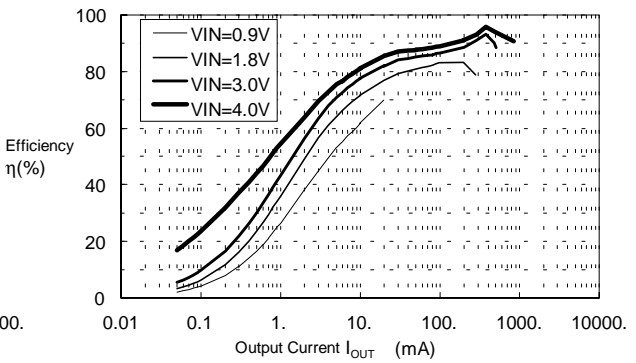
(b)Output Current - Efficiency



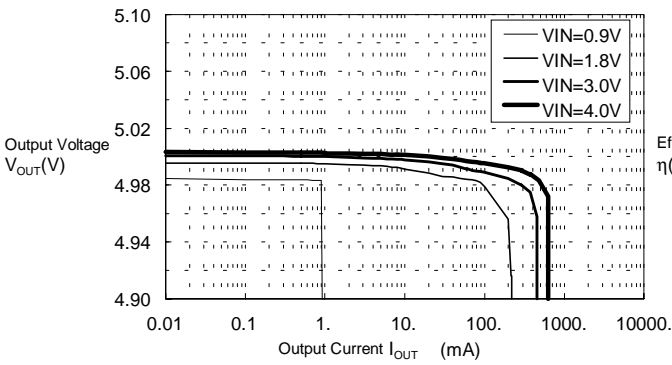
(15)S-8327B50 (CD105:22 μ H,Rb=1k Ω ,Cb=0.0022 μ F)
 (a)Output Current - Output Voltage



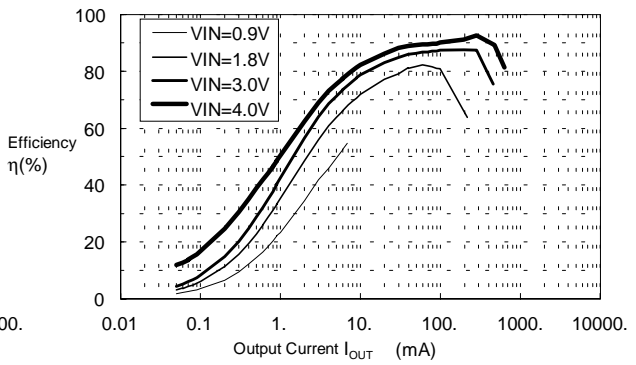
(b)Output Current - Efficiency



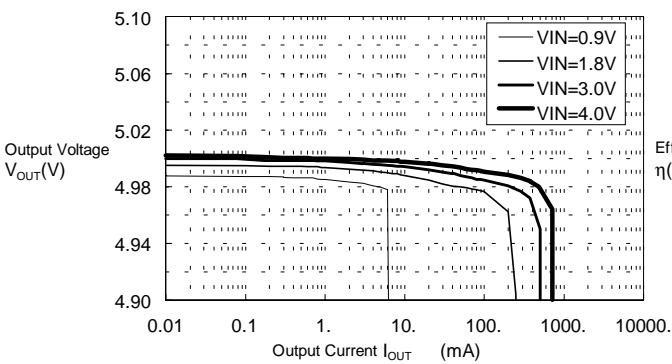
(16)S-8327B50 (CD54:47 μ H,Rb=1k Ω ,Cb=0.0022 μ F)
 (a)Output Current - Output Voltage



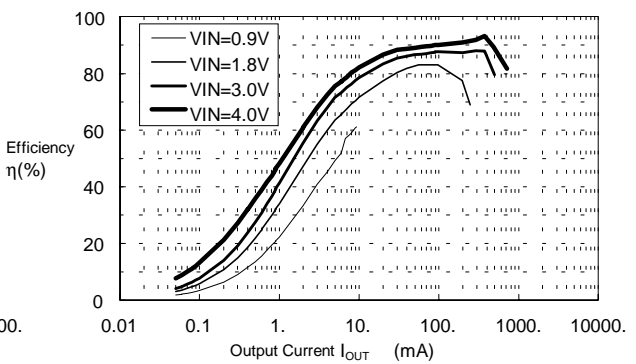
(b)Output Current - Efficiency



(17)S-8327B50 (D75C:47 μ H,Rb=1k Ω ,Cb=0.0022 μ F)
 (a)Output Current - Output Voltage



(b)Output Current - Efficiency



SMALL PACKAGE PWM CONTROL STEP-UP SWITCHING REGULATOR

S-8323/8327 Series

Reference Data 2

The ripple voltage characteristics data is shown below:

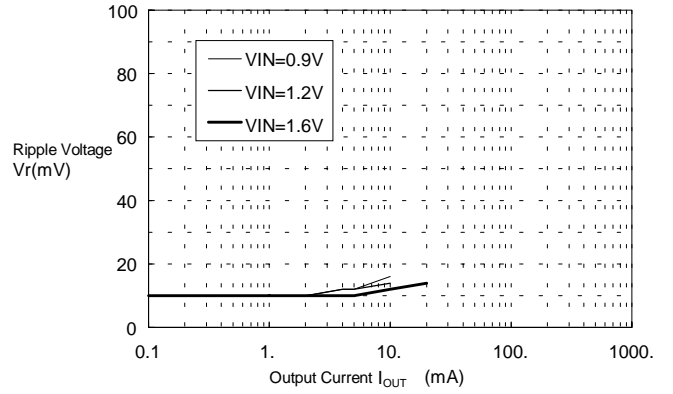
(1)S-8323A20

(LQH3C:220 μ H, C_{OUT}:22 μ F)

Similar to (2)

(2)S-8323A20

(LQH4N:220 μ H, C_{OUT}:22 μ F)



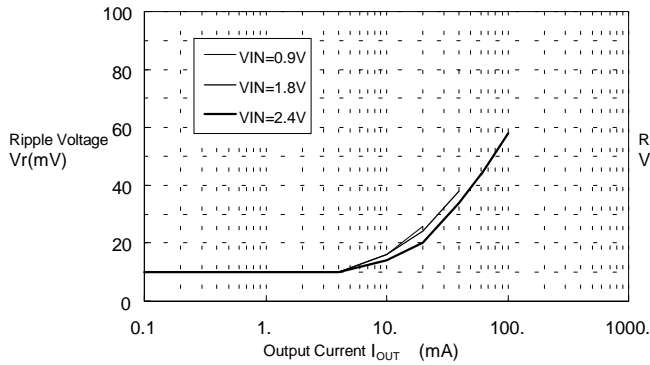
(3)S-8323A30

(LQH4N:220 μ H, C_{OUT}:22 μ F)

Similar to (6)

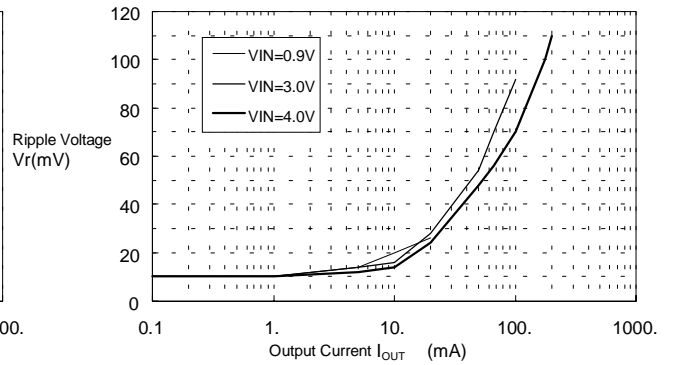
(4)S-8323A30

(CD54:47 μ H, C_{OUT}:22 μ F)



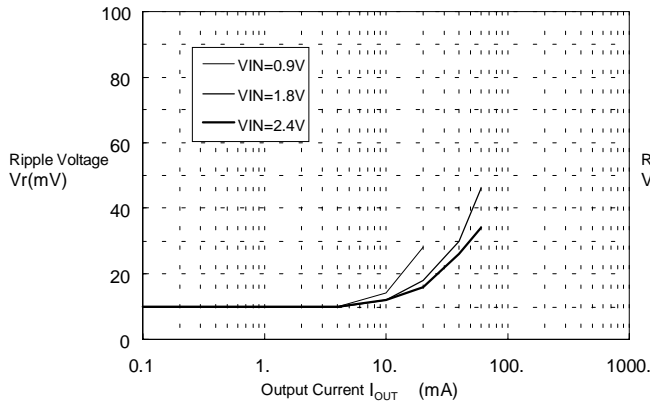
(7)S-8323A50

(CD54:47 μ H, C_{OUT}:22 μ F)



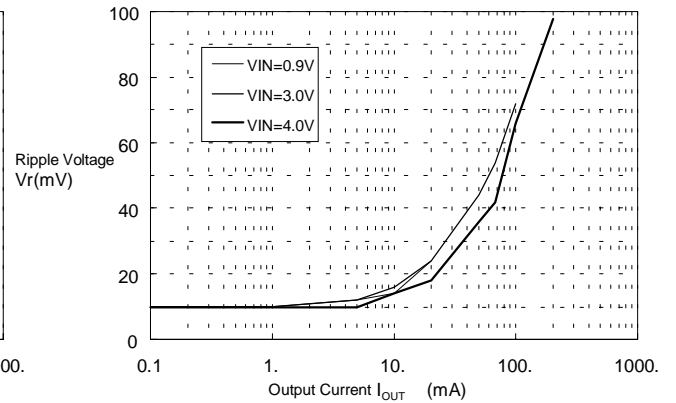
(5)S-8323A30

(CD54:100 μ H, C_{OUT}:22 μ F)



(8)S-8323A50

(CD54:100 μ H, C_{OUT}:22 μ F)

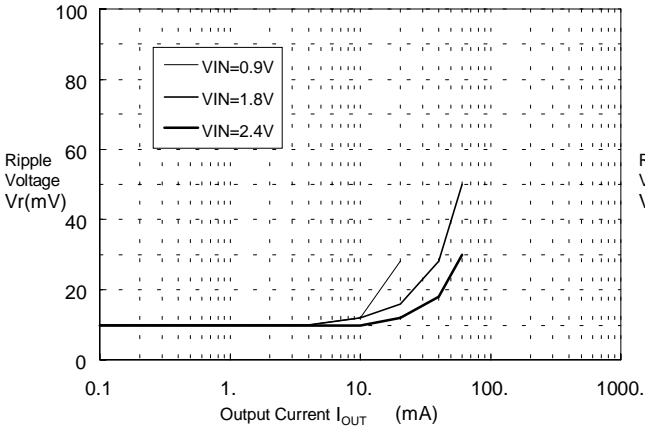


SMALL PACKAGE PWM CONTROL STEP-UP SWITCHING REGULATOR

S-8323/8327 Series

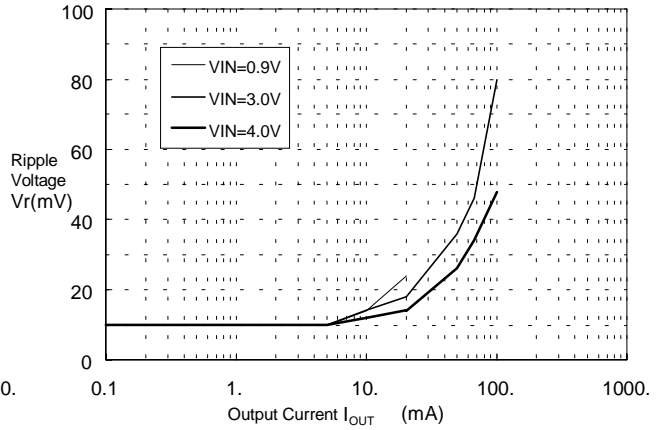
(6)S-8323A30

(CD54:220 μ H, C_{OUT}:22 μ F)



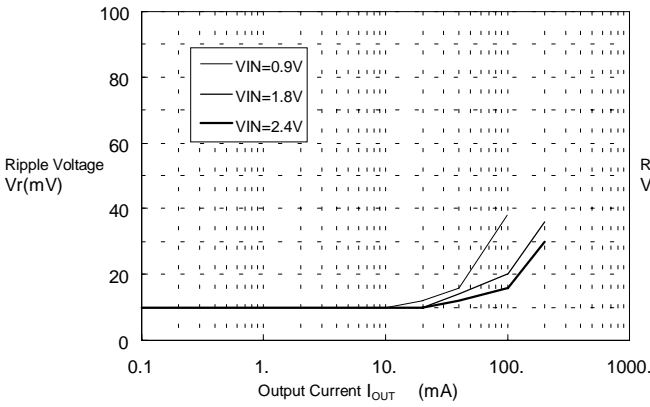
(9)S-8323A50

(CD54:220 μ H, C_{OUT}:22 μ F)



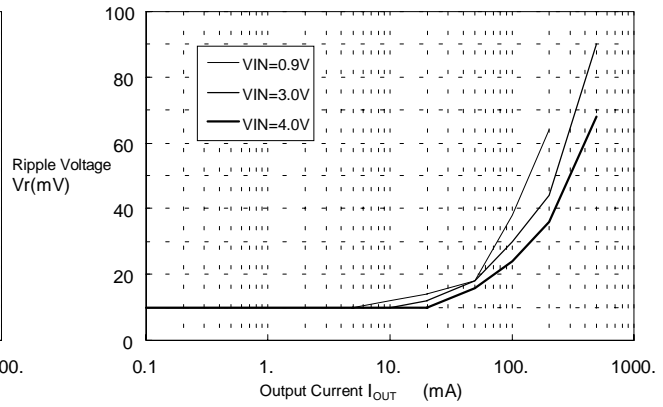
(10)(11)S-8327B30

(CD105:22 μ H, C_{OUT}:47 μ F \times 2)



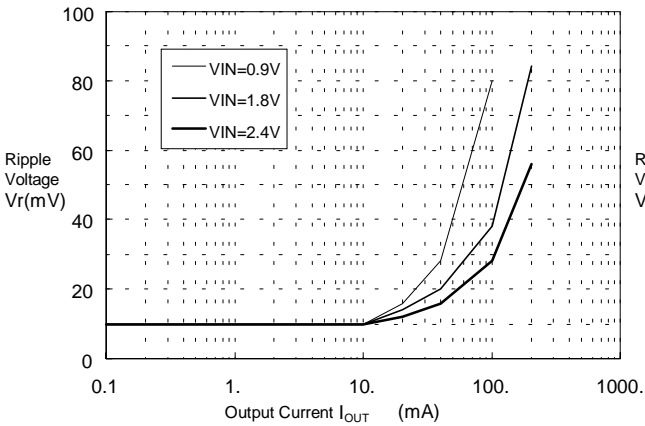
(14)(15)S-8327B50

(CD105:22 μ H, C_{OUT}:47 μ F \times 2)



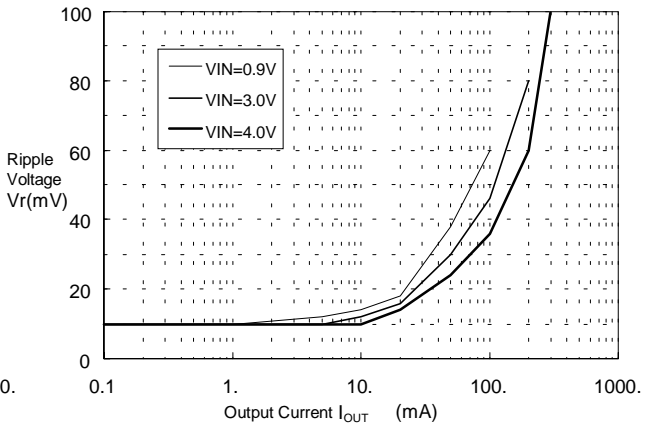
(12)S-8327B30

(CD54:47 μ H, C_{OUT}:47 μ F)



(16)S-8327B50

(CD105:47 μ H, C_{OUT}:47 μ F)



(13)S-8327B30

(D75C:47 μ H, C_{OUT}:47 μ F)

Similar to (12)

(16)S-8327B50

(D75C:47 μ H, C_{OUT}:47 μ F)

Similar to (16)

Collection of Product FAQs

Author: Tachibana Midori

Date: 98/11/12 (Thursday) 10:17 (Modified:)

<Information level>

B: For Distri & Rep (Printing N.G.)

Index: B: Technical

<Product>

Division name: 01 IC

Category 1: 11 Power Supply

Category 2: 4. Switching Regulators

Cal No.: S-8323/24/27/28

Related Documents:

Question:

What about the soft-start mechanism of the S-8323/24/27/28?

Answer:

The soft-start function has been added to prevent overshoot of the output voltage when the boosting operation is initiated, and to suppress the rush current during voltage increases. The following are among the soft-start methods available:

- ① Placing a current limit on the switching current
- ② Slowly increasing the reference voltage
- ③ Limiting on-duty at the start

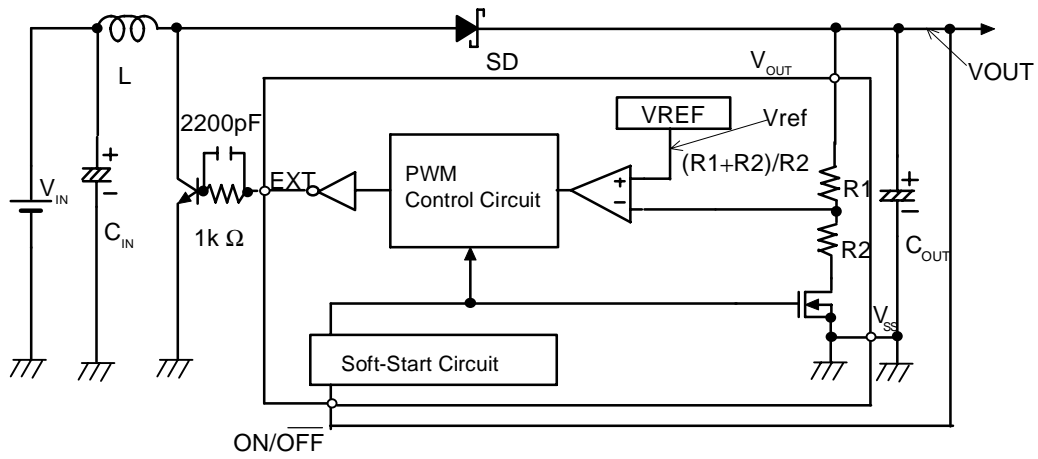
This IC adopts method ② above.

The waveforms observed when the S-8327B30 is soft-started are shown below. As reference voltage VREF within the measurement circuit is increased slowly from 0 V, output voltage VOUT also slowly increases. [Vref indicated with dotted lines in the waveform is the value obtained when reference voltage VREF is converted to an output voltage VOUT level ($V_{ref} = V_{REF} \times (R1 + R2) \div R2$).]

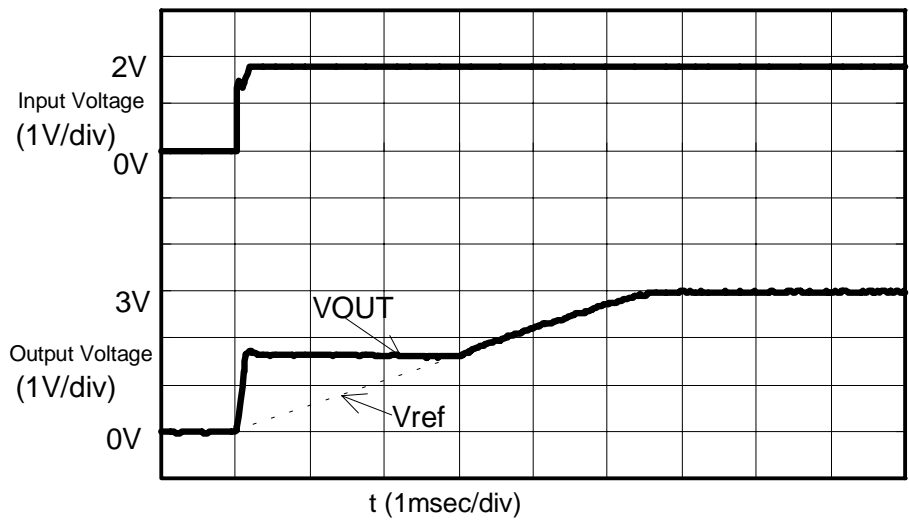
VOUT increases to close to VIN immediately after the power is switched on, as the current is supplied from VIN to VOUT via L and SD of the measurement circuit. Moreover, the soft-start function implemented by an output-power regulation circuit allows an extended soft-start time to be ensured when a large external Cc is selected.

(Refer to FAQ No. 11S8323007.)

Measurement Circuit: S-8327B30 VIN = 0 → 1.8 V IOU = 1 mA



Waveforms



<Remarks>

FAQ No.: 11S8323013

Collection of Product FAQs

Author: Tachibana Midori

Date: 98/11/12 (Thursday) 10:17 (Modified:)

<Information level>

A: Public (Printing O.K.)

Index: B: Technical

<Product>

Division name: 01 IC

Category 1: 11 Power Supply

Category 2: 4. Switching Regulators

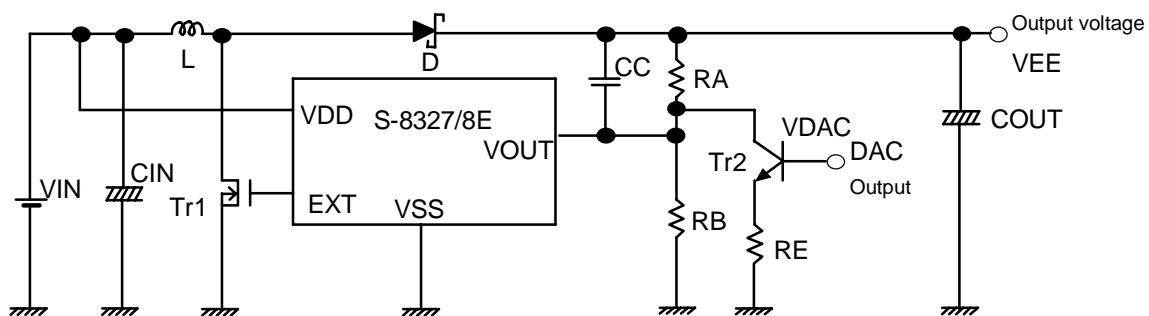
Cal No.: S-8323/24/27/28

Related Documents:

Question:

Is there any way to adjust the output-voltage value using the DAC output of a microcomputer, etc.?

Answer:



The output voltage can be adjusted by adding Tr2 and RE to the output-voltage regulation circuit in the above circuit diagram. If the internal resistance of VOUT, etc. is not taken into account, output voltage VEE can be represented by the following equation:

$$VEE = VOUT \times \frac{RA + RB}{RB} + RA \times \frac{VDAC - VBE}{RE}$$

The above equation indicates that output voltage VEE changes with variations in DAC output voltage VDAC of a microcomputer, etc.

The minimum value (VEEmin.) and maximum value (VEEmax.) of the output-voltage adjustment range are defined as follows:

1. Disregard Tr2 and RE, and set RA, RB, and CC such that the output voltage will be less than VEEmin. The procedure for this should comply with FAQ No. 11S8323007. (In particular, use of the software is recommended.)
2. Then, set an RE that will allow the output voltage to exceed VEEmax. when Tr2 comes on. Such a value can be found using the following equation, where OUTmin. is the minimum deviation value (OUTmin. resulting from software calculation) of the voltage VEE computed in 1. above, VDACmax. is the maximum value of the DAC output, and VBE is the base-emitter voltage of Tr2. (However, deviations in the resistance values of RA and RB must be taken into consideration.)

$$RE \geq \frac{(VDACmax - VBE)}{(VEEmax - OUTmin)} \times RA$$

Tr2 is a transistor designed for small signals. Select one that features a withstand voltage that is higher than the output voltage VEE to be set. Moreover, select an output voltage VOUT of the S-8327/8E that will allow the following condition to be met and will not allow saturated operation of Tr2.

$$VOUT \geq VDACmax + VBE$$

<Remarks>

FAQ No.: 11S8323012

Collection of Product FAQs

Author: Tachibana Midori

Date: 98/11/ 12 (Thursday) 10:17 (Modified:)

<Information level>

B: For Distri & Rep (Printing N.G.)

Index:B Technical

<Product>

Division name: 01 IC

Category 1: 11 Power Supply

Category 2: 4. Switching Regulators

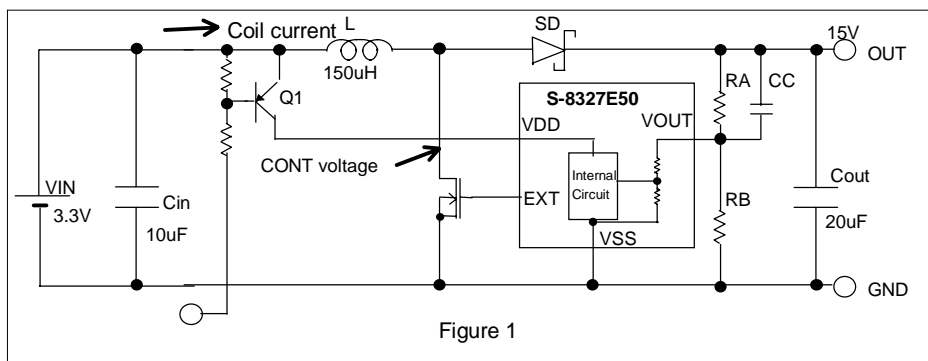
Cal No.: S-8323/24/27/28

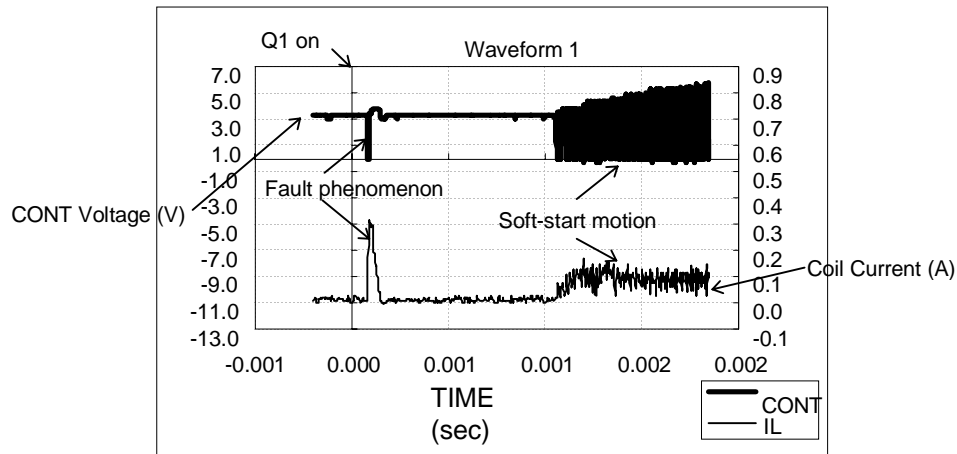
Related Documents:

Question:

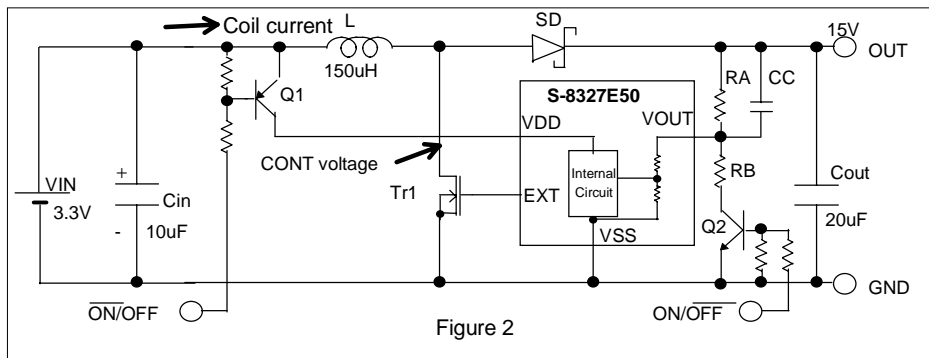
What remedial action will be taken against the phenomenon observed in an output-voltage regulation circuit, in which a boosting pulse is delivered momentarily and a rush current flows immediately after the power is switched on?

Answer:





In the output-voltage boosting circuit shown in Figure 1, when the Vdd switch (Q1) comes on to initiate voltage boosting, full-duty switching is observed prior to the soft-start motion, as can be seen in Waveform 1, and a failure occurs, causing a large rush current to flow from VIN and the VIN voltage to drop. This occurs if the VOUT terminal voltage falls ($V_{IN} \times R_B \div (R_A + R_B)$) due to the addition of RA and RB when the Vdd switch (Q1) comes on. As a result, an extended period is required to set the output voltage of the internal error amplifier circuit. One means of preventing this malfunction of the internal error amplifier circuit is turning off Q2 at the moment the Vdd switch (Q1) goes off, so that VOUT will be made equal to the VDD level via RA, as shown in Figure 2. (Normally, RA and RB are cut off in order to eliminate the reactive current generated when the power is switched off.)



<Remarks>

FAQ No.: 11S8323011

Collection of Product FAQs

Author: Tachibana Midori

Date: 98/11/12 (Thursday) 10:17 (Modified:)

<Information level>

B: For Distri & Rep (Printing N.G.)

Index: B: Technical

<Product>

Division name: 01 IC

Category 1: 11 Power Supply

Category 2: 4. Switching Regulators

Cal No.: S-8323/24/27/28

Related Documents:

Question:

How can the duty ratio in the boosting motion of a 100-kHz product be calculated?

Answer:

Basically, the duty ratio at the time of the boosting motion varies depending on such conditions as the input voltage V_{IN} , output voltage V_{OUT} , load current I_{OUT} , coil value L , oscillation frequency f_{osc} , and Schottky diode voltage V_F . If these conditions are known, the duty ratio can be roughly computed using the following equation:

$$\text{Duty} = L \times f_{osc} \div V_{IN} \times \sqrt{2 \times I_{OUT} \times (V_{OUT} - V_F - V_{IN})} \div f_{osc} \div L$$

(The above equation can be derived from Formulas (4) and (17) in the Data Book and $\text{Duty} = t_{on} \times f_{osc}$.)

However, it is essential that the duty value given by the above equation be smaller than the duty value computed below (non-continuous mode).

$$\text{Duty} \leq \text{duty} = (V_{OUT} - V_F - V_{IN}) \div (V_{IN} + (V_{OUT} - V_F - V_{IN}))$$

<Remarks>

FAQ No.: 11S8323010

Collection of Product FAQs

Author: Tachibana Midori

Date: 98/11/12 (Thursday) 10:17 (Modified:)

<Information level>

A: Public (Printing O.K.)

Index: B: Technical

<Product>

Division name: 01 IC

Category 1: 11 Power Supply

Category 2: 4. Switching Regulators

Cal No.: S-8323/24/27/28

Related Documents:

Question:

What is the basic concept of the S-8323 peak current?

Answer:

1. I_{pk} in boosting

The basic concept is as follows:

- ① Loss P_{on} of V_{IN} due to i_L in the figure below is:

$$P_{on} = \frac{1}{2} \times L \times f_{osc} \times I_{pk}^2$$

- ② Loss P_{off} of V_{IN} due to i_2 in the figure below is:

$$P_{off} = \frac{1}{2} \times L \times f_{osc} \times I_{pk}^2 \times \frac{V_{IN}}{V_{out} - V_{IN}}$$

- ③ Assuming that ①+② is equal to energy P_{out} supplied from V_{out} ,

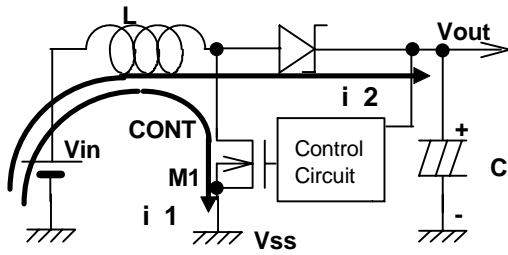
$$I_{out} \times V_{out} = P_{on} + P_{off}$$

$$I_{out} = \frac{1}{2} \times L \times f_{osc} \times I_{pk}^2 \times \frac{1}{V_{out} - V_{IN}}$$

$$I_{pk} = \sqrt{\frac{2 \times I_{out} \times (V_{out} - V_{IN})}{L \times f_{osc}}}$$

Sample
boosting circuit:

$V_{in} < V_{out}$



2. I_{pk} in inversion

The basic concept is as follows:

- ① Loss P_{on} of V_{IN} due to i_1 in the figure below is:

$$P_{on} = \frac{1}{2} \times L \times f_{osc} \times I_{pk}^2$$

- ② Loss P_{off} of V_{IN} due to i_2 in the figure below is:

$$P_{off} = 0$$

- ③ Assuming that ①+② is equal to energy P_{out} supplied from V_{out} ,

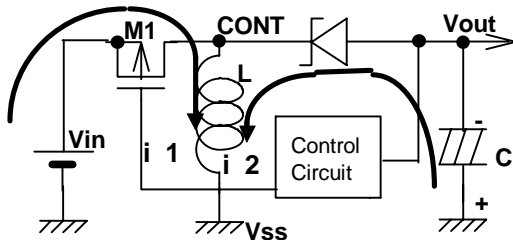
$$I_{out} \times V_{out} = P_{on}$$

$$I_{out} = \frac{1}{2} \times \frac{1}{V_{out}} \times L \times f_{osc} \times I_{pk}^2$$

$$I_{pk} = \sqrt{\frac{2 \times I_{out} \times V_{out}}{L \times f_{osc}}}$$

Sample
inversion circuit:

$0 < V_{in} < V_{out}$



<Remarks>

FAQ No.: 11S8323009

Collection of Product FAQs

Author: Tachibana Midori

Date: 98/11/12 (Thursday) 10:17 (Modified:)

<Information level>

X: Working

Index: B: Technical

<Product>

Division name: 01 IC

Category 1: 11 Power Supply

Category 2: 4. Switching Regulators

Cal No.: S-8323/24/27/28

Related Documents:

Question:

What about using MOS FET siliconix/TN200T externally connected to the S-8328B?

Answer:

Power dissipation when Siliconix/TN200T is used.

Results:

- Version 3.3 V did not have the required capacity of $I_{out} = 400 \text{ mA}$ (at $V_{IN}=1.8 \text{ V}$) when Siliconix/TN0200T was employed.
- Version 5 V did not exceed the power dissipation of Siliconix/TN0200T at $I_{out} = 200 \text{ mA}$ (at $V_{IN}=1.8 \text{ V}$).

Description of study:

Loss P under the worst possible conditions ($V_{IN}=1.8 \text{ V}$, $I_{out}=200 \text{ mA}$) was calculated.

$$\begin{aligned} P &= (I_{contave} \times \text{duty})^2 \times R_{on} \\ &= (0.84\text{A} \times 76\%)^2 \times 0.4\Omega \\ &= 0.163\text{w} \leq \text{PD} (0.23\text{w}) \end{aligned}$$

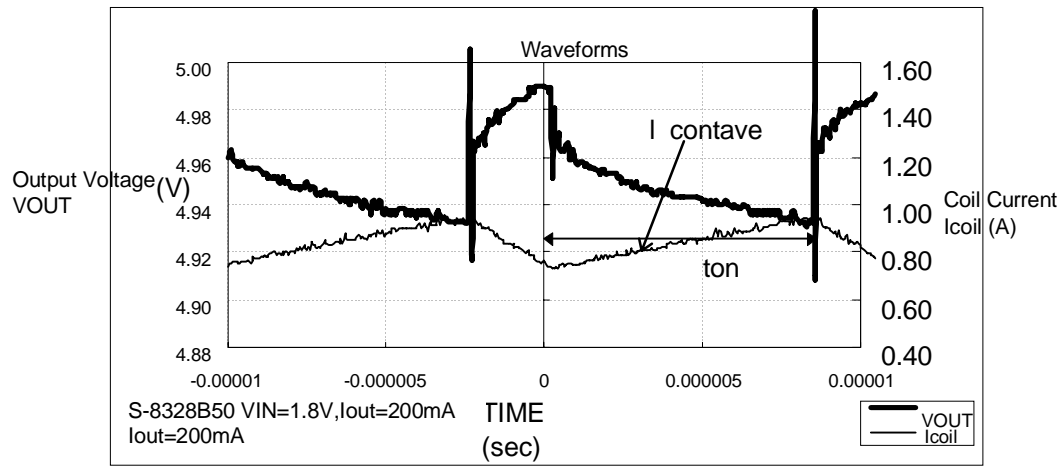
Where,

$I_{contave}$: Average current that flows through the external MOS FET, TRS at the time of t_{on} . This is a measured value (see the waveforms below).

duty: Ratio of t_{on} to the switching period. This is a measured value (see the waveforms below).

R_{on} : Drain-source resistance value when Siliconix/TN0200T comes on. This is the maximum value of the specification.

PD: Package power dissipation of Siliconix/TN0200T. This is the maximum value of the specification.



<Remarks>

FAQ No.: 11S8323008

Collection of Product FAQs

Author: Tachibana Midori

Date: 98/11/12 (Thursday) 10:17 (Modified:)

<Information level>

A: Public (Printing O.K.)

Index: B: Technical

<Product>

Division name: 01 IC

Category 1: 11 Power Supply

Category 2: 4. Switching Regulators

Cal No.: S-8323/24/27/28

Related documents:

Question:

What is the maximum temperature coefficient of the output voltage?

Answer:

The worst temperature coefficient of the output voltage is as follows:

S-8323~8 410 ppm/°C

When this value is applied to $V_{OUT}=2\text{ V}$, the temperature coefficient of the output voltage, $\Delta V_{out}/\Delta T_a$ (mV/°C), as defined by the SII specifications, is given as:

S-8323~8 $\pm 0.82\text{ mV/°C}$ (410 ppm/°C x 2 V)

Note that this is an actual value and is not guaranteed as a specification.

<Remarks>

FAQ No.: 11S8323006

Collection of Product FAQs

Author: Tachibana Midori

Date: 98/11/12 (Thursday) 10:17 (Modified:)

<Information level>

A: Public (Printing O.K.)

Index: B: Technical

<Product>

Division name: 01 IC

Category 1: 11 Power Supply

Category 2: 4 Switching Regulators

Cal No.: S-8323/24/27/28

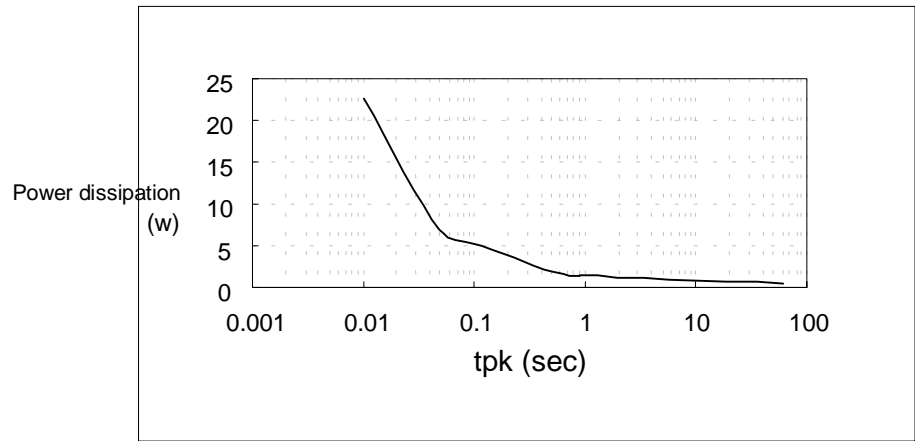
Related documents:

Question:

At start-up of S-8323~4, a large peak current flows through the CONT terminal. Is it possible that the peak current could cause a loss that exceeds the power dissipation?

Answer:

The power dissipation for S-8323~4 is 500 mW when the SOT-89 package is used, and 150 mW when the SOT-23 package is used. However, these power dissipation are only applicable when the loss is steady. At start-up, the large peak current at the CONT terminal lasts only until the output voltage increases to the preset value. Based on actually measured data using the SOT-23 package, the power dissipation for the peak current duration (tpk) at the CONT terminal is shown in the figure below. For example, when the peak current duration (tpk) at the CONT terminal is 100 m SEC, the power dissipation is up to 5 W; the peak current is up to 1 A if CONT=5 V.



<Remarks>

FAQ No.: 11S8323005

Collection of Product FAQs

Author: Tachibana Midori

Date: 98/11/12 (Thursday) 10:17 (Modified:)

<Information level>

A: Public (Printing O.K.)

Index: B: Technical

<Product>

Division name: 01 IC

Category 1: 11 Power Supply

Category 2: 4. Switching Regulators

Cal No.: S-8323/24/27/28

Related documents:

Question:

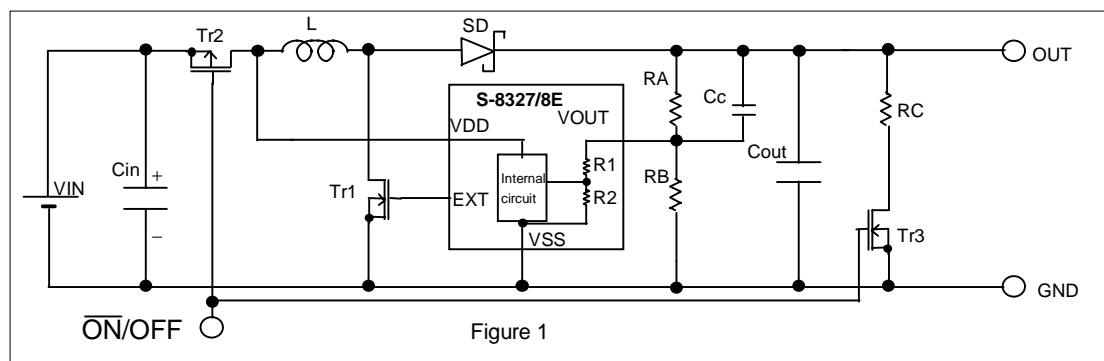
In the output-voltage regulator circuit described on the data sheet, how can the output be discharged to GND when the power is turned off?

Answer:

- ① If the rush current flowing from the input power supply does not cause a problem when the power is turned on:

When turning off the power, switch off SWR from VIN.

Since Tr 2 is off when the power is off, turn on Tr 3 to discharge Cout through RC.



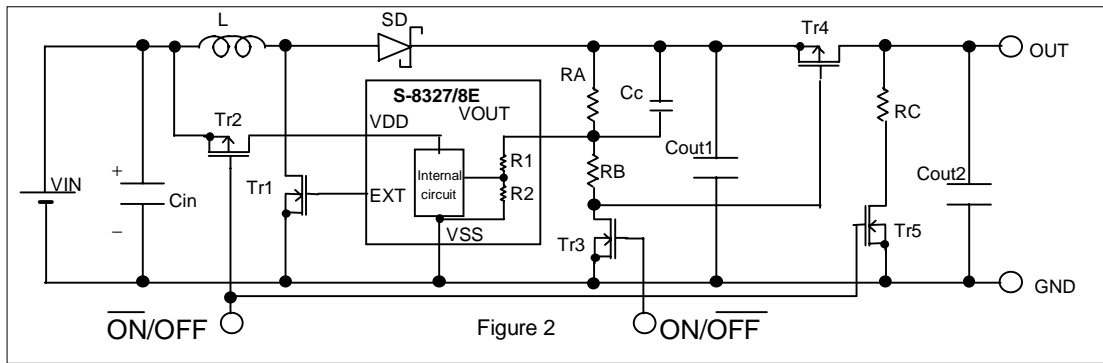
- ② If the rush current causes a problem when the power is turned on:

When turning off the power, switch off the VDD of IC and the GND side of the external resistance.

Since Tr 3 and Tr 4 are off when the power is off, turn on Tr 5 to discharge Cout 2 through RC.

Two sets of inputs for turning on the power, a positive logic and a negative logic, are required.

Compared with Figure 1, additional external parts are also required (two Tr's and a capacitor).



<Remarks>

FAQ No.: 11S8323004

Collection of Product FAQs

Author: Tachibana Midori

Date: 98/11/12 (Thursday) 10:17 (Modified:)

<Information level>

A: Public (Printing O.K.)

Index: B: Technical

<Product>

Division name: 01 IC

Category 1: 11 Power Supply

Category 2: 4. Switching Regulators

Cal No.: S-8323/24/27/28

Related documents:

Question:

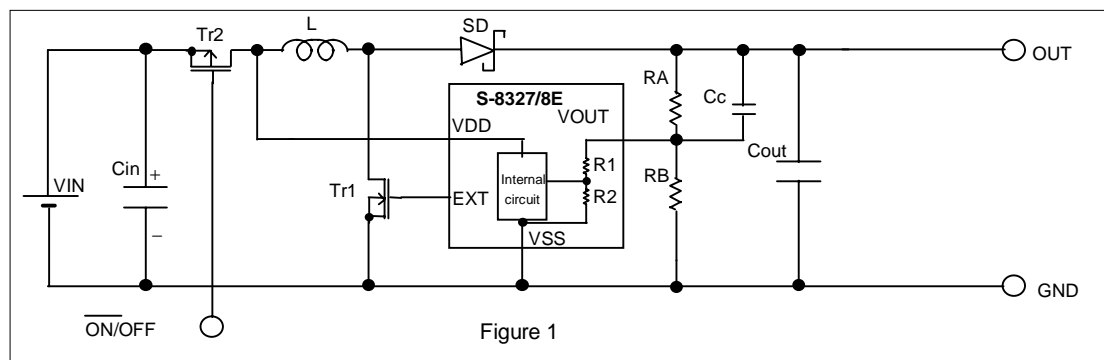
In the output-voltage regulator circuit described on the data sheet, how is the power turned off?

Answer:

- ① If the rush current does not cause a problem when the power is turned on:

When turning off the power, switch off SWR from VIN.

When the power is turned on (VIN and SWR are connected), a rush current flows at Cout.



- ② If the rush current causes a problem when the power is turned on:

When turning off the power, switch off VDD of IC and the GND side of the external resistance.

Two sets of inputs for turning on the power, a positive logic and a negative logic, are required. To restrict the rush current, increase the capacitance of Cc so that the soft start-up time is prolonged.

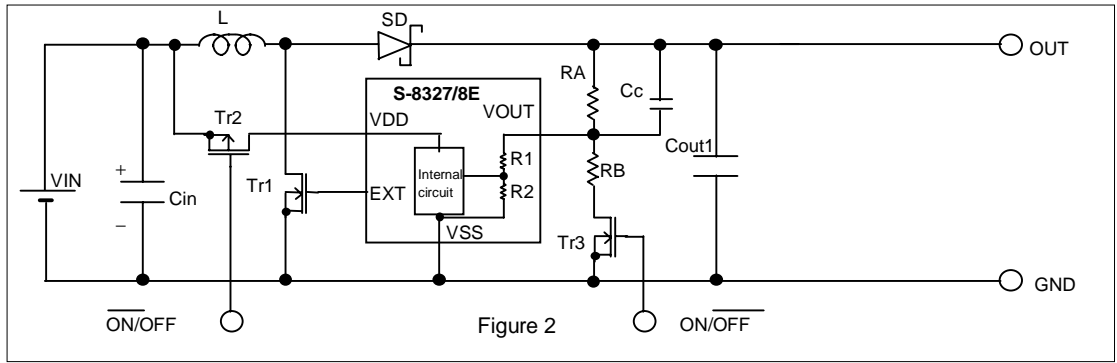


Figure 2

<Remarks>

FAQ No.: 11S8323003

Collection of Product FAQs

Author: Tachibana Midori

Date: 98/11/12 (Thursday) 10:17 (Modified:)

<Information level>

A: Public (Printing O.K.)

Index: B: Technical

<Product>

Division name: 01 IC

Category 1: 11 Power Supply

Category 2: 4. Switching Regulators

Cal No.: S-8323/24/27/28

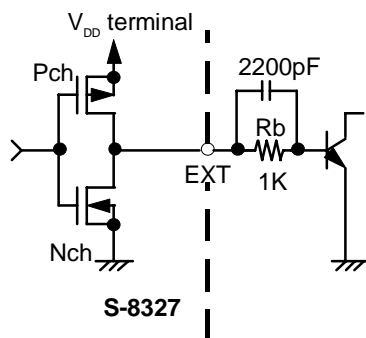
Related documents:

Question:

In the separated VDD type of S-8327/8, what is the output amplitude at the EXT terminal?

Answer:

The amplitude of the EXT output is from GND to the power-supply voltage of the internal circuit of the S-8327/8 series. For normal types (A, B, C, and F series), the EXT output amplitude is from GND to VOUT due to the fact that the power for the internal circuit is supplied from the VOUT terminal. For the separated VDD type (D, E, and G series), the EXT output amplitude is from GND to VDD due to the fact that the power-supply voltage for the internal circuit occurs at the VDD terminal. For example, the EXT output amplitude will be from GND to VIN when the potential of VIN is applied to the VDD terminal.



Peripheral circuit including an external transistor

<Remarks>

FAQ No.: 11S8323002

Collection of Product FAQs

Author: Tachibana Midori

Date: 98/11/12 (Thursday) 10:17 (Modified:)

<Information level>

A: Public (Printing O.K.)

Index: B: Technical

<Product>

Division name: 01 IC

Category 1: 11 Power Supply

Category 2: 4. Switching Regulators

Cal No.: S-8323/24/27/28

Related documents:

Question:

How can we ensure high efficiency?

Answer:

Follow these instructions:

- Make sure the allowable current (maximum rating) of the used coil is greater than the peak current of the coil. (If the current exceeds the allowable value, efficiency decreases due to magnetic saturation.)
- Select an external diode with low VF characteristics and a short first-recovery time.
- The equivalent series resistance (ESR) of the output capacitor, Cout, significantly affects efficiency. Select a low ESR.
- In the external-switching transistor type (S-8322 S-8327/8), the ON resistance varies with the base resistance Rb (the resistance between the EXT terminal and the external transistor base), thereby affecting efficiency. (Efficiency decreases as Rb increases.) It should also be noted that the current consumption increases as the Rb value decreases, resulting in a decrease in efficiency.

<Remarks>

FAQ No.: 11S8323001