

## DS3654 Printer Solenoid Driver

### General Description

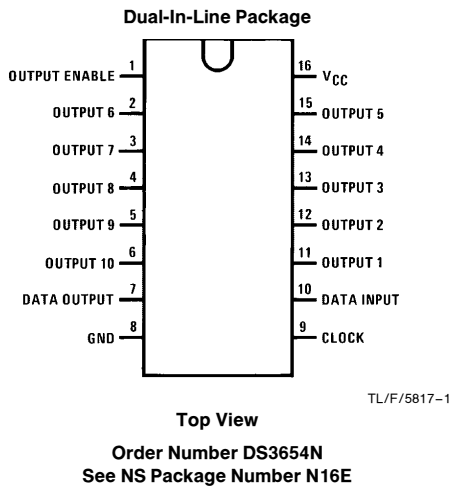
The DS3654 is a serial-to-parallel 10-bit shift register with a clock and data input, a data output from the tenth bit, and 10 open-collector clamped relay driver outputs suitable for driving printer solenoids.

Timing for the circuit is shown in *Figure 1*. Data input is sampled on the positive clock edge. Data output changes

on the negative clock edge, and is always active. Enable transfers data from the shift register to the open-collector outputs. Internal circuitry inhibits output enable for power supply voltage less than 6V.

Each output sinks 250 mA and is internally clamped to ground at 50V to dissipate energy stored in inductive loads.

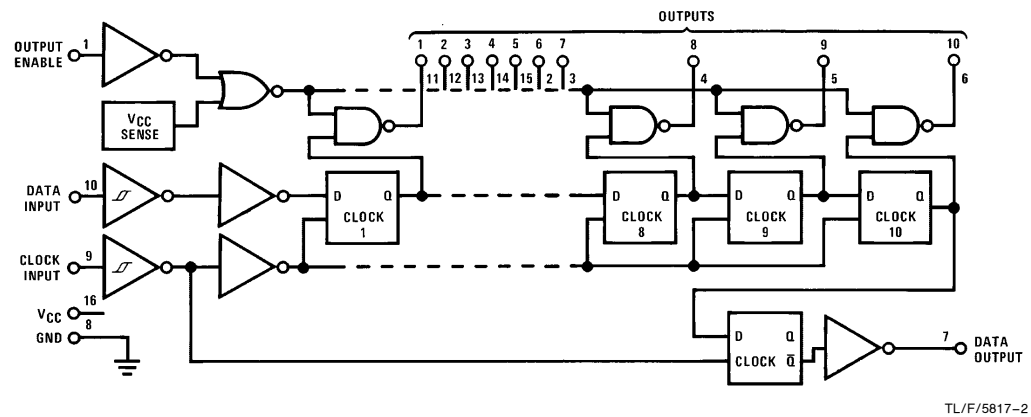
### Connection Diagram



### Pin Descriptions

Pin No.	Function
1	Output Enable
2	Output 6
3	Output 7
4	Output 8
5	Output 9
6	Output 10
7	Data Output
8	Ground
9	Clock Input
10	Data Input
11	Output 1
12	Output 2
13	Output 3
14	Output 4
15	Output 5
16	V <sub>CC</sub>

### Logic Diagram



## Absolute Maximum Ratings (Note 1)

If Military/Aerospace specified devices are required, please contact the National Semiconductor Sales Office/Distributors for availability and specifications.

Supply Voltage, $V_{CC}$	9.5V Max
Input Voltage	-0.5V Min. 9.5V Max
Output Supply, $V_{p-p}$	45V Max
Storage Temperature Range	-65°C to +150°C
Output Current (Single Output)	0.4A
Ground Current	4.0A
Peak Power Dissipation $t < 10$ ms, Duty Cycle $< 5\%$	4.5W Max

Maximum Power Dissipation* at 25°C Molded Package	1687 mW
Lead Temperature (Soldering, 4 seconds)	260°C
*Derate molded package 13.5 mW/°C above 25°C.	

## Operating Conditions

	Min	Max	Units
Supply Voltage ( $V_{CC}$ )	7.5	9.5	V
Temperature ( $T_A$ )	0	+70	°C
Output Supply ( $V_{p-p}$ )		40	V

## Electrical Characteristics (Notes 2, 3 and 4) $V_{p-p} = 30V$ unless otherwise noted

Parameter	Conditions	Min	Typ	Max	Units
Logical "1" Input Voltage		2.6			V
Logical "0" Input Voltage				0.8	V
Logical "1" Output Voltage Clamp	$I_{CLAMP} = 0.1A, V_{EN} = 0V$	45	50	65	V
Logical "1" Output Current	$V_{OH} = 40V, V_{EN} = 0V$			1.0	mA
Logical "0" Output Voltage	$I_{OL} = 250$ mA, $V_{EN} = 2.6V$			1.6	V
Logical "1" Input Current					
Clock	$T_A = 70^\circ C, V_{CL} = 2.6V$	0.2	0.33		mA
Enable	$T_A = 70^\circ C, V_{EN} = 2.6V$	0.2	0.33		mA
Data	$T_A = 70^\circ C, V_D = 2.6V$	0.3	0.57		mA
Clock	$T_A = 0^\circ C, V_{CL} = 2.6V$		0.33	0.5	mA
Enable	$T_A = 0^\circ C, V_{EN} = 2.6V$		0.33	0.5	mA
Data	$T_A = 0^\circ C, V_D = 2.6V$		0.57	0.75	mA
Logical "0" Input Current					
Clock	$T_A = 70^\circ C, V_{CL} = 1V$		125		$\mu A$
Enable	$T_A = 70^\circ C, V_{EN} = 1V$		125		$\mu A$
Data	$T_A = 70^\circ C, V_D = 1V$		220		$\mu A$
Input Pull-Down Resistance					
Clock	$T_A = 25^\circ C, V_{CL} < V_{CC}$		8		k $\Omega$
Enable	$T_A = 25^\circ C, V_{EN} < V_{CC}$		8		k $\Omega$
Data	$T_A = 25^\circ C, V_D < V_{CC}$		4.5		k $\Omega$
Supply Current ( $I_{CC}$ )					
Outputs Disabled	$T_A \geq 25^\circ C, V_{EN} = 0V, V_{DO} = 0V,$ $V_{CC} = 9.5V$		27	40	mA
Outputs Enabled	$T_A \geq 25^\circ C, V_{EN} = 2.6V, I_{OL} = 250$ mA Each Bit		55	70	mA
Data Output Low ( $V_{DOL}$ )	$V_D = 0V, I_{OL} = 0V$		0.01	0.5	V
Data Output High ( $V_{DOH}$ )	$V_D = 2.6V, I_{OH} = -0.75$ mA	2.6	3.4		V
Data Output Pull-Down Resistance	$V_D = 0V, V_{D0} = 1V$		14		k $\Omega$

**Note 1:** "Absolute Maximum Ratings" are those values beyond which the safety of the device cannot be guaranteed. They are not meant to imply that the devices should be operated at these limits. The tables of "Electrical Characteristics" provide conditions for actual device operation.

**Note 2:** Unless otherwise specified, min/max limits apply across the 0°C to +70°C temperature range and the 7.5V to 9.5V power supply range. All typical values given are for  $V_{CC} = 8.5V$  and  $T_A = 25^\circ C$ .

**Note 3:** All currents into device pins are positive; all currents out of device pins are negative. All voltages are referenced to ground unless otherwise specified.

**Note 4:** Only one output at a time should be shorted.

## Switching Characteristics 0°C to +70°C, T<sub>A</sub> = 25°C, nominal power supplies unless otherwise noted

Parameter	Conditions	Min	Typ	Max	Units
Clk, Data and Enable Inputs t <sub>FC</sub> t <sub>RC</sub> t <sub>CLK</sub> t <sub>CLK</sub> t <sub>HOLD</sub> t <sub>SET-UP</sub> t <sub>RE</sub> , t <sub>RD IN</sub> t <sub>FE</sub> , t <sub>FD IN</sub>	(Figure 1) t <sub>BIT</sub> ≥ 10 μs	2 3.5		2.0 2.0 1.0 1.0 1.0 5.0	μs μs μs μs μs μs μs μs
Output 1–10 t <sub>RO</sub> t <sub>FO</sub> t <sub>PDEH</sub> t <sub>PDEL</sub>	V <sub>p-p</sub> = 20V R <sub>L</sub> = 100Ω, C <sub>L</sub> < 100 pF R <sub>L</sub> = 100Ω, C <sub>L</sub> < 100 pF		1.2 1.2 3.5 3.0		μs μs μs μs
Data Output t <sub>PDH</sub> , t <sub>PDL</sub> t <sub>RD</sub> t <sub>FD</sub>	R <sub>L</sub> = 5 kΩ, C <sub>L</sub> ≤ 10 pF		0.8 0.4 0.4	2.5	μs μs μs
Clock to Enable Delay t <sub>CE</sub>		2 t <sub>BIT</sub>			μs
Enable to Clock Delay		t <sub>BIT</sub>			μs

## Switching Time Waveforms

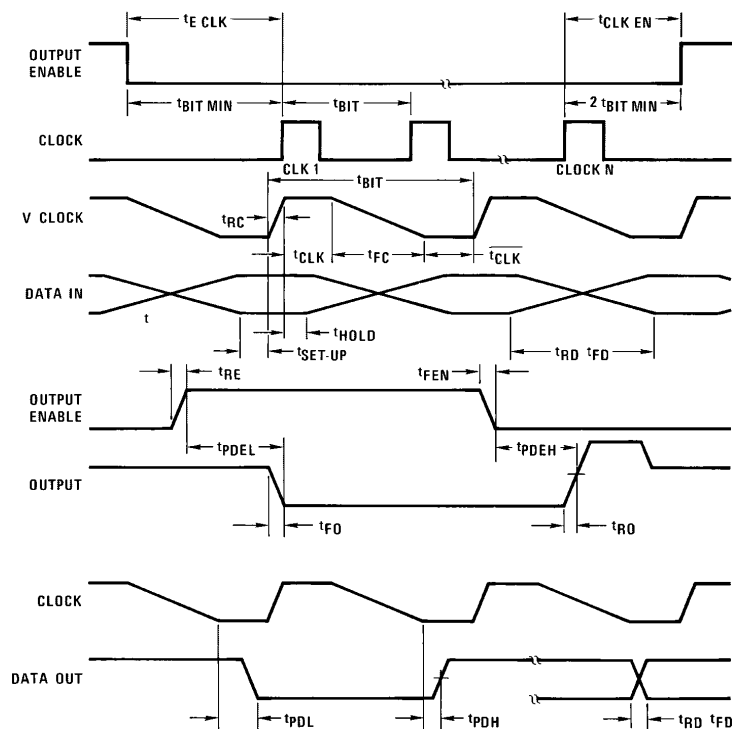


FIGURE 1. Shift Timing

TL/F/5817-3

### Definition of Terms

**V<sub>p-p</sub>**: Output power supply voltage. The return for open-collector relay driver outputs.

**t<sub>BIT</sub>**: Period of the incoming clock.

**V<sub>CLK</sub>**: The voltage at the clock input.

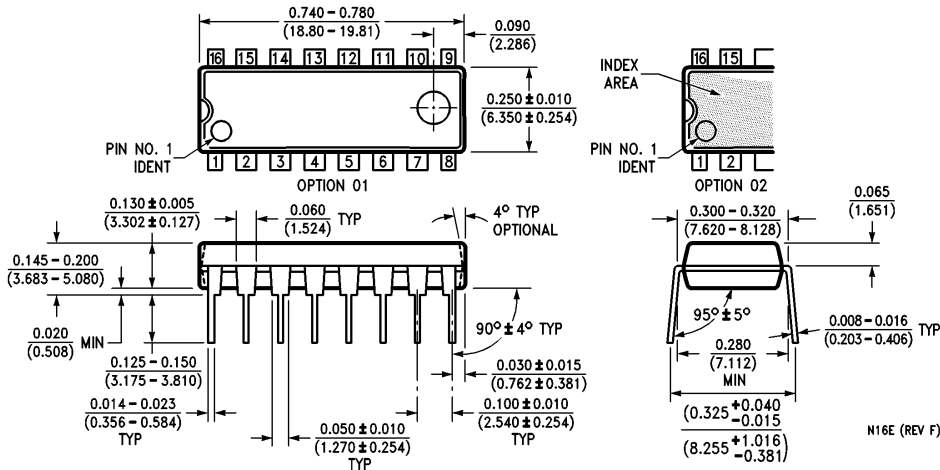
**t<sub>CLK</sub>**: The portion of t<sub>BIT</sub> when V<sub>CLK</sub> ≥ 2.6V

**t<sub>CLK</sub>**: The portion of t<sub>BIT</sub> when V<sub>CLK</sub> ≤ 0.8V

**t<sub>SET-UP</sub>**: The time prior to the end of t<sub>CLK</sub> required to insure valid data at the shift register input for subsequent clock transitions.

**t<sub>HOLD</sub>**: The time following the start of t<sub>CLK</sub> required to transfer data within the shift register.

### Physical Dimensions inches (millimeters)



**Molded Dual-In-Line Package (N)**  
**Order Number DS3654N**  
**NS Package Number N16E**

### LIFE SUPPORT POLICY

NATIONAL'S PRODUCTS ARE NOT AUTHORIZED FOR USE AS CRITICAL COMPONENTS IN LIFE SUPPORT DEVICES OR SYSTEMS WITHOUT THE EXPRESS WRITTEN APPROVAL OF THE PRESIDENT OF NATIONAL SEMICONDUCTOR CORPORATION. As used herein:

1. Life support devices or systems are devices or systems which, (a) are intended for surgical implant into the body, or (b) support or sustain life, and whose failure to perform, when properly used in accordance with instructions for use provided in the labeling, can be reasonably expected to result in a significant injury to the user.
2. A critical component is any component of a life support device or system whose failure to perform can be reasonably expected to cause the failure of the life support device or system, or to affect its safety or effectiveness.



**National Semiconductor Corporation**  
 1111 West Bardin Road  
 Arlington, TX 76017  
 Tel: 1(800) 272-9959  
 Fax: 1(800) 737-7018

**National Semiconductor Europe**  
 Fax: (+49) 0-180-530 85 86  
 Email: cnjwge@tevm2.nsc.com  
 Deutsch Tel: (+49) 0-180-530 85 85  
 English Tel: (+49) 0-180-532 78 32  
 Français Tel: (+49) 0-180-532 93 58  
 Italiano Tel: (+49) 0-180-534 16 80

**National Semiconductor Hong Kong Ltd.**  
 19th Floor, Straight Block,  
 Ocean Centre, 5 Canton Rd.  
 Tsimshatsui, Kowloon  
 Hong Kong  
 Tel: (852) 2737-1600  
 Fax: (852) 2736-9960

**National Semiconductor Japan Ltd.**  
 Tel: 81-043-299-2309  
 Fax: 81-043-299-2408

National does not assume any responsibility for use of any circuitry described, no circuit patent licenses are implied and National reserves the right at any time without notice to change said circuitry and specifications.