

Appliance inlet for low voltage, Snap-in Mounting, Front Side, Solder or Quick-connect Terminal



70° C



### Description

- Panel Mount:  
Snap-in version, Frontside
- Appliance Inlet, Pin temperature 70 °C, Protection class II, Solder or Quick-Connect

### References

[General Product Information](#)

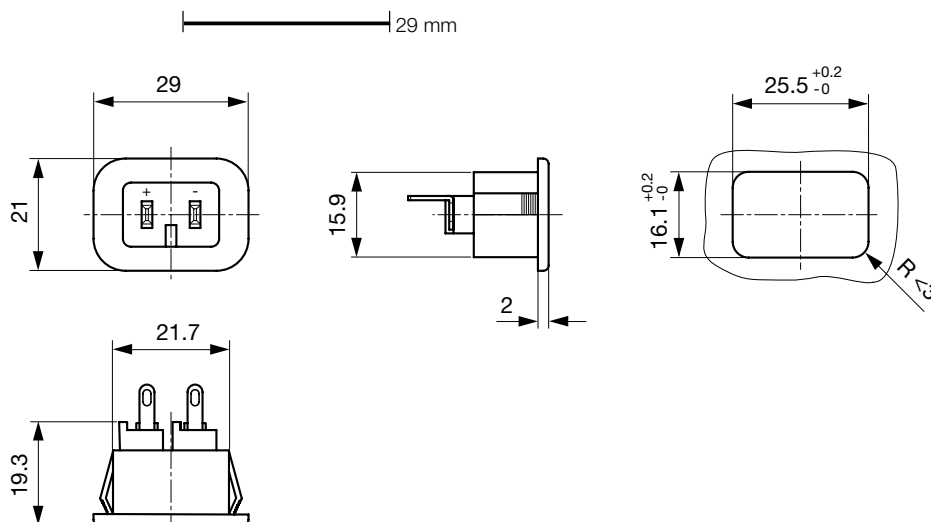
### Weblinks

[Approvals](#), [RoHS](#), [CHINA-RoHS](#), [Mating Connectors](#), [e-Store](#), [SCHURTER-Stock-Check](#), [Distributor-Stock-Check](#), [Product Configurator](#)

### Technical Data

Ratings IEC	7 A / 48VAC; 50Hz
Allowable Operation Temp.	-25 °C to 70 °C
Degree of Protection	from front side IP 20 acc. to IEC 60529
Protection Class	Suitable for appliances with protection class 2 acc. to IEC 61140
Panel Thickness s	Snap-in version 4 mm
Material: Housing	UL 94V-0

### Dimensions



length of the terminal please find at the order code configuration table

### Konfigurationsschlüssel

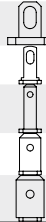
Product Configurator

1201-A - - A B C 0- D - E F

The characters are placeholders for the correspondingly keys of selections from the key tables.

#### 1201-A - - A B C 0- D - E F = Terminals

Terminal L	Configuration key
short solder terminal (L=4,8mm)	2
long solder terminal (L=8,5mm)	3
blade terminal (2,8x0,8mm)	7
blade terminal (4,8x0,8mm)	8
blade terminal (6,3x0,8mm)	9



#### 1201-A - - A B C 0- D - E F = Terminals

Terminal N	Configuration key
short solder terminal (L=4,8mm)	2
long solder terminal (L=8,5mm)	3
blade terminal (2,8x0,8mm)	7
blade terminal (4,8x0,8mm)	8
blade terminal (6,3x0,8mm)	9

Symbols similar as in table A

#### 1201-A - - A B C 0- D - E F = Terminals

Terminal Ground	Configuration key

Symbols similar as in table A

#### 1201-A - - A B C 0- D - E F = Color

Color	Configuration key
jet black; RAL9005	A
silver grey; RAL7001	B
pure white; RAL9010	D
standard color: black	

#### 1201-A - - A B C 0- D - E F = Style

Style	Configuration key
snap-in standard type	3

#### 1201-A - - A B C 0- D - E F = Orientation of Terminals

Orientation of Terminals	Configuration key
horizontal	A
vertical	B
vertical right	C

### Variants

[Distributor-Stock-Check](#) | [SCHURTER-Stock-Check](#) | [e-Store](#)

Description	Order Number
1201-A- -2200-A-3 A 1201-A, Special Connector Designs, 70°C, version: II, L: short solder terminal (L=4,8mm), N: short solder terminal (L=4,8mm), color: jet black; RAL9005, design: snap-in standard type, dimension X:	4311.0002

The listed variants should be available from stock. Other versions on request [www.schurter.com/contact](http://www.schurter.com/contact)

**Packaging unit** 100 Pcs

### Mating Outlets/Connectors

Category / Description



[Plug Overview complete](#)

Appliance Outlet, Cord Connector (Rewireable), Straight, for Low Voltage

1251

[Plug further types to 1201-A](#)