

Power For The New Technology

PS2396

Total Power	30 Watts
Input Voltage	90-277 VAC
Outputs	One

SPECIAL FEATURES

- Wide input voltage
- IEEE C62.41 category C (overvoltage class C environments)
- Hybrid surge suppression
- Line filters
- EN55022 Class B EMI
- Gas discharge tubes/spark gaps and MOV's
- CC Class dual fusing
- Designed for harsh environment
- - 40°C to +70°C operating temperature
- EN60950 and UL 1449 compliant
- Water tight connectors and enclosure

ENVIRONMENTAL

Ambient Operating Temperature: - 40°C to +70°C continuous duty, full rating.

Humidity: 5 to 100% non-condensing

Temperature coefficient: $\pm 0.01\%$ / °C

Storage Temperature: - 50° to +85°C

Cooling: Convection cooled



ELECTRICAL SPECIFICATIONS

Input

Input.....90 -277 VAC; 50-60Hz ± 3 Hz

Isolation.....4242VDC (Input to Output)

Susceptibility specifications:

Complies with EN55022 & FCC Class B with minimum 6 dB margin

Efficiency.....> 70% typical at full load

Output

DC Output.....Maximum continuous output power 30 Watts. See Voltage/Current Rating Chart.

Line / Load Regulation.....<1% typical

Ripple and Noise.....<100 mV (P-P)

Transient Response.....2% Maximum deviation;

MECHANICAL

6.75" L X 2.25" H X 4.76" W (171.4mm X 57.1mm X 120.6mm)

NEMA 4 Aluminum Alloy enclosure



Rev 2

Power For The New Technology

Output

Over voltage protection 130% (Hiccup)
Over current protection 130% (Hiccup)

Over temperature protection reset with hysteresis

Short Circuit Protection.....Will withstand a continuous short without damage.

Minimum Load Rqmt.....None

No Load Operation.....No damage to supply when operating at no load.

Hold-Up Time.....10 mSec typical

Voltage/Current Rating Chart

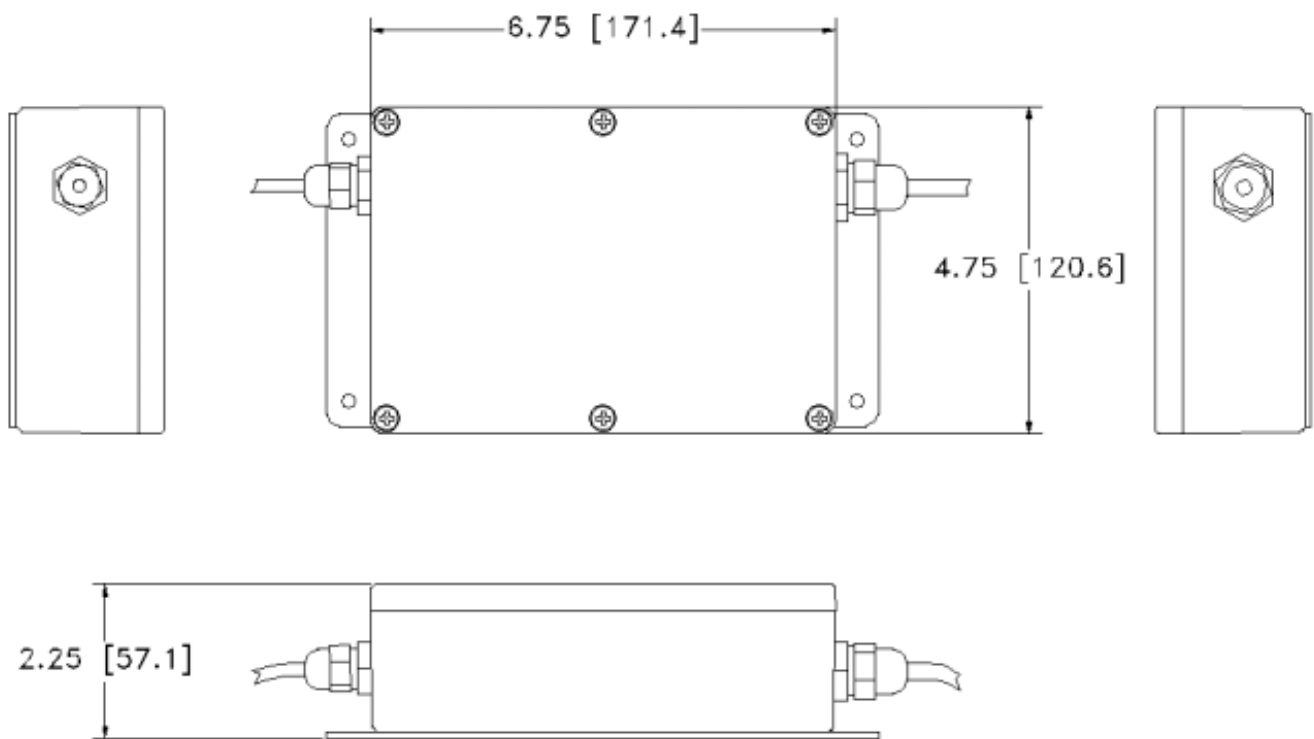
Voltage	Current Minimum	Current Maximum
24V	0A	1.25A

PIN assignment on PCB

	PIN #	Function
Input	P1:1 P1:3 Chassis stud	Neutral Line GND
Output	P2:1 P2:2	24V RTN



Power For The New Technology



Rev 2