

PS12/24ADA Signaling Strobe and Sounder



A Division of Pittway
3825 Ohio Avenue, St. Charles, IL 60174
1-800-SENSOR2 (736-7672), Fax 630-377-6495
<http://www.systemsensor.com>



Models Available

PS2415ADA
PS241575ADA
PS2475ADA
PS24110ADA
PS1215ADA
PS121575ADA

Features

- Low combined strobe/horn current draw from 90 mA
- New "Euro-Style" appearance
- Easily fits into single gang backbox
- Fits double gang backbox with optional semi-flush plate
- Multiple Light intensities
 - 24 VDC: 15, 15/75, 75 or 110 cd models
 - 12 VDC: 15 or 15/75 cd models
- Available in Red or White
- No measurable in-rush in excess of peak current
- Wall mount only

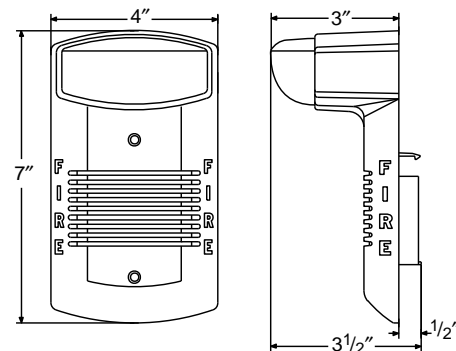
System Sensor PS12/24ADA Series integrated sounder/strobes comply with the **Americans with Disabilities Act (ADA)** and the demanding requirements of the new **Standard UL 1971 for the Hearing Impaired**. The 15/75 version is UL 1971 listed at 15 cd.

To insure compliance with ADA and UL 1971, use the System Sensor 75 candela models for non-sleeping areas, and 110 candela models for sleeping areas. Available in red or white at 12 or 24 VDC, the PS12/24ADA series of signaling strobes can be mounted directly to a standard 2" backbox or 4" backbox with the optional semi-flush plate.

Specifications

Input terminals:	18 - 12 AWG
Shipping Weight:	
PS12/24ADA	
Series Strobes:	13 oz. (369g)
Operating	
Temperature Range:	32°F to 120°F (0°C to 49°C)
Mounting:	
Surface:	2" × 4" × 1 1/4" standard single gang box
Semi-flush:	2" × 4" × 1 1/2" standard single gang box

Dimensions:



General Description

All PS12/24ADA Series integrated sounder/strobes are suitable for primary signaling in public mode life safety applications. The sounder/strobes can be connected to the alarm indicating circuit of a UL listed fire alarm control panel. They are compatible with DC line supervision. Panels may have full-wave rectified, unfiltered power supplies. The sounder/strobes are available for either 24VDC operation, with 15, 15/75, 75, or 110 cd light

intensity, or for 12VDC operation with 15 or 15/75 cd light intensity. They feature low current draw with no measurable in-rush in excess of peak current. The sounder/strobe is intended for wall mounting only to a 2" electrical backbox. Mounting to a 4" square electrical backbox can be done with the addition of the PS-FP accessory mounting plate.

Electrical Ratings – Strobe/Mini Horn

Model		Supply	Peak Operating Current	In-rush Current in Excess of Peak Operating Current (mA)	Average Operating Current from Regulated Supply (mA)	Average Operating Current from Full Wave Rectified, Unfiltered Supply (mA Arms)*
Red	White	Voltage Range	(mA)			
PS2415ADA	PS2415ADAW	20-30VDC	180	0	90	105
PS241575ADA	PS241575ADAW	20-30VDC	220	0	108	135
PS2475ADA	PS2475ADAW	20-30VDC	400	0	185	215
PS24110ADA	PS24110ADAW	20-30VDC	500	0	225	260
PS1215ADA	PS1215ADAW	10.5-17VDC	380	0	185	212
PS121575ADA	PS121575ADAW	10.5-17VDC	560	0	240	285

* For additional information, see installation manual D900-08-00.
 Actual 12 volt operating voltage cannot be less than 8.5 VDC or greater than 18.7 VDC; actual 24 volt operating voltage cannot be less than 16 VDC or greater than 33 VDC.

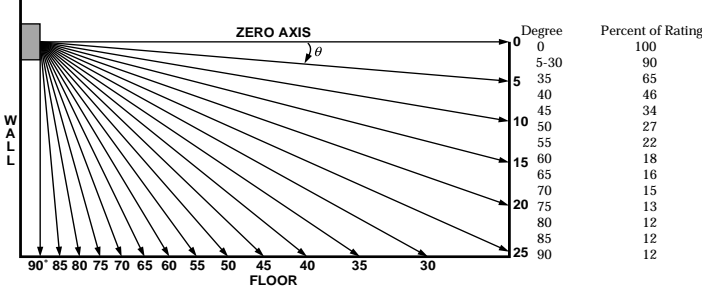
Engineering Specifications

Sounder/Strobe shall be a System Sensor Model _____ listed to *Standard UL 1971 for the Hearing Impaired* and shall be approved for Fire Protective Service. Sounder/Strobe shall be wired as a Primary Signaling Notification appliance. Sounder/strobe shall also comply with the Americans with Disabilities Act requirements for visible signaling appliances. Sounder/Strobe shall operate on 12 or 24VDC from a regulated DC supply or full-wave rectified, unfiltered supply. The sounder/strobe shall be powered from a non-coded power supply. Sounder/Strobe

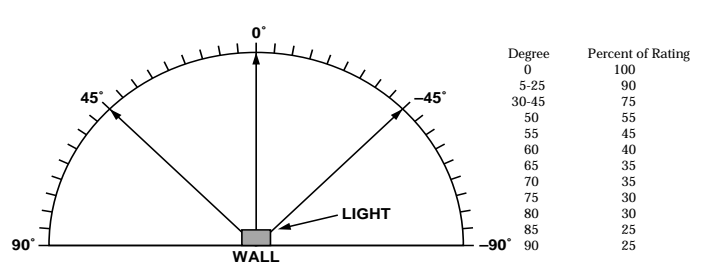
shall have no measurable in-rush current in excess of operating peak current. Visual signaling devices are to be installed in all non-sleeping/corridor and sleeping areas per plans and specifications. The strobe light shall consist of a xenon flash tube and associated lens/reflector system. All sounder/strobes shall be capable of semi-flush wall mounting to a standard 2" x 4" x 1 1/2" backbox, without a separate mounting plate or to a 4" x 4" x 1 1/2" backbox with a separate mounting plate.

Standard Light Distribution

Vertical Dispersion

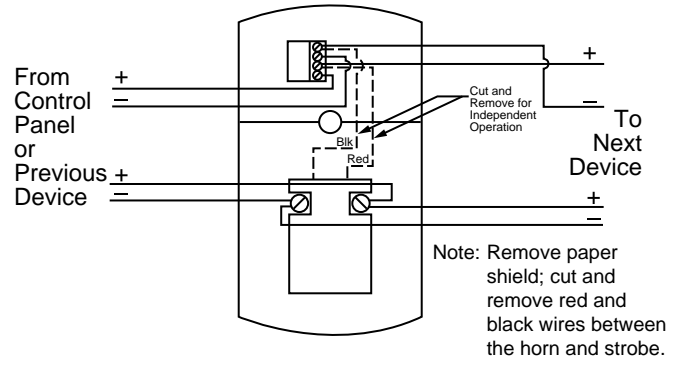
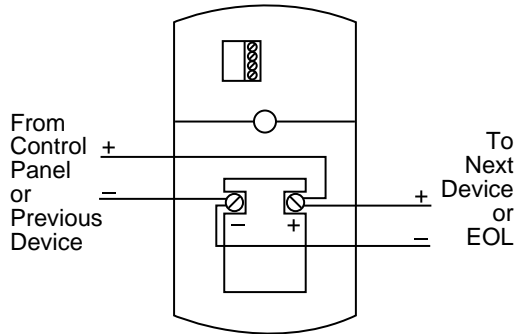


Horizontal Dispersion

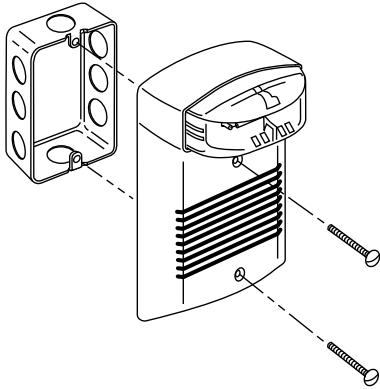


A polar light distribution in both horizontal and vertical directions is mandated for the strobes by the *Standard UL 1971 for the Hearing Impaired*, with specific minimum intensity percentages as shown in the graphs above. With its specially designed lens/reflector system, the PS12/24ADA Strobe Retrofit Plate Series meets or exceeds these requirements at all angles.

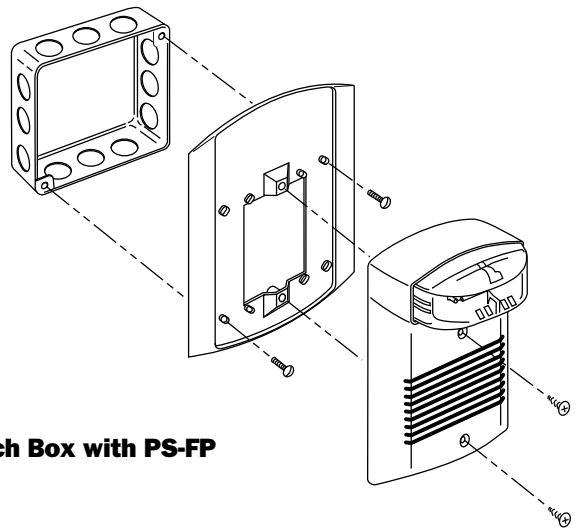
Wiring



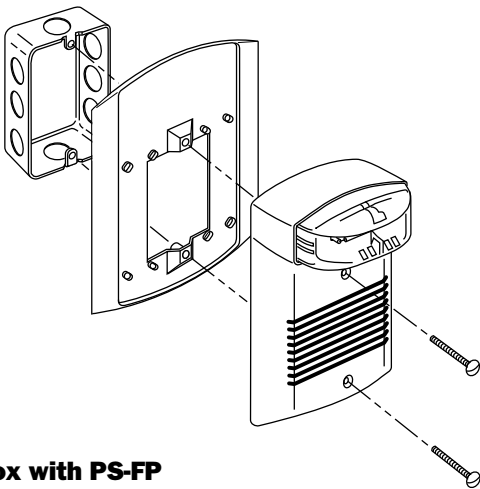
Mounting



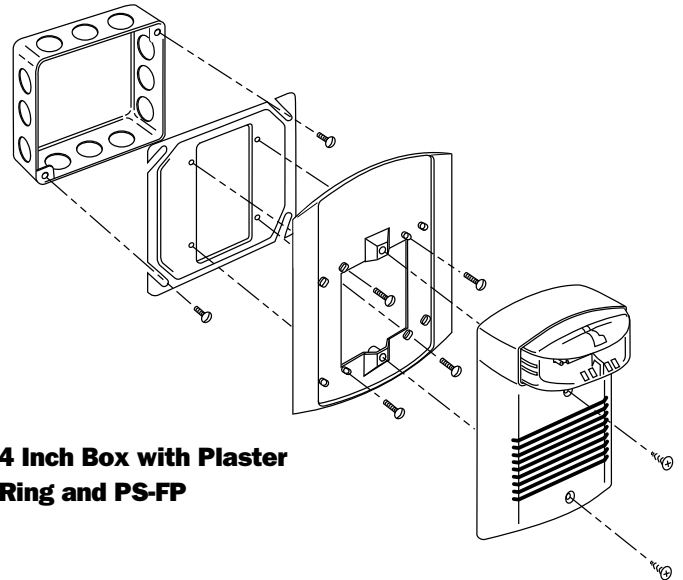
**Sounder/Strobe
2 Inch Box**



4 Inch Box with PS-FP



2 Inch Box with PS-FP



**4 Inch Box with Plaster
Ring and PS-FP**

Ordering Information

Signaling Strobe – UL 1971 Compliant

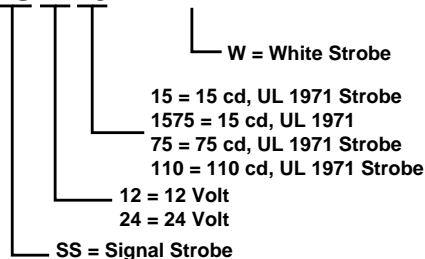
Red	White	Product	Operating Voltage	Strobe and Sounder Current Combined (Average mA)	Candela	Peak (dBA)*
PS2415ADA	PS2415ADAW	Signaling Strobe/Sounder	24 VDC	90	15	90 dBA
PS241575ADA	PS241575ADAW	Signaling Strobe/Sounder	24 VDC	108	15/75**	90 dBA
PS2475ADA	PS2475ADAW	Signaling Strobe/Sounder	24 VDC	185	75	90 dBA
PS24110ADA	PS24110ADAW	Signaling Strobe/Sounder	24 VDC	225	110	90 dBA
PS1215ADA	PS1215ADAW	Signaling Strobe/Sounder	12 VDC	185	15	83 dBA
PS121575ADA	PS121575ADAW	Signaling Strobe/Sounder	12 VDC	240	15/75**	83 dBA
PS-FP	PS-FPW	Semi-Flush Mounting Plate				

*dBA measured in anechoic room at 10 feet.

**Measured to be 75 cd at 0° viewing angle (See Light Distribution Graph).

How to Order

PS1215ADAW



SS = Signal Strobe

PS = Mini-Alert Sounder/Strobe

RP = Retrofit Plate

MASS = Multi-Alert Sounder/Strobe

MAEH = Multi-Alert Sounder/Strobe with Electromechanical Tone

V4R = 400 Series Speaker, Red

SP1R = SP101 Series Speaker (Strobe), Red

SP1W = SP101 Series Speaker (Strobe), White

System Sensor Worldwide Distribution

In Canada:

System Sensor Canada
6581 Kitimat Road, Unit #7
Mississauga, Ontario
Canada L5N 3T5
Telephone: 905-812-0767
Fax: 905-812-0771

In the United Kingdom:

System Sensor Europe, Ltd.
Horsham Gates III, North St.
Horsham, West Sussex
RH13 5PJ, United Kingdom
Telephone: 44-1403-276500
Fax: 44-1403-276501

In India:

System Sensor India
A-204 Maheshwari Nagar
Orkay Mills Lane
Andheri East, Mumbai 400093
Telefax: 91-022-8202564

In the Far East:

System Sensor
Pittway Far East, Ltd.
Suite 706, World Shipping Centre
7 Canton Road
Tsimshatsui, Kowloon, Hong Kong
Telephone: 852-2730-9090
Fax: 852-2736-6580