

# GaAs Transfer Switch DC - 3 GHz

## SW-283

V3.00

### Features

- Small Ceramic Package, 0.250" Sq
- Fast Switching Speed, 4 ns Typical
- Ultra Low DC Power Consumption

### Guaranteed Specifications\* (From -55°C to +85°C)

Frequency Range	DC - 3 GHz	
<b>Insertion Loss</b>	DC-3 GHz	2.1 dB Max
	DC-2 GHz	1.8 dB Max
	DC-1 GHz	1.3 dB Max
	DC-0.5 GHz	1.0 dB Max
<b>VSWR</b>	DC-3 GHz	1.9:1 Max
	DC-2 GHz	1.7:1 Max
	DC-1 GHz	1.3:1 Max
	DC-0.5 GHz	1.25:1 Max
<b>Isolation</b>	DC-3 GHz	20 dB Min
	DC-2 GHz	25 dB Min
	DC-1 GHz	40 dB Min
	DC-0.5 GHz	45 dB Min

### Operating Characteristics

www.DataSheet4U.com

**Impedance** 50 Ohms Nominal

#### Switching Characteristics†

$t_{rise}, t_{fall}$ (10/90% or 90/10% RF)	2 ns Typ
$t_{on}, t_{off}$ (50% control to 90/10% RF)	4 ns Typ
Transients (In-Band)	30 mV Typ

#### Input Power for 1 dB Compression

Control Voltages (Vdc)	0/-5	0/-8	
0.5-3 GHz	+27	+33	dBm Typ
0.05 GHz	+21	+26	dBm Typ

#### Intermodulation Intercept Point

(for two-tone input power up to +5 dBm)

Intercept Points	IP <sub>2</sub>	IP <sub>3</sub>	
0.5-3 GHz	+68	+50	dBm Typ
0.05 GHz	+62	+45	dBm Typ

#### Control Voltages (Complementary Logic)

V <sub>IN</sub> Low	0 to -0.2V @ 5 μA Max
V <sub>IN</sub> Hi	-5V @ 10 μA Typ to -8V @ 200 μA Max

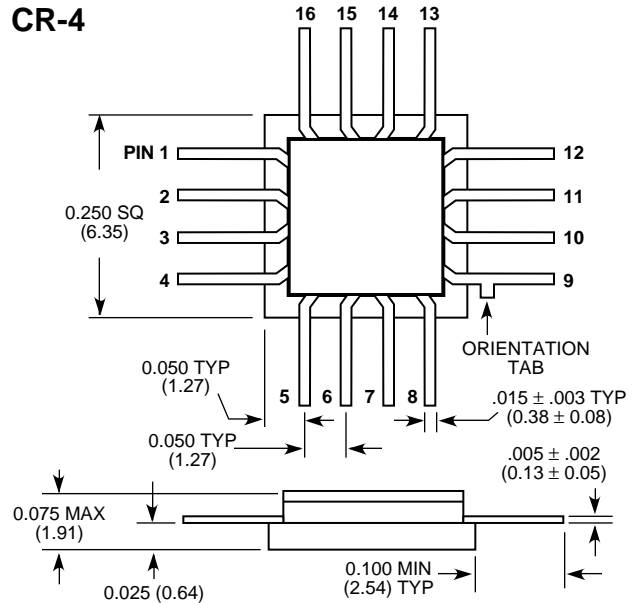
#### Environmental

MIL-STD-883 screening available.

\* All specifications apply with 50 ohm impedance connected to all RF ports with 0 and -5 Vdc control voltages.

† Faster switching speed can be achieved with enhanced driver waveform.

### CR-4



Bottom of case is AC ground.

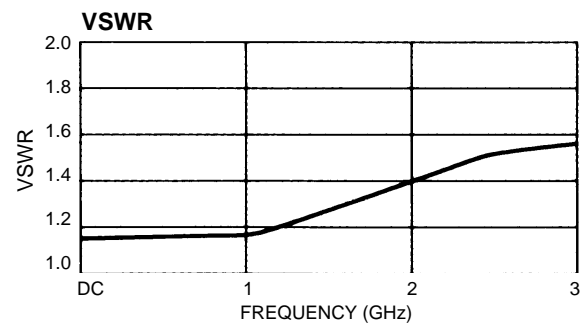
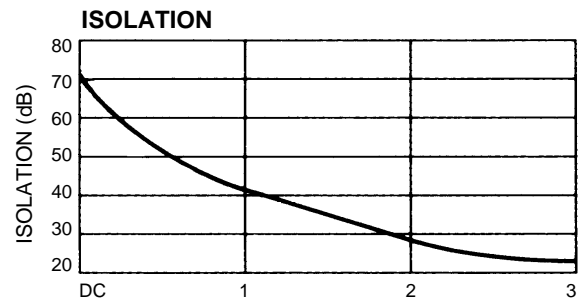
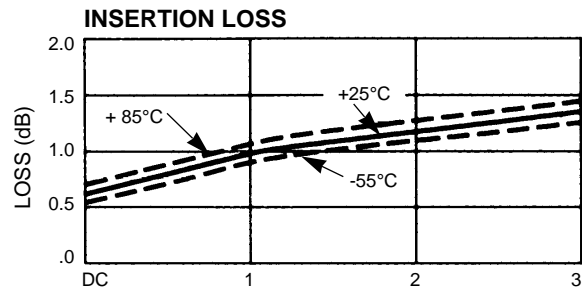
Dimensions in ( ) are in mm.

Unless Otherwise Noted: .xxx = ±0.010 (.xx = ±0.25)  
.xx = ±0.02 (.x = ±0.5)

### Ordering Information

Model No.	Package
SW-283 PIN	Ceramic

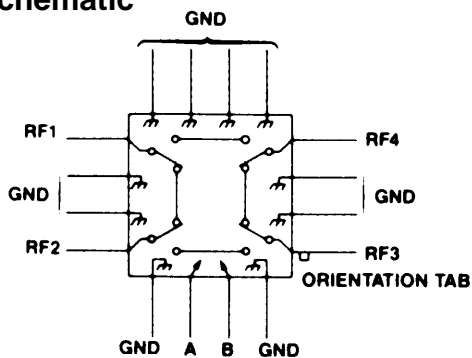
Typical Performance



Truth Table

Control Input		Condition of Switch			
A	B	RF1-RF2	RF2-RF3	RF1-RF4	RF3-RF4
Hi	Low	OFF	ON	ON	OFF
Low	Hi	ON	OFF	OFF	ON

Schematic



Specifications Subject to Change Without Notice.