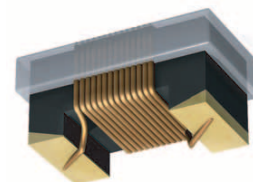
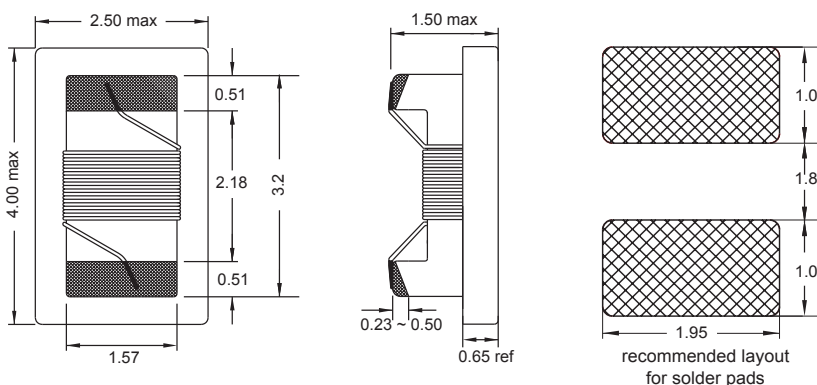


# 1206 F

Engineer's Kit : EK-1206F-X



Part No	Inductance L (μH)	f <sub>L</sub> (MHz)	Tol ± (%)	Q min	f <sub>Q</sub> (MHz)	SRF min (MHz)	DCR max (Ω)	Rated DC Current max (mA)
1206F-1R5X-01	1.5	7.9	5,10	25	7.9	240	1.2	320
1206F-1R8X-01	1.8	7.9	5,10	25	7.9	200	1.2	320
1206F-2R2X-01	2.2	7.9	5,10	25	7.9	200	1.3	300
1206F-2R7X-01	2.7	7.9	5,10	25	7.9	190	1.4	300
1206F-3R3X-01	3.3	7.9	5,10	25	7.9	160	1.5	280
1206F-3R9X-01	3.9	7.9	5,10	25	7.9	160	1.9	280
1206F-4R7X-01	4.7	7.9	5,10	25	7.9	140	2.2	280
1206F-5R6X-01	5.6	7.9	5,10	25	7.9	120	2.4	260
1206F-6R8X-01	6.8	7.9	5,10	25	7.9	110	2.8	240
1206F-8R2X-01	8.2	7.9	5,10	25	7.9	100	3.1	220
1206F-100X-01	10	7.9	5,10	25	7.9	100	4	200
1206F-120X-01	12	2.5	5,10	18	2.5	90	4.6	200
1206F-150X-01	15	2.5	5,10	16	2.5	75	8.2	160
1206F-180X-01	18	2.5	5,10	16	2.5	75	9	130
1206F-470X-01	47	2.5	5,10	18	2.5	25	11.1	80
1206F-101X-01	100	2.5	5,10	18	2.5	23	23.5	80

**Material :** Ferrite

**SPQ :** Reel 2000 [-01]

**Remarks:** - For not listed inductance values please check availability with us.  
- 2% available on request.

All dimensions in mm

Chip Inductors (wire wound - open)