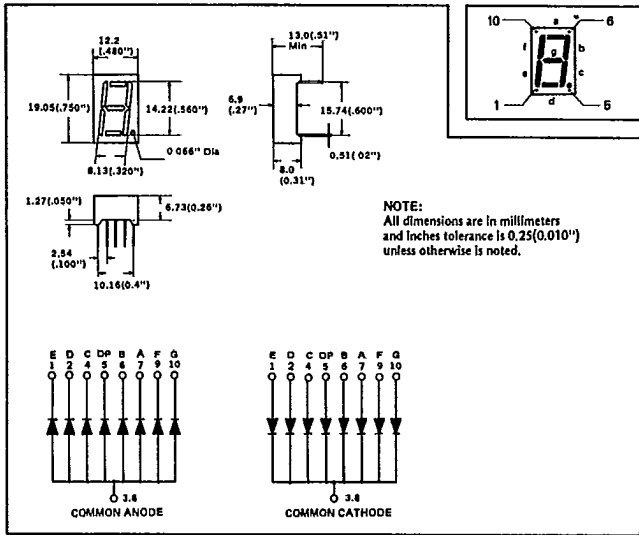


NUMERICAL DISPLAY 1 DIGIT SERIES 0.56"

Draw No.	Type No.		Radiation Color & Material	Ta = 25°C Absolute Maximum Ratings					Ta = 25°C Electro-Optical Characteristic					
	Com. Anode	Com. Cathode		VR	IF	IFP	PD	TOPR.	IF	VF typ.	VF max.	VF min.	IR max.	λP typ.
				V	mA	mA	mW	°C	mA	V	V	V	μA	nm
S-10	BS-A511RD	BS-C511RD	Red	5	25	55	400	-25~+80	20	1.7	2.0	1.5	100	655
	BS-A512RD	BS-C512RD	Green	5	20	50	416	-25~+80	10	2.2	2.6	1.5	100	555
	BS-A513RD	BS-C513RD	Yellow	5	20	50	416	-25~+80	10	2.1	2.6	1.5	100	585
	BS-A514RD	BS-C514RD	Orange	5	20	50	416	-25~+80	10	2.1	2.6	1.5	100	635
	BS-A515RD	BS-C515RD	Hi Red	5	20	50	416	-25~+80	10	2.1	2.6	1.5	100	700
	BS-A516RD	BS-C516RD	Supper Red	5	25	55	400	-25~+80	20	1.8	2.1	1.5	100	660

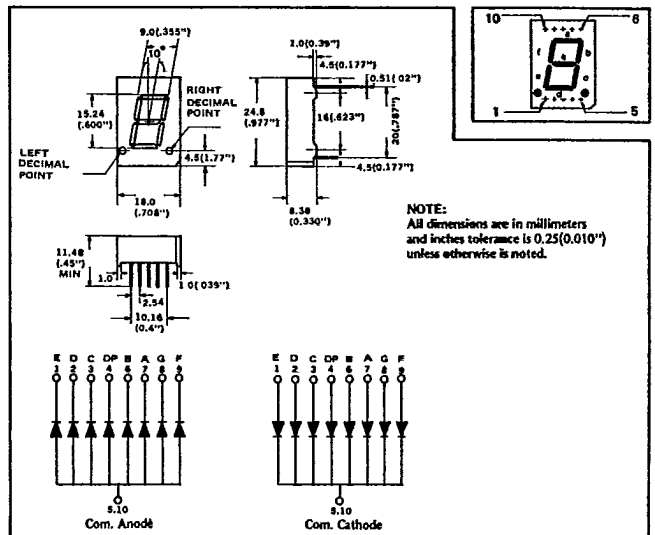
S-10 PACKAGE DIMENSIONS & PIN FUNCTION



NUMERICAL DISPLAY 1 DIGIT SERIES 0.6"

Draw No.	Type No.		Radiation Color & Material	Ta = 25°C Absolute Maximum Ratings					Ta = 25°C Electro-Optical Characteristic					
	Com. Anode	Com. Cathode		VR	IF	IFP	PD	TOPR.	IF	VF typ.	VF max.	VF min.	IR max.	λP typ.
				V	mA	mA	mW	°C	mA	V	V	V	μA	nm
S-11	BS-A601RD	BS-C601RD	Red	5	25	55	400	-25~+80	20	1.7	2.0	1.5	100	655
	BS-A602RD	BS-C602RD	Green	5	20	50	416	-25~+80	10	2.2	2.6	1.5	100	555
	BS-A603RD	BS-C603RD	Yellow	5	20	50	416	-25~+80	10	2.1	2.6	1.5	100	585
	BS-A604RD	BS-C604RD	Orange	5	20	50	416	-25~+80	10	2.1	2.6	1.5	100	635
	BS-A605RD	BS-C605RD	Hi Red	5	20	50	416	-25~+80	10	2.1	2.6	1.5	100	700
	BS-A606RD	BS-C606RD	Supper Red	5	25	55	400	-25~+80	20	1.8	2.1	1.5	100	660

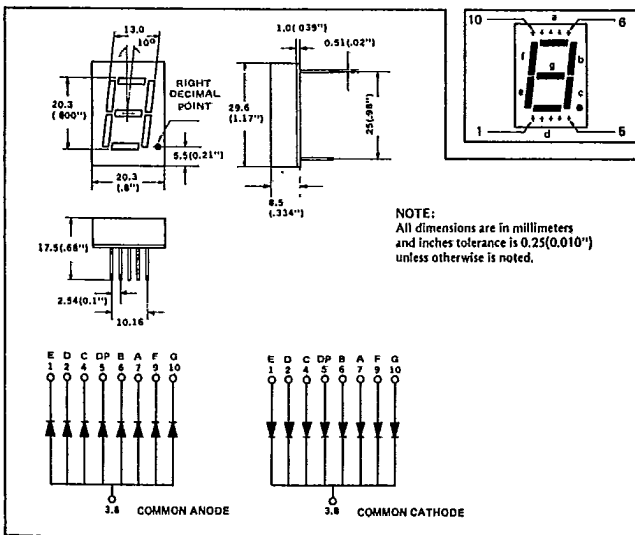
S-11 PACKAGE DIMENSIONS & PIN FUNCTION



NUMERICAL DISPLAY 1 DIGIT SERIES 0.8"

Draw No.	Type No.		Radiation Color & Material	Ta = 25°C Absolute Maximum Ratings					Ta = 25°C Electro-Optical Characteristic					
	Com. Anode	Com. Cathode		VR	IF	IFP	PD	TOPR.	IF	VF typ.	VF max.	VF min.	IR max.	λP typ.
				V	mA	mA	mW	°C	mA	V	V	V	μA	nm
S-12	BS-A801RB	BS-C801RB	Red	5	25	55	400	-25~+80	20	1.7	2.0	1.5	100	655
	BS-A802RB	BS-C802RB	Green	5	20	50	416	-25~+80	10	2.2	2.6	1.5	100	555
	BS-A803RB	BS-C803RB	Yellow	5	20	50	416	-25~+80	10	2.1	2.6	1.5	100	585
	BS-A804RB	BS-C804RB	Orange	5	20	50	416	-25~+80	10	2.1	2.6	1.5	100	635
	BS-A805RB	BS-C805RB	Hi Red	5	20	55	416	-25~+80	10	2.1	2.6	1.5	100	700
	BS-A806RB	BS-C806RB	Supper Red	5	25	50	400	-25~+80	20	1.8	2.1	1.5	100	660

S-12 PACKAGE DIMENSIONS & PIN FUNCTION



NUMERICAL DISPLAY 1 DIGIT SERIES 0.8"

Draw No.	Type No.		Radiation Color & Material	Ta = 25°C Absolute Maximum Ratings					Ta = 25°C Electro-Optical Characteristic					
	Com. Anode	Com. Cathode		VR	IF	IFP	PD	TOPR.	IF	VF typ.	VF max.	VF min.	IR max.	λP typ.
				V	mA	mA	mW	°C	mA	V	V	V	μA	nm
S-13	BS-A811RD	BS-C811RD	Red	5	25	55	400	-25~+80	20	1.7	2.0	1.5	100	655
	BS-A812RD	BS-C812RD	Green	5	20	50	416	-25~+80	10	2.2	2.6	1.5	100	555
	BS-A813RD	BS-C813RD	Yellow	5	20	50	416	-25~+80	10	2.1	2.6	1.5	100	585
	BS-A814RD	BS-C814RD	Orange	5	20	50	416	-25~+80	10	2.1	2.6	1.5	100	635
	BS-A815RD	BS-C815RD	Hi Red	5	20	50	416	-25~+80	10	2.1	2.6	1.5	100	700
	BS-A816RD	BS-C816RD	Supper Red	5	25	55	400	-25~+80	20	1.8	2.1	1.5	100	660

S-13 PACKAGE DIMENSIONS & PIN FUNCTION

