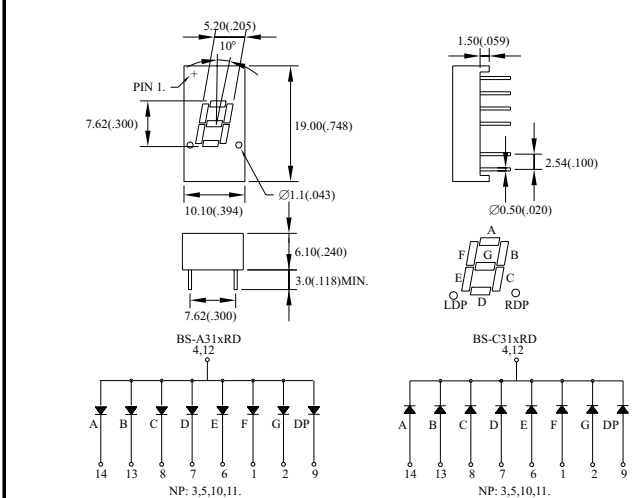
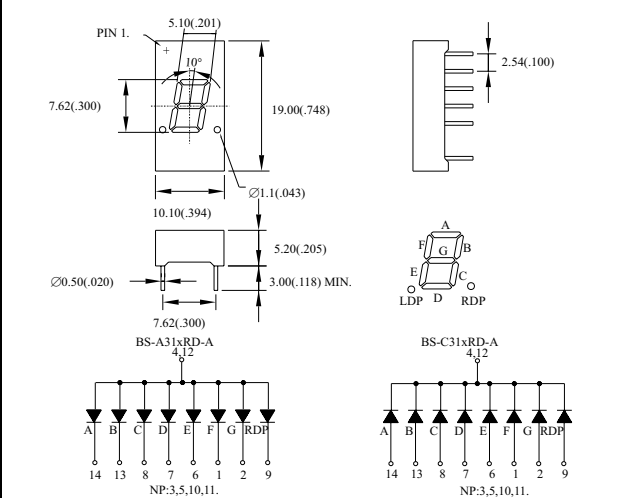
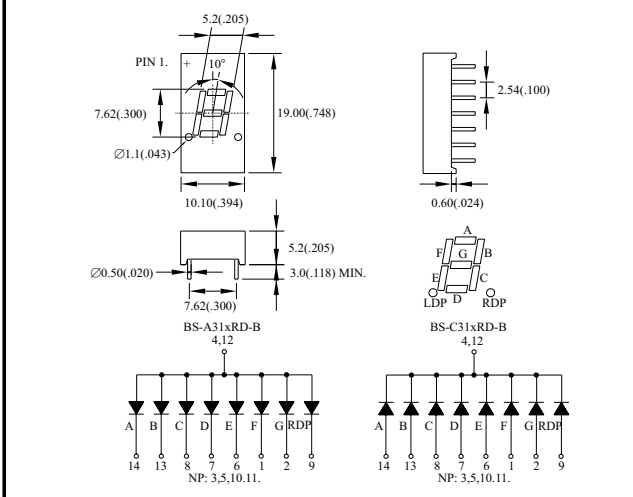
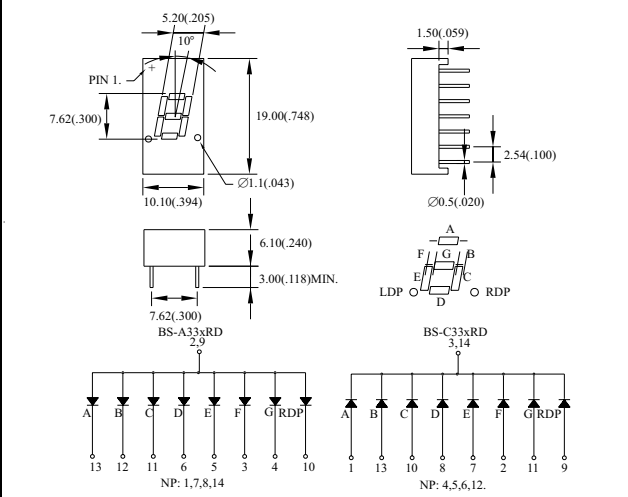
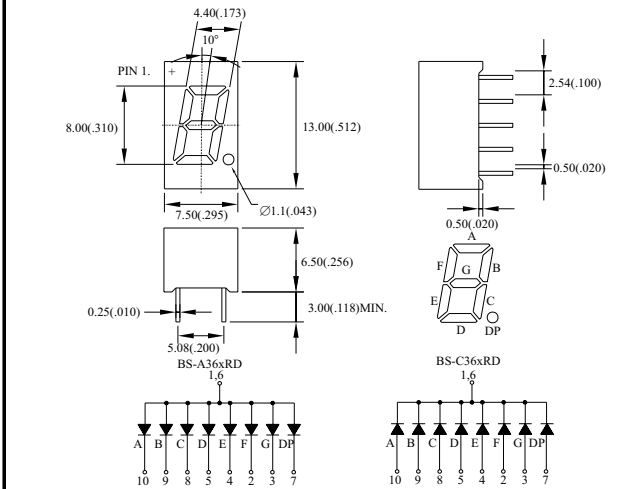
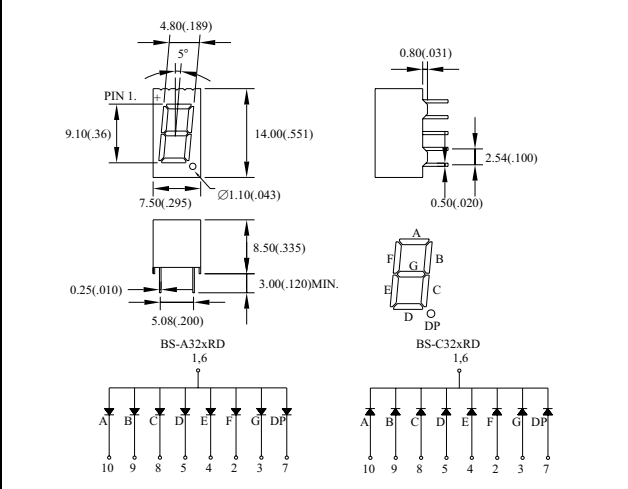




SINGLE DIGIT LED DISPLAYS

Digit Size	Part No.		Chip		Absolute Maximum Ratings				Electro-optical Data(At 10mA)			Drawing No.		
	Common Anode	Common Cathode	Material/Emitted Color	Peak Wave Length λ_p (nm)	$\Delta \lambda$ (nm)	Pd (mw)	If (mA)	I _{fp} (mA)	V _f (v)		Iv. Typ. Per.Seg. (mcd)			
									Typ.	Max.				
0.30" Single-Digit	BS-A311RD	BS-C311RD	GaAsP/Red	655	40	80	40	200	1.7	2.0	0.6	SD-07		
	BS-A315RD	BS-C315RD	GaP/ Bright Red	700	90	40	15	50	2.2	2.5	1.2			
	BS-A315RE	BS-C315RE		700	90	40	15	50	2.2	2.5	1.2			
	BS-A312RD	BS-C312RD	GaP/ Green	568	30	80	30	150	2.2	2.5	3.0			
	BS-A313RD	BS-C313RD	GaAsP/GaP/ Yellow	585	35	80	30	150	2.1	2.5	2.0			
	BS-A314RD	BS-C314RD	GaAsP/GaP/ Hi-Eff.Red	635	45	80	30	150	2.0	2.5	3.0			
			GaAsP/GaP/ Orange											
	BS-A316RD	BS-C316RD	GaAlAs/ SH Super Red	660	20	80	30	150	1.7	2.5	6.0			
	BS-A31DRD	BS-C31DRD	GaAlAs/ DH Super Red	660	20	80	30	150	1.7	2.5	7.0			
	0.30" Single-Digit	BS-A311RD-A	BS-C311RD-A	GaAsP/Red	655	40	80	40	200	1.7	2.0	0.6	SD-08	
		BS-A315RD-A	BS-C315RD-A	GaP/ Bright Red	700	90	40	15	50	2.2	2.5	1.2		
		BS-A315RE-A	BS-C315RE-A		700	90	40	15	50	2.2	2.5	1.2		
		BS-A312RD-A	BS-C312RD-A	GaP/ Green	568	30	80	30	150	2.2	2.5	3.0		
		BS-A313RD-A	BS-C313RD-A	GaAsP/GaP/ Yellow	585	35	80	30	150	2.1	2.5	2.0		
		BS-A314RD-A	BS-C314RD-A	GaAsP/GaP/ Hi-Eff.Red	635	45	80	30	150	2.0	2.5	3.0		
				GaAsP/GaP/ Orange										
		BS-A316RD-A	BS-C316RD-A	GaAlAs/ SH Super Red	660	20	80	30	150	1.7	2.5	6.0		
		BS-A31DRD-A	BS-C31DRD-A	GaAlAs/ DH Super Red	660	20	80	30	150	1.7	2.5	7.0		
		0.30" Single-Digit	BS-A311RD-B	BS-C311RD-B	GaAsP/Red	655	40	80	40	200	1.7	2.0	0.6	SD-09
			BS-A315RD-B	BS-C315RD-B	GaP/ Bright Red	700	90	40	15	50	2.2	2.5	1.2	
			BS-A315RE-B	BS-C315RE-B		700	90	40	15	50	2.2	2.5	1.2	
	BS-A312RD-B		BS-C312RD-B	GaP/ Green	568	30	80	30	150	2.2	2.5	3.0		
	BS-A313RD-B		BS-C313RD-B	GaAsP/GaP/ Yellow	585	35	80	30	150	2.1	2.5	2.0		
	BS-A314RD-B		BS-C314RD-B	GaAsP/GaP/ Hi-Eff.Red	635	45	80	30	150	2.0	2.5	3.0		
				GaAsP/GaP/ Orange										
	BS-A316RD-B		BS-C316RD-B	GaAlAs/ SH Super Red	660	20	60	30	150	1.7	2.5	6.0		
	BS-A31DRD-B	BS-C31DRD-B	GaAlAs/ DH Super Red	660	20	60	30	150	1.7	2.5	7.0			
	0.30" Single-Digit	BS-A331RD	BS-C331RD	GaAsP/Red	655	40	80	40	200	1.7	2.0	0.6	SD-10	
BS-A335RD		BS-C335RD	GaP/ Bright Red	700	90	40	15	50	2.2	2.5	1.2			
BS-A335RE		BS-C335RE		700	90	40	15	50	2.2	2.5	1.2			
BS-A332RD		BS-C332RD	GaP/ Green	568	30	80	30	150	2.2	2.5	3.0			
BS-A333RD		BS-C333RD	GaAsP/GaP/ Yellow	585	35	80	30	150	2.1	2.5	2.0			
BS-A334RD		BS-C334RD	GaAsP/GaP/ Hi-Eff.Red	635	45	80	30	150	2.0	2.5	3.0			
			GaAsP/GaP/ Orange											
BS-A336RD		BS-C336RD	GaAlAs/ SH Super Red	660	20	80	30	150	1.7	2.5	6.0			
BS-A33DRD	BS-C33DRD	GaAlAs/ DH Super Red	660	20	80	30	150	1.7	2.5	7.0				
0.31" Single-Digit	BS-A361RD	BS-C361RD	GaAsP/Red	655	40	80	40	200	1.7	2.0	0.6	SD-11		
	BS-A365RD	BS-C365RD	GaP/ Bright Red	700	90	40	15	50	2.2	2.5	1.2			
	BS-A365RE	BS-C365RE		700	90	40	15	50	2.2	2.5	1.2			
	BS-A362RD	BS-C362RD	GaP/ Green	568	30	80	30	150	2.2	2.5	3.0			
	BS-A363RD	BS-C363RD	GaAsP/GaP/ Yellow	585	35	80	30	150	2.1	2.5	2.0			
	BS-A364RD	BS-C364RD	GaAsP/GaP/ Hi-Eff.Red	635	45	100	30	150	2.0	2.5	3.0			
			GaAsP/GaP/ Orange											
BS-A366RD	BS-C366RD	GaAlAs/ SH Super Red	660	20	80	30	150	1.7	2.5	6.0				
BS-A36DRD	BS-C36DRD	GaAlAs/ DH Super Red	660	20	80	30	150	1.7	2.5	7.0				
0.36" Single-Digit	BS-A321RD	BS-C321RD	GaAsP/Red	655	40	80	40	200	1.7	2.0	0.6	SD-12		
	BS-A325RD	BS-C325RD	GaP/ Bright Red	700	90	40	15	50	2.2	2.5	1.2			
	BS-A325RE	BS-C325RE		700	90	40	15	50	2.2	2.5	1.2			
	BS-A322RD	BS-C322RD	GaP/ Green	568	30	80	30	150	2.2	2.5	3.0			
	BS-A323RD	BS-C323RD	GaAsP/GaP/ Yellow	585	35	80	30	150	2.1	2.5	2.0			
	BS-A324RD	BS-C324RD	GaAsP/GaP/ Hi-Eff.Red	635	45	80	30	150	2.0	2.5	3.0			
			GaAsP/GaP/ Orange											
BS-A36RD	BS-C326RD	GaAlAs/ SH Super Red	660	20	80	30	150	1.7	2.5	6.0				
BS-A32DRD	BS-C32DRD	GaAlAs/ DH Super Red	660	20	80	30	150	1.7	2.5	7.0				

SD-07 BS-A _C 31xRD	SD-08 BS-A _C 31xRD-A
 <p>SD-07 BS-A_C31xRD and BS-C31xRD. Dimensions: 5.20(205), 10° angle, 7.62(300), 19.00(748), 10.10(394), 1.1(043) diameter, 1.50(059), 2.54(100), 6.10(240), 3.0(118) MIN., 7.62(300). Pinout: A, B, C, D, E, F, G, DP. NP: 3,5,10,11.</p>	 <p>SD-08 BS-A_C31xRD-A and BS-C31xRD-A. Dimensions: 5.10(201), 10° angle, 7.62(300), 19.00(748), 10.10(394), 1.1(043) diameter, 1.50(059), 2.54(100), 5.20(205), 3.00(118) MIN., 7.62(300). Pinout: A, B, C, D, E, F, G, RDP. NP: 3,5,10,11.</p>
SD-09 BS-A _C 31xRD-B	SD-10 BS-A _C 33xRD
 <p>SD-09 BS-A_C31xRD-B and BS-C31xRD-B. Dimensions: 5.2(205), 10° angle, 7.62(300), 19.00(748), 10.10(394), 1.1(043) diameter, 0.60(024), 5.2(205), 3.0(118) MIN., 7.62(300). Pinout: A, B, C, D, E, F, G, RDP. NP: 3,5,10,11.</p>	 <p>SD-10 BS-A_C33xRD and BS-C33xRD. Dimensions: 5.20(205), 10° angle, 7.62(300), 19.00(748), 10.10(394), 1.1(043) diameter, 1.50(059), 2.54(100), 6.10(240), 3.00(118) MIN., 7.62(300). Pinout: A, B, C, D, E, F, G, RDP. NP: 1,7,8,14.</p>
SD-11 BS-A _C 36xRD	SD-12 BS-A _C 32xRD
 <p>SD-11 BS-A_C36xRD and BS-C36xRD. Dimensions: 4.40(173), 10° angle, 8.00(310), 13.00(512), 7.50(295), 1.1(043) diameter, 0.50(020), 2.54(100), 6.50(256), 3.00(118) MIN., 0.25(010), 5.08(200). Pinout: A, B, C, D, E, F, G, DP. NP: 1,6.</p>	 <p>SD-12 BS-A_C32xRD and BS-C32xRD. Dimensions: 4.80(189), 5° angle, 9.10(36), 14.00(551), 7.50(295), 1.10(043) diameter, 0.80(031), 2.54(100), 8.50(335), 3.00(120) MIN., 0.25(010), 5.08(200). Pinout: A, B, C, D, E, F, G, DP. NP: 1,6.</p>

NOTES: 1.All Dimensions are in millimeters(inches).
 2.Tolerance is $\pm 0.25\text{mm}(010")$.
 3.Specifications are subject to change without notice.
 4.NP:No Pin. 5.NC:No Connect.