
HA17902 Series

Quad Operational Amplifier

HITACHI

Description

The HA17902 is an internal phase compensation quad operational amplifier that operates on a single-voltage power supply and is appropriate for use in a wide range of general-purpose control equipment.

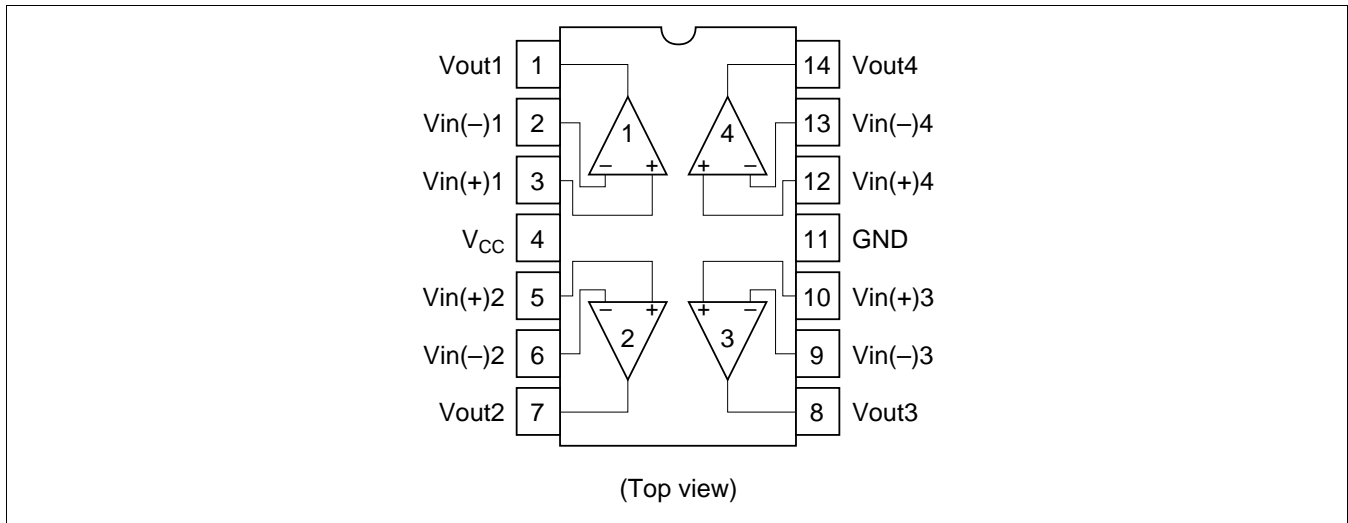
Features

- Wide usable power-supply voltage range and single-voltage supply operation
- Internal phase compensation
- Wide common-mode voltage range and operation for inputs close to the 0 level

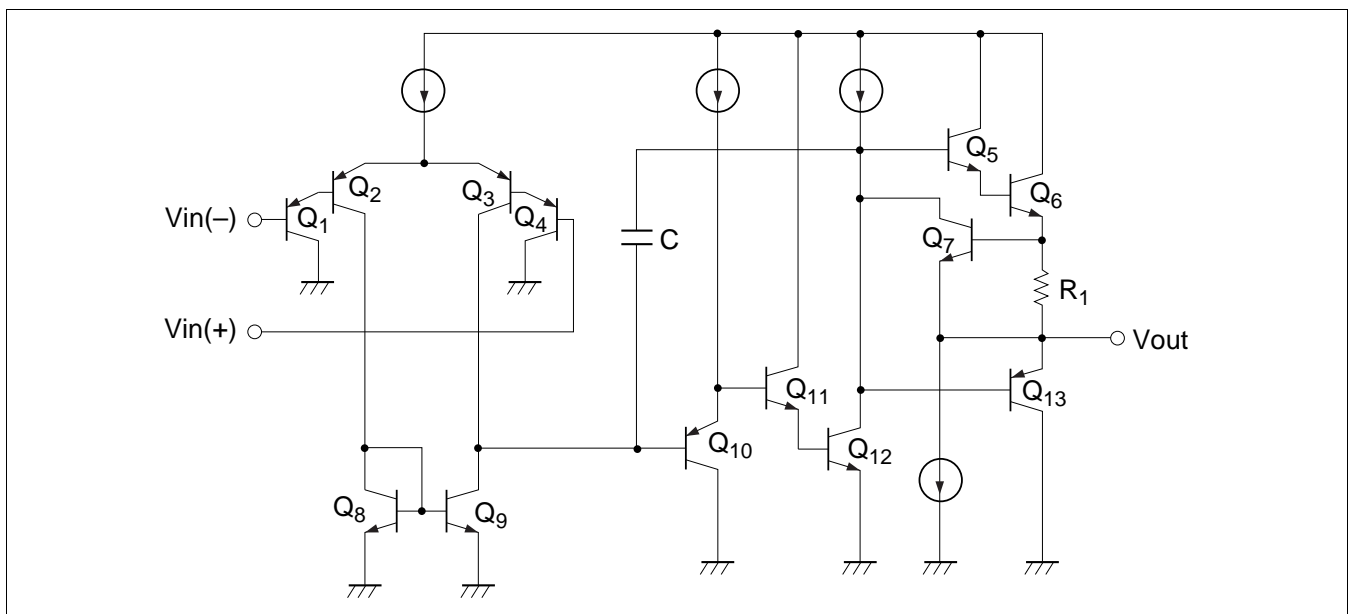
Ordering Information

Type No.	Application	Package
HA17902PJ	Car use	DP-14
HA17902FPJ		FP-14DA
HA17902FPK		FP-14DA
HA17902P	Industrial use	DP-14
HA17902FP		FP-14DA
HA17902	Commercial use	DP-14

Pin Arrangement



Circuit Structure (1/4)



Absolute Maximum Ratings (Ta = 25°C)

Item	Symbol	HA17902/ P	HA17902 PJ	HA17902 FP	HA17902 FPJ	HA17902 FPK	Unit
Power supply voltage	V _{CC}	28	28	28	28	28	V
Sink current	I _{o sink}	50	50	50	50	25	mA
Allowable power dissipation	P _T	625* ¹	625* ¹	625* ²	625* ²	625* ²	mW
Common-mode input voltage	V _{CM}	-0.3 to V _{CC}	-0.3 to V _{CC}	-0.3 to V _{CC}	-0.3 to V _{CC}	-0.3 to V _{CC}	V
Differential-mode input voltage	V _{in(diff)}	±V _{CC}	±V _{CC}	±V _{CC}	±V _{CC}	±V _{CC}	V
Operating temperature	T _{opr}	-20 to +75	-40 to +85	-20 to +75	-40 to +85	-40 to +125	°C
Storage temperature	T _{stg}	-55 to +125	-55 to +125	-55 to +125	-55 to +125	-55 to +150	°C

Notes: 1. These are the allowable values up to Ta = 50°C. Derate by 8.3mW/°C above that temperature.
 2. See notes on SOP Package Usage in Reliability section.

Electrical Characteristics 1 ($V_{CC} = +15V$, $T_a = 25^\circ C$)

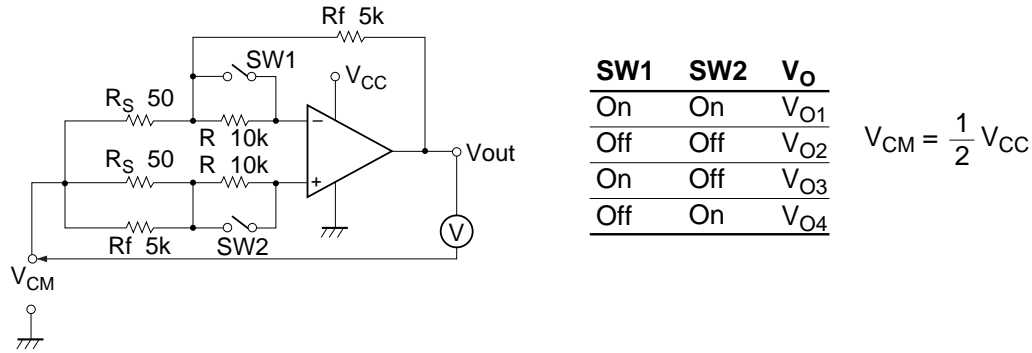
Item	Symbol	Min	Typ	Max	Unit	Test Conditions
Input offset voltage	V_{IO}	—	3	8	mV	$V_{CM} = 7.5V$, $R_S = 50\Omega$, $R_f = 5k\Omega$
Input offset current	I_{IO}	—	5	50	nA	$I_{IO} = I_1^- - I_1^+ $, $V_{CM} = 7.5V$
Input bias current	I_{IB}	—	30	500	nA	$V_{CM} = 7.5V$
Power-supply rejection ratio	PSRR	—	93	—	dB	$f = 100Hz$, $R_S = 1k\Omega$, $R_f = 100k\Omega$
Voltage gain	A_{VD}	75	90	—	dB	$R_S = 1k\Omega$, $R_f = 100k\Omega$, $R_L = \infty$
Common-mode rejection ratio	CMR	—	80	—	dB	$R_S = 50\Omega$, $R_f = 5k\Omega$
Common-mode input voltage range	V_{CM}	-0.3	—	13.5	V	$R_S = 1k\Omega$, $R_f = 100k\Omega$, $f = 100Hz$
Maximum output voltage amplitude	V_{OP-P}	—	13.6	—	V	$f = 100Hz$, $R_S = 1k\Omega$, $R_f = 100k\Omega$, $R_L = 20k\Omega$
Output voltage	V_{OH1}	13.2	13.6	—	V	$I_{OH} = -1mA$
	V_{OH2}	12	13.3	—	V	$I_{OH} = -10mA$
	V_{OL1}	—	0.8	1	V	$I_{OL} = 1mA$
	V_{OL2}	—	1.1	1.8	V	$I_{OL} = 10mA$
Output source current	$I_{O\ source}$	15	—	—	mA	$V_{OH} = 10V$
Output sink current	$I_{O\ sink}$	3	9	—	mA	$V_{OL} = 1V$
Supply current	I_{CC}	—	0.8	2	mA	$V_{in} = GND$, $R_L = \infty$
Slew rate	SR	—	0.19	—	V/ μs	$f = 1.5kHz$, $V_{CM} = 7.5V$, $R_L = \infty$
Channel separation	CS	—	120	—	dB	$f = 1kHz$

Electrical Characteristics 2 ($V_{CC} = +15V$, $T_a = -40$ to $125^\circ C$)

Item	Symbol	Min	Typ	Max	Unit	Test Conditions
Input offset voltage	V_{IO}	—	—	8	mV	$V_{CM} = 7.5V$, $R_S = 50\Omega$, $R_f = 5k\Omega$
Input offset current	I_{IO}	—	—	200	nA	$V_{CM} = 7.5V$, $I_{IO} = I_1^- - I_1^+ $
Input bias current	I_{IB}	—	—	500	nA	$V_{CM} = 7.5V$
Common-mode input voltage range	V_{CM}	0	—	13.0	V	$R_S = 1k\Omega$, $R_f = 100k\Omega$, $f = 100Hz$
Output voltage	V_{OH}	13.0	—	—	V	$I_{OH} = -1mA$
	V_{OL}	—	—	1.3	V	$I_{OL} = 1mA$
Supply current	I_{CC}	—	—	4	mA	$V_{in} = GND$, $R_L = \infty$

Test Circuits

1. Input offset voltage (V_{IO}), input offset current (I_{IO}), and Input bias current (I_{IB}) test circuit



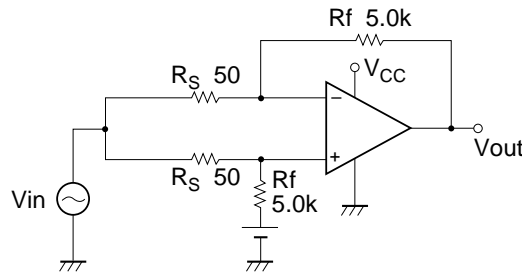
$$V_{IO} = \frac{V_{O1}}{1 + R_f / R_S} \quad (\text{mV})$$

$$I_{IO} = \frac{V_{O2} - V_{O1}}{R(1 + R_f / R_S)} \quad (\text{nA})$$

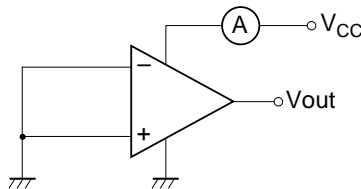
$$I_{IB} = \frac{|V_{O4} - V_{O3}|}{2 \cdot R(1 + R_f / R_S)} \quad (\text{nA})$$

2. Common-mode rejection ratio (CMR) test circuit

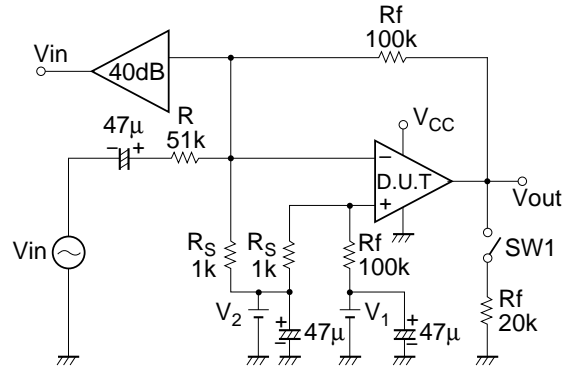
$$\text{CMR} = 20 \log \frac{V_{IN} \cdot R_f}{V_O \cdot R_S} \quad (\text{dB})$$



3. Supply current (I_{CC}) test circuit



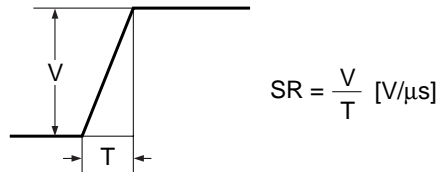
4. Voltage gain (A_{VD}), slew rate (SR), common-mode input voltage range (V_{CM}), and maximum output voltage amplitude (V_{OP-P}) test circuit.



- (1) A_{VD} : $R_S = 1k\Omega$, $R_f = 100k\Omega$, $R_L = \infty$, $V_1 = V_2 = 1/2 V_{CC}$

$$A_{VD} = 20 \log \frac{V_O}{V_{IN}} + 40 \quad (\text{dB})$$

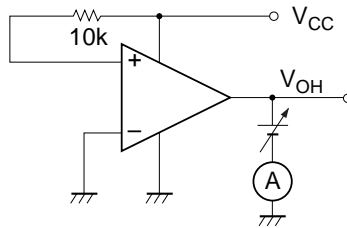
- (2) SR: $f = 1.5kHz$, $R_L = \infty$, $V_1 = V_2 = 1/2 V_{CC}$



- (3) V_{CM} : $R_S = 1k\Omega$, $R_f = 100k\Omega$, $f = 100Hz$, $V_1 = 1/2 V_{CC}$, $R_L = \infty$,
and the value of V_2 just slightly prior to the point where the output waveform changes.
- (4) V_{OP-P} : $R_S = 1k\Omega$, $R_f = 100k\Omega$, $R_L: 20k\Omega$, $f = 100Hz$, $V_{OP-P} = V_{OH} \leftrightarrow V_{OL}$ [V_{P-P}]

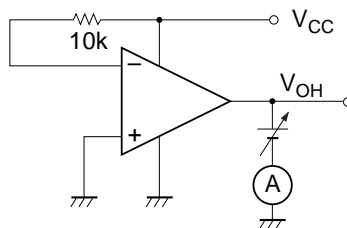
5. Output source current (I_{source}) test circuit

$I_{o \text{ source}}$: $V_{OH} = 10V$

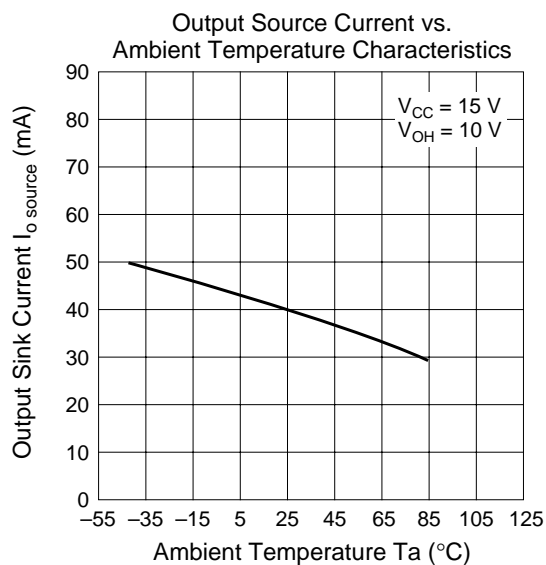
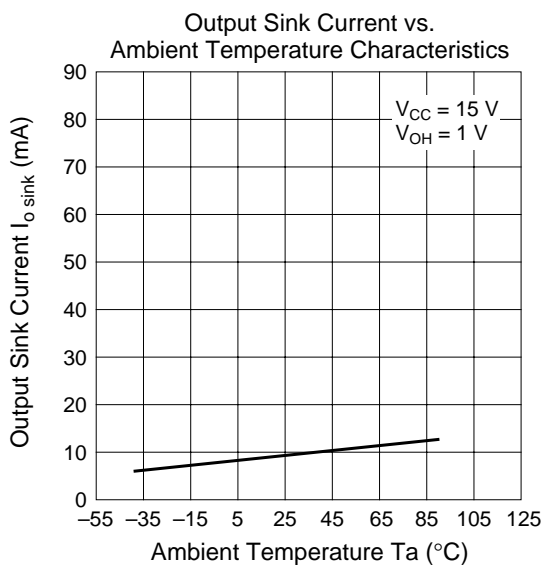
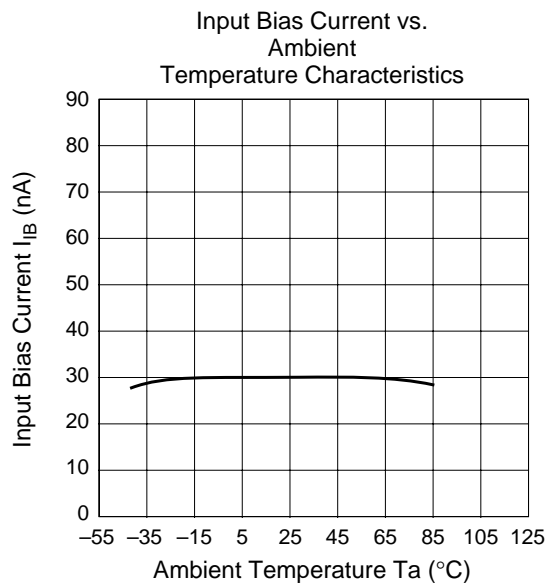
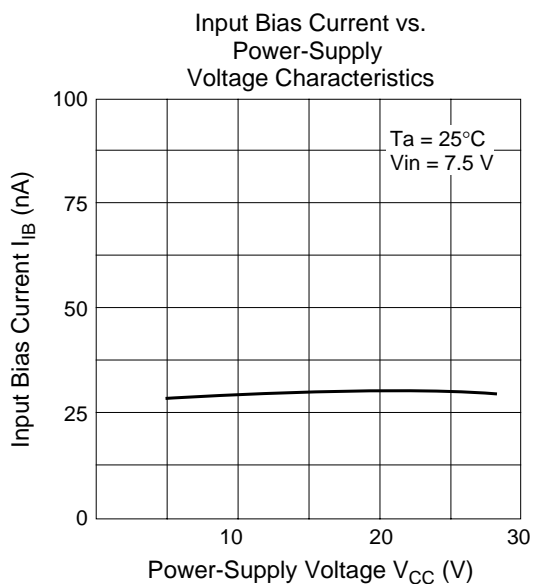


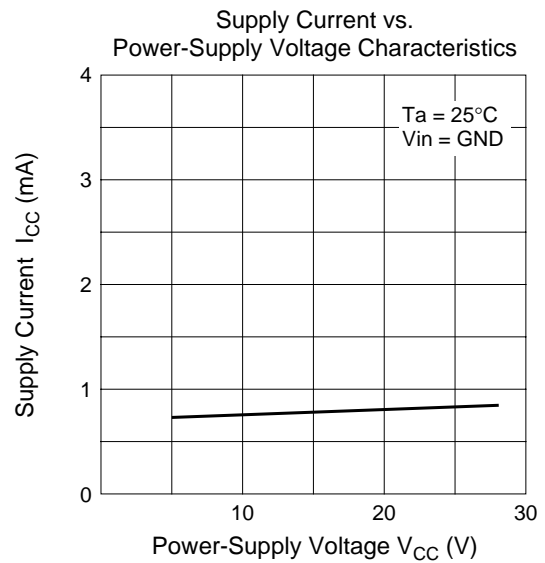
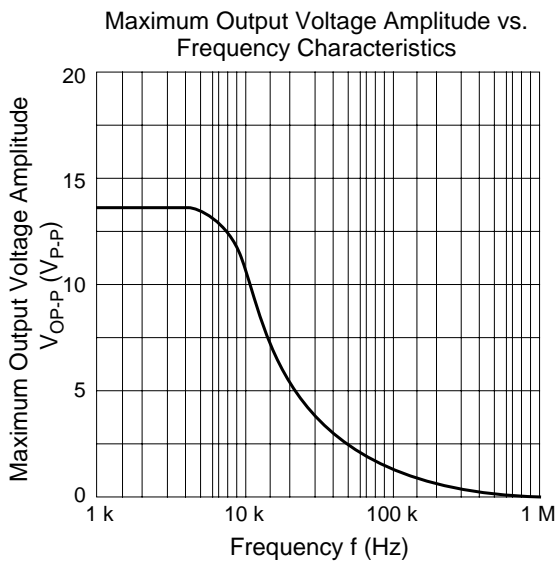
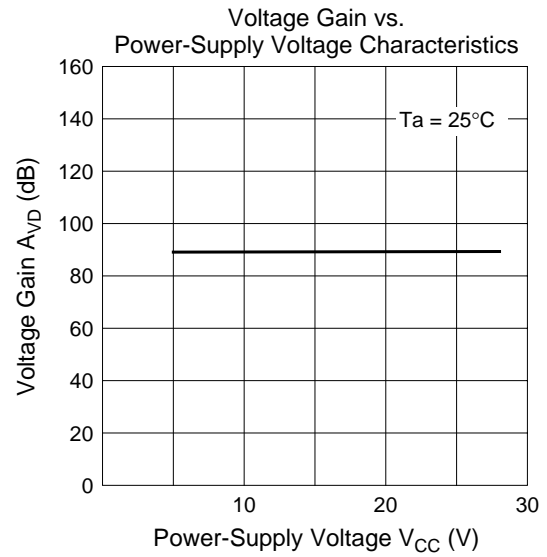
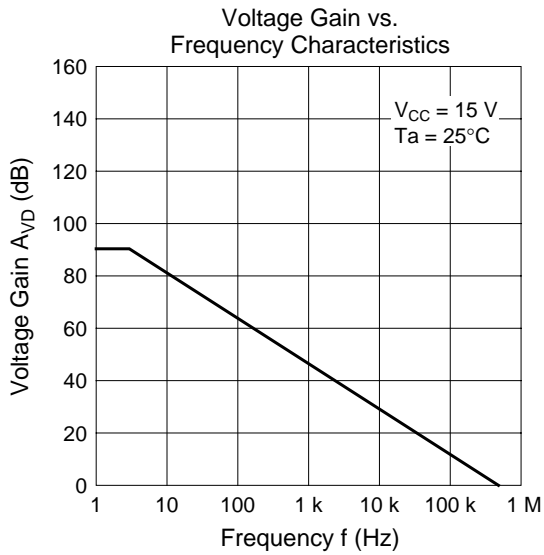
6. Output sink current (I_{sink}) test circuit

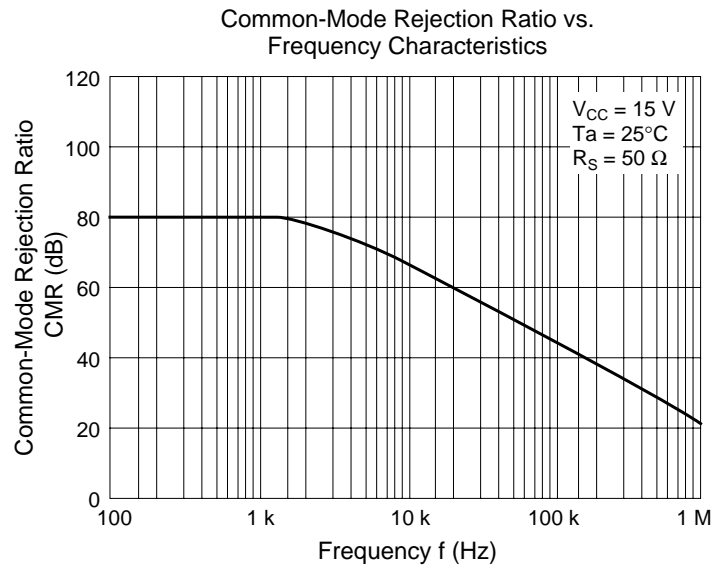
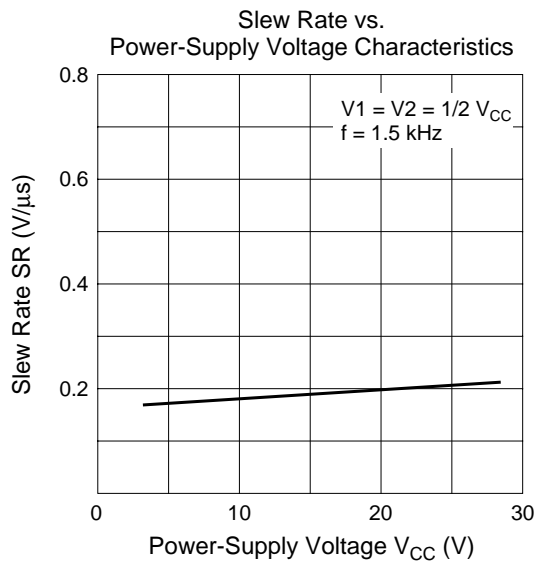
$I_{o \text{ sink}}$: $V_{OL} = 1V$

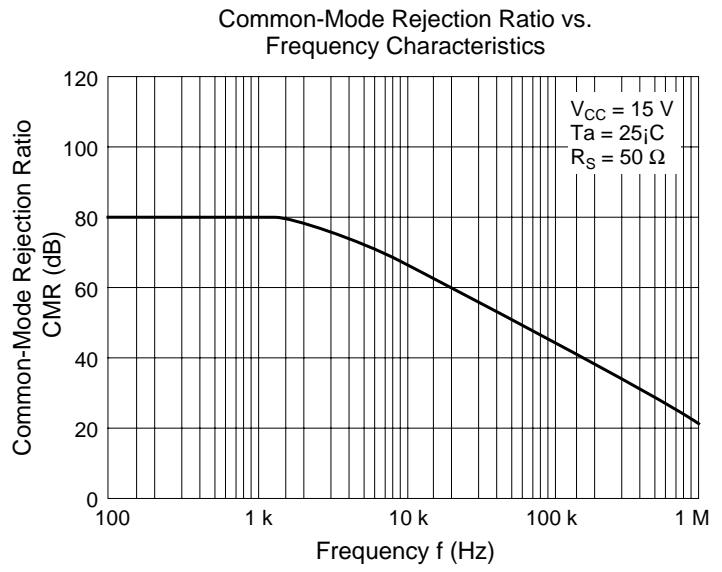
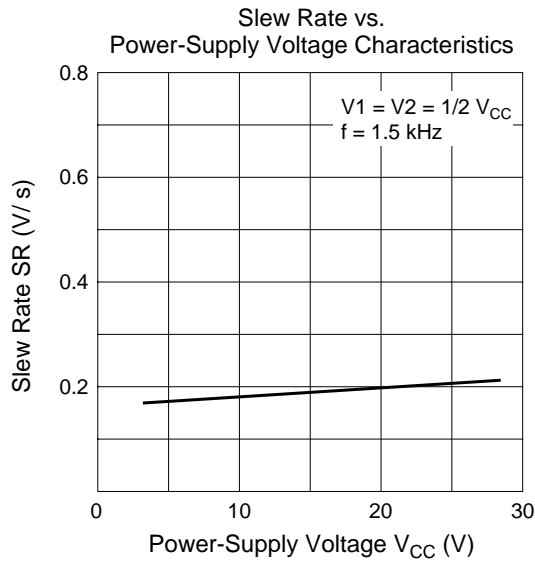


Characteristics Curve









HA17902 Application Examples

The HA17902 is a quad operational amplifier, and consists of four operational amplifier circuits and one bias current circuit. It features single-voltage power supply operation, internal phase compensation, a wide zero-cross bandwidth, a low input bias current, and a high open-loop gain. Thus the HA17902 can be used in a wide range of applications. This section describes several applications using the HA17902.

1. Noninverting Amplifier

Figure 1 shows the circuit diagram for a noninverting amplifier. The voltage gain of this amplifier is given by the following formula.

$$\frac{V_{out}}{V_{in}} = 1 + \frac{R_2}{R_1}$$

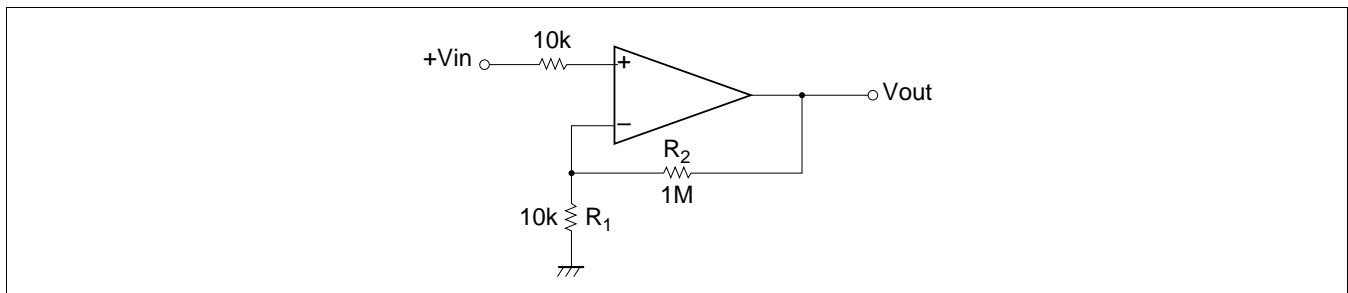


Figure 1 Noninverting Amplifier

2. Summing Amplifier

Since the circuit shown in figure 2 applies $+V_1$ and $+V_2$ to the noninverting input and $+V_3$ and $+V_4$ to the inverting input, the total output will be $V_{out} = V_1 + V_2 - V_3 - V_4$.

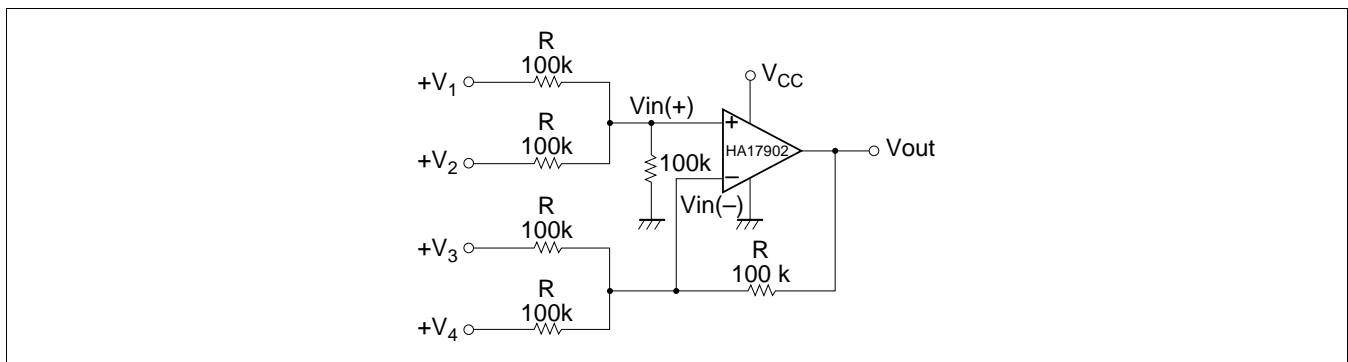


Figure 2 Summing Amplifier

3. High Input Impedance DC Differential Amplifier

The circuit shown in figure 3 is a high input impedance DC differential amplifier. This circuit's common-mode rejection ratio (CMR) depends on the matching between the R_1/R_2 and R_4/R_3 resistance ratios. This amplifier's output is given by the following formula.

$$V_{out} = \left(1 + \frac{R_4}{R_3}\right) (V_2 - V_1)$$

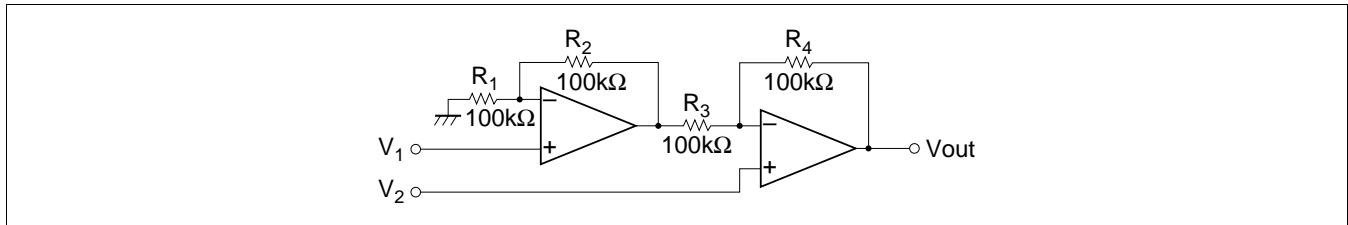


Figure 3 High Input Impedance DC Differential Amplifier

4. Voltage Controlled Oscillator

Figure 4 shows an oscillator circuit in which the amplifier A_1 is an integrator, the amplifier A_2 is a comparator, and transistor Q_1 operates as a switch that controls the oscillator frequency. If the output V_{out1} is at the low level, this will cut off transistor Q_1 and cause the A_1 inverting input to go to a higher potential than the noninverting input. Therefore, A_1 will integrate this negative input state and its output level will decrease. When the A_1 integrator output becomes lower than the A_2 comparator noninverting input level ($V_{CC}/2$) the comparator output goes high. This turns on transistor Q_1 causing the integrator to integrate a positive input state and for its output to increase. This operation generates a square wave on V_{out1} and a triangular wave on V_{out2} .

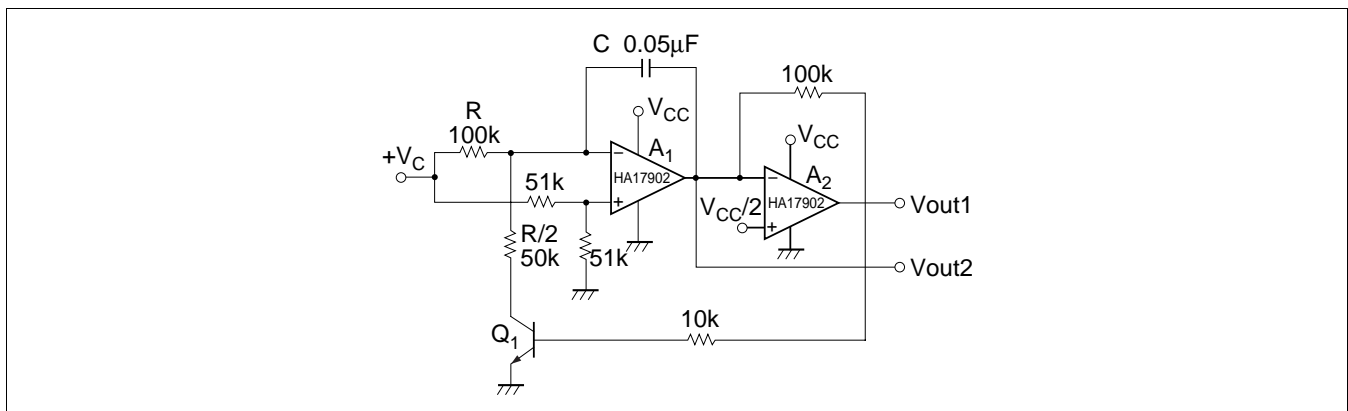
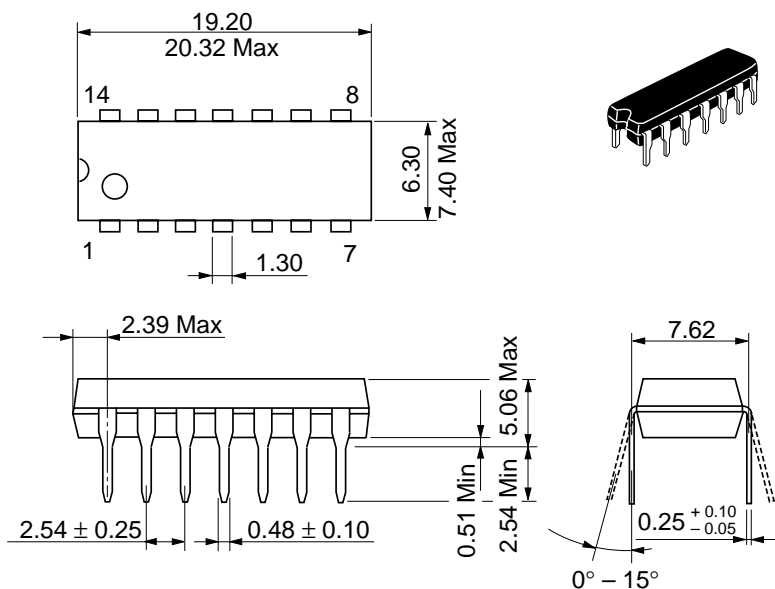


Figure 4 Voltage Controlled Oscillator

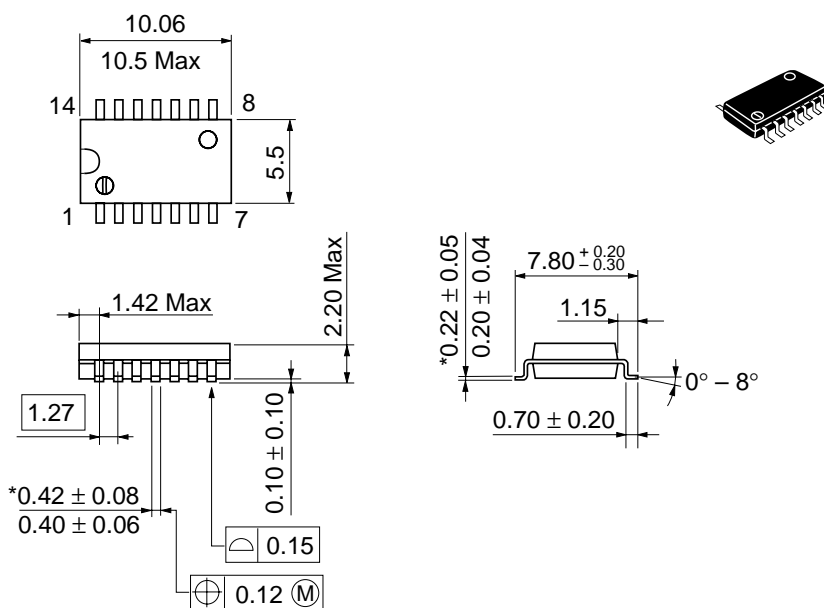
Package Dimensions

Unit: mm



Hitachi Code	DP-14
JEDEC	Conforms
EIAJ	Conforms
Mass (reference value)	0.97 g

Unit: mm



*Dimension including the plating thickness
Base material dimension

Hitachi Code	FP-14DA
JEDEC	—
EIAJ	Conforms
Mass (reference value)	0.23 g

Cautions

1. Hitachi neither warrants nor grants licenses of any rights of Hitachi's or any third party's patent, copyright, trademark, or other intellectual property rights for information contained in this document. Hitachi bears no responsibility for problems that may arise with third party's rights, including intellectual property rights, in connection with use of the information contained in this document.
2. Products and product specifications may be subject to change without notice. Confirm that you have received the latest product standards or specifications before final design, purchase or use.
3. Hitachi makes every attempt to ensure that its products are of high quality and reliability. However, contact Hitachi's sales office before using the product in an application that demands especially high quality and reliability or where its failure or malfunction may directly threaten human life or cause risk of bodily injury, such as aerospace, aeronautics, nuclear power, combustion control, transportation, traffic, safety equipment or medical equipment for life support.
4. Design your application so that the product is used within the ranges guaranteed by Hitachi particularly for maximum rating, operating supply voltage range, heat radiation characteristics, installation conditions and other characteristics. Hitachi bears no responsibility for failure or damage when used beyond the guaranteed ranges. Even within the guaranteed ranges, consider normally foreseeable failure rates or failure modes in semiconductor devices and employ systemic measures such as fail-safes, so that the equipment incorporating Hitachi product does not cause bodily injury, fire or other consequential damage due to operation of the Hitachi product.
5. This product is not designed to be radiation resistant.
6. No one is permitted to reproduce or duplicate, in any form, the whole or part of this document without written approval from Hitachi.
7. Contact Hitachi's sales office for any questions regarding this document or Hitachi semiconductor products.

HITACHI

Hitachi, Ltd.

Semiconductor & Integrated Circuits.

Nippon Bldg., 2-6-2, Ohte-machi, Chiyoda-ku, Tokyo 100-0004, Japan

Tel: Tokyo (03) 3270-2111 Fax: (03) 3270-5109

URL North America : <http://semiconductor.hitachi.com/>
 Europe : <http://www.hitachi-eu.com/hel/ecg>
 Asia (Singapore) : <http://www.has.hitachi.com.sg/grp3/sicd/index.htm>
 Asia (Taiwan) : http://www.hitachi.com.tw/E/Product/SICD_Frame.htm
 Asia (HongKong) : <http://www.hitachi.com.hk/eng/bo/grp3/index.htm>
 Japan : <http://www.hitachi.co.jp/Sicd/indx.htm>

For further information write to:

Hitachi Semiconductor
(America) Inc.
179 East Tasman Drive,
San Jose, CA 95134
Tel: <1> (408) 433-1990
Fax: <1>(408) 433-0223

Hitachi Europe GmbH
Electronic components Group
Dornacher Straße 3
D-85622 Feldkirchen, Munich
Germany
Tel: <49> (89) 9 9180-0
Fax: <49> (89) 9 29 30 00

Hitachi Europe Ltd.
Electronic Components Group.
Whitebrook Park
Lower Cookham Road
Maidenhead
Berkshire SL6 8YA, United Kingdom
Tel: <44> (1628) 585000
Fax: <44> (1628) 778322

Hitachi Asia Pte. Ltd.
16 Collyer Quay #20-00
Hitachi Tower
Singapore 049318
Tel: 535-2100
Fax: 535-1533

Hitachi Asia Ltd.
Taipei Branch Office
3F, Hung Kuo Building, No.167,
Tun-Hwa North Road, Taipei (105)
Tel: <886> (2) 2718-3666
Fax: <886> (2) 2718-8180

Hitachi Asia (Hong Kong) Ltd.
Group III (Electronic Components)
7/F., North Tower, World Finance Centre,
Harbour City, Canton Road, Tsim Sha Tsui,
Kowloon, Hong Kong
Tel: <852> (2) 735 9218
Fax: <852> (2) 730 0281
Telex: 40815 HITEC HX

Copyright ' Hitachi, Ltd., 1998. All rights reserved. Printed in Japan.

HITACHI