

---

# HA17451AP/HA17451AFP

Switching Regulator Controllers for DC/DC Converters

# HITACHI

---

## Description

The HA17451 is a dual-channel switching regulator controller IC. Each channel contains the basic circuits for controlling a PWM-type switching-regulator power supply. Both channels are integrated onto the same chip. Both channels can be completely synchronized, using the same oscillator output waveform. Each channel can provide output voltages for step-up, step-down, inverting, and other converter topologies.

These controllers operate at voltages from 3.3 V to 40 V, making them suitable for a wide range of applications. They are ideal for chopper-type DC/DC converters. They are similar to the TL1451, but note that the HA17451A differs from the TL1451A.

## Functions

- Low-dropout 2.5V voltage reference
- Undervoltage lockout
- Triangle-wave oscillator
- Adjustable dead-time control
- Error amplifier
- Output driver (open-collector transistor type)
- PWM comparator

---

# HA17451AP/HA17451AFP

---

## Features

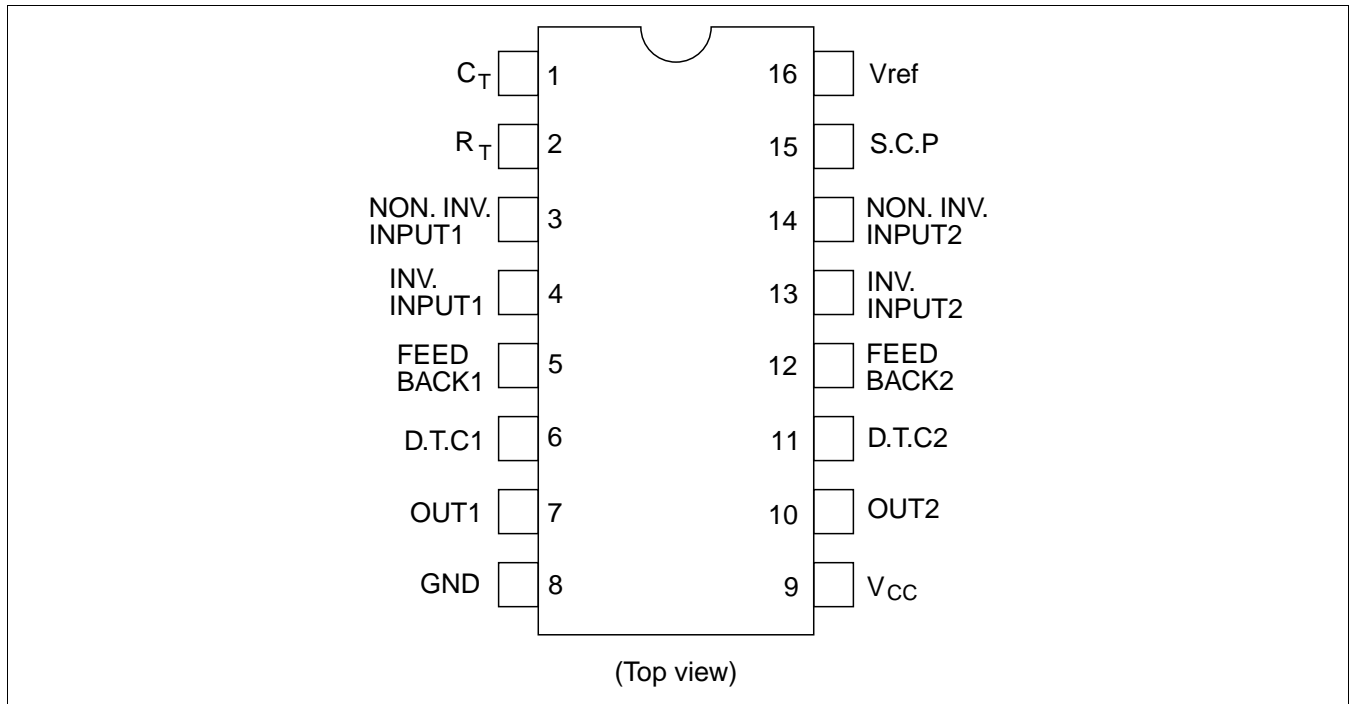
- Low dropout voltage of on-chip 2.5V voltage reference:  $V_{drop} = 0.2 \text{ V}$  (typ)
- Operates throughout wide supply voltage range: 3.3 V to 40 V
- Large maximum output current: 50 mA (max)
- Undervoltage lockout circuit
  - High threshold voltage: 3.15 V (typ)
  - Low threshold voltage: 2.98 V (typ)
- Low current drain: 1.5 mA (typ)
- Operates at wide range of oscillator frequencies:  $f_{OSC} = 1 \text{ kHz}$  to 300 kHz
- Dead time adjustable through full duty cycle range
- Surface-mount package (SOP16) for saving space (HA17451AFP)

## Ordering Information

Type Name	Package
HA17451AP	DP-16
HA17451AFP	FP-16DA

---

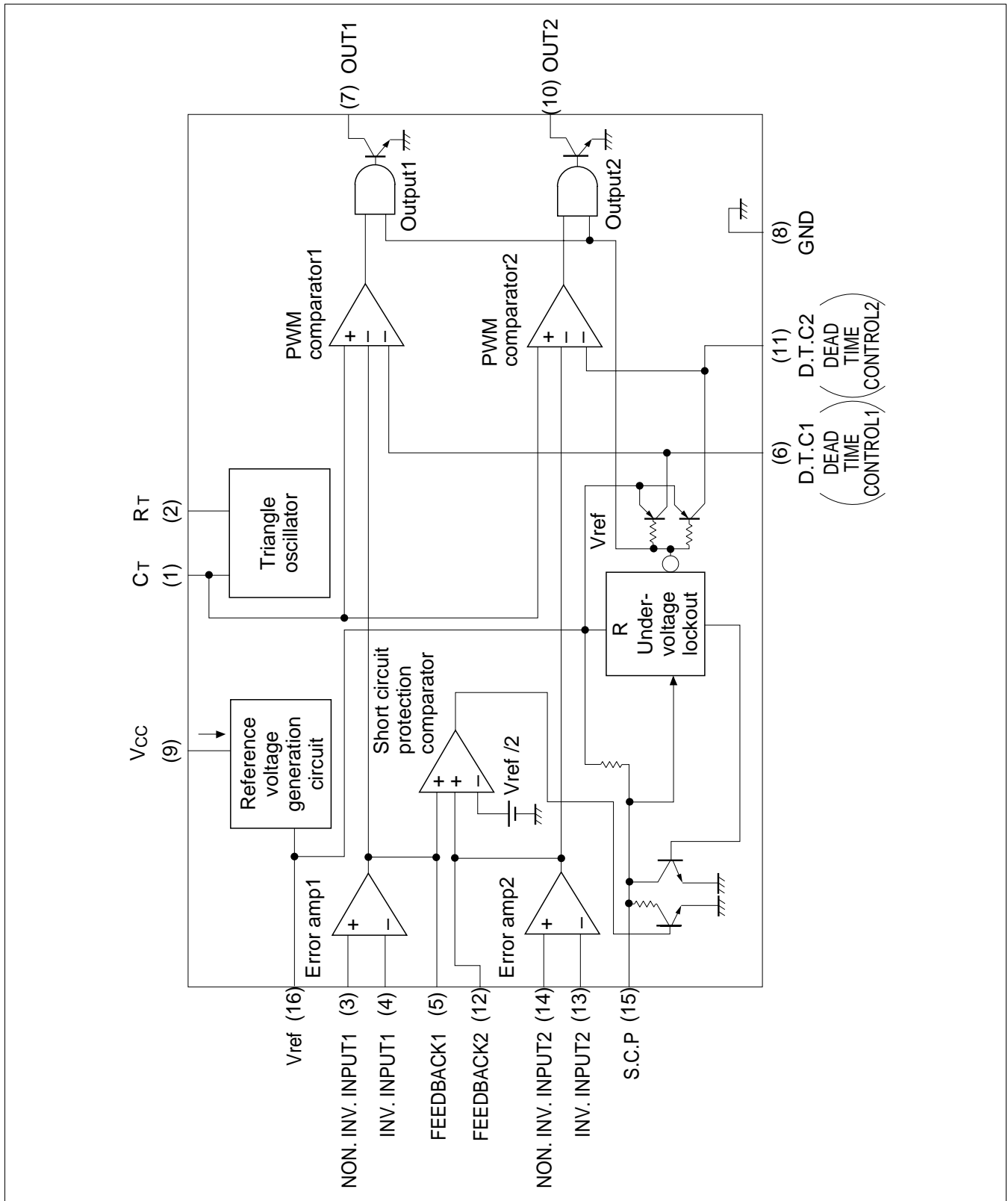
**Pin Arrangement**



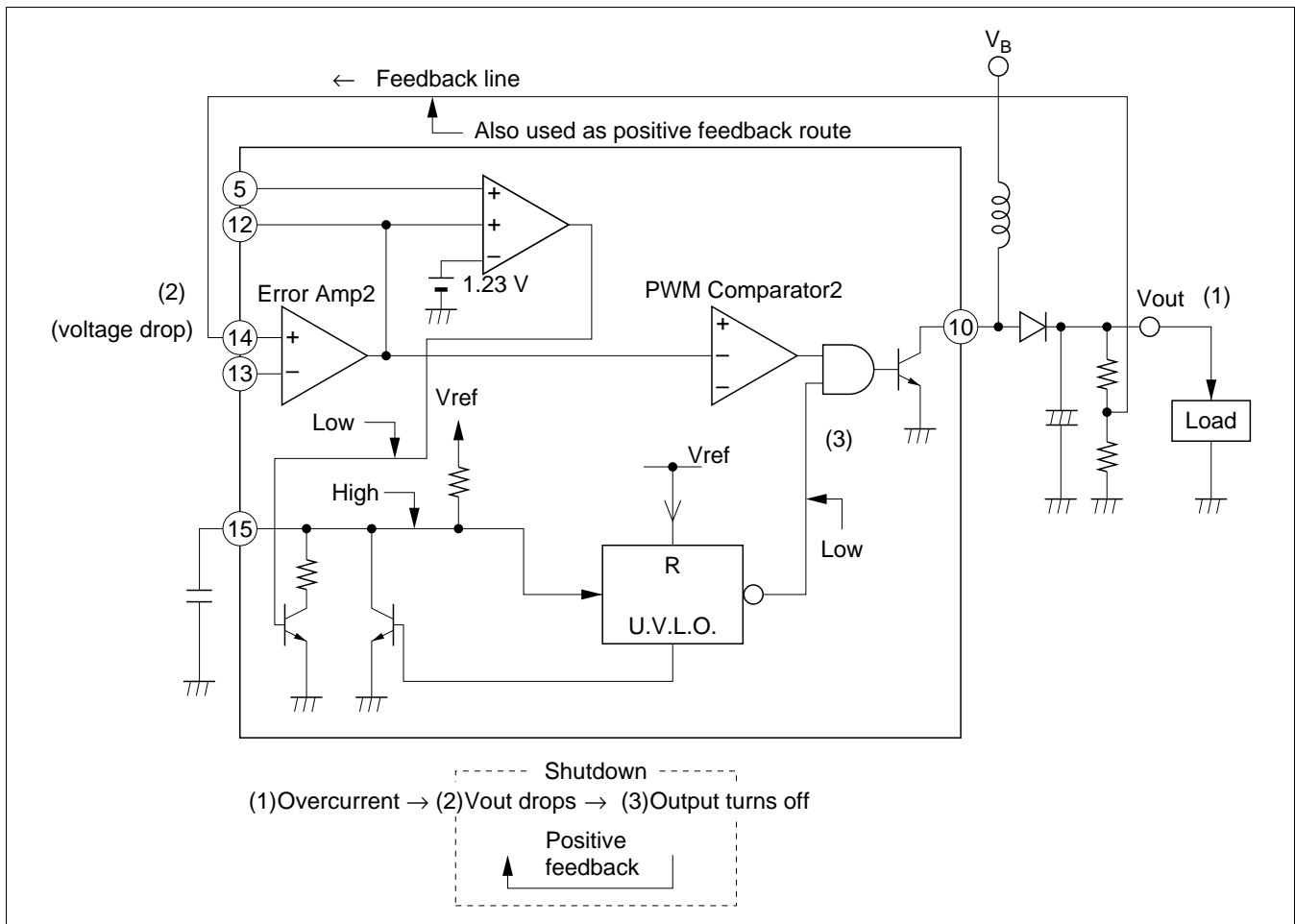
**Pin Functions**

Pin No.	Symbols	Functions
1	$C_T$	Timing capacitor
2	$R_T$	Timing resistor
3, 14	NON. INV. INPUT	Non-inverting input of error amp
4, 13	INV. INPUT	Inverting input of error amp
5, 12	FEEDBACK	Output of error amp
6, 11	D.T.C	Dead time control
7, 10	OUT	Output
8	GND	Ground
9	$V_{CC}$	Input voltage
15	S.C.P	Short circuit protection
16	Vref	Reference voltage output

## Block Diagram



Short-circuit Protection in HA17451A



Absolute Maximum Ratings (T<sub>a</sub> = 25°C)

Item	Symbol	Rating	Unit	Note
Power supply voltage	V <sub>cc</sub>	40	V	
Error amplifier input voltage	V <sub>i</sub>	20	V	
Collector output voltage	V <sub>o</sub>	40	V	
Collector output current	I <sub>o</sub>	50	mA	
Power dissipation	P <sub>T</sub>	680	mW	*
Operating temperature	T <sub>opr</sub>	- 20 to +85	°C	
Storage temperature	T <sub>stg</sub>	- 55 to +125	°C	

Note: This value applies to the HA17451AP at ambient temperatures up to T<sub>a</sub> = 45°C. Derate by 8.3 mW/°C above that point.

**Electrical Characteristics** ( $T_a = 25^\circ\text{C}$ ,  $V_{CC} = 6\text{ V}$ ,  $f_{OSC} = 200\text{ kHz}$ )**Reference Section**

Item	Symbol	Min	Typ	Max	Unit	Test Conditions
Output voltage	Vref	2.40	2.50	2.60	V	$I_o = 1\text{ mA}$
Voltage drop	Vdrop	—	0.2	0.35	V	$I_o = 1\text{ mA}$
Line regulation	Line	—	2	12.5	mV	$V_{CC} = 3.0\text{ to }40\text{ V}$
Load regulation	Load	—	1	7.5	mV	$I_o = 0.1\text{ to }1\text{ mA}$
Maximum output current	$I_{OMAX}$	3	10	30	mA	Vref = 0.5 V
Reverse voltage state minimum current	$I_{OR}$	18	—	—	$\mu\text{A}$	$-0.2\text{ V} < V_{ref} < 0\text{ V}$

**Undervoltage Lockout Protection Section**

Item	Symbol	Min	Typ	Max	Unit	Test Conditions
High level threshold	Vth	2.90	3.15	3.30	V	$I_o = 0.1\text{ mA}$
Low level threshold	Vtl	2.75	2.98	3.15	V	$I_o = 0.1\text{ mA}$
Hysteresis width	$V_{HYS}$	100	170	—	mV	$I_o = 0.1\text{ mA}$
Reset voltage	$V_R$	1.5	1.9	—	V	$I_o = 0.1\text{ mA}$

**Protection Section**

Item	Symbol	Min	Typ	Max	Unit	Test Conditions
Input threshold	$V_{TPC}$	0.56	0.61	0.66	V	
Input standby voltage	$V_{STBY}$	140	185	230	mV	No pull up
Input source current	lbpc	10	15	20	$\mu\text{A}$	
Comparator threshold voltage	Vtc	—	1.23	—	V	Pins 5 and 12

**Oscillator Section**

Item	Symbol	Min	Typ	Max	Unit	Test Conditions
Frequency	$f_{OSC}$	—	200	—	kHz	$C_T = 330\text{ pF}$ , $R_T = 10\text{ k}\Omega$
Initial accuracy	$f_{dev}$	—	10	—	%	
Voltage stability	$f_{dv}$	—	1	—	%	

**Electrical Characteristics** ( $T_a = 25^\circ\text{C}$ ,  $V_{CC} = 6\text{ V}$ ,  $f_{OSC} = 200\text{ kHz}$ ) (cont)

**Dead Time Control Section**

Item	Symbol	Min	Typ	Max	Unit	Test Conditions
Input threshold voltage	Vt0	—	2.05	2.25	V	$f_{OSC} = 10\text{ kHz}$ Duty cycle = 0%
Input threshold voltage	Vt100	1.20	1.45	—	V	$f_{OSC} = 10\text{ kHz}$ Duty cycle = 100%

**Error Amp Section**

Item	Symbol	Min	Typ	Max	Unit	Test Conditions
Input offset voltage	$V_{IO}$	-6	—	6	mV	$V_O$ (pin 5, 12) = 1.25 V
Input offset current	$I_{IO}$	-100	—	100	nA	$V_O$ (pin 5, 12) = 1.25 V
Input bias current	$I_B$	—	160	500	nA	$V_O$ (pin 5, 12) = 1.25 V
Common mode input voltage range	$V_{ICR}$	1.0	—	1.45	V	$V_{CC} = 3.3\text{ to }40\text{ V}$
Open loop gain	$A_V$	70	80	—	dB	$R_{NF} = 200\text{ k}\Omega^*$
Band width	GB	—	2.5	—	MHz	
Common mode rejection ratio	CMRR	40	60	—	dB	
Maximum output voltage	$V_{OM+}$	$V_{ref} - 0.15$	—	—	V	
	$V_{OM-}$	—	—	1.0		
Output sink current	$I_{OM+}$	0.5	1.6	—	mA	$V_O = 1.25\text{ V}$
Output source current	$I_{OM-}$	—	-70	-45	$\mu\text{A}$	$V_O = 1.25\text{ V}$

Note:  $R_{NF}$  is connected between pin 4 and 5 for channel 1, pin 12 and 13 for channel 2.

**Output Section**

Item	Symbol	Min	Typ	Max	Unit	Test Conditions
Collector off-state current (1)	$I_{Leak} (1)$	—	—	10	$\mu\text{A}$	$V_O = 40\text{ V}$
Collector off-state current (2)	$I_{Leak} (2)$	—	—	10	$\mu\text{A}$	$V_O = 40\text{ V}$ $V_{CC} = \text{Open}$
Saturation voltage	Vsat	—	1.2	2	V	$I_O = 10\text{ mA}$

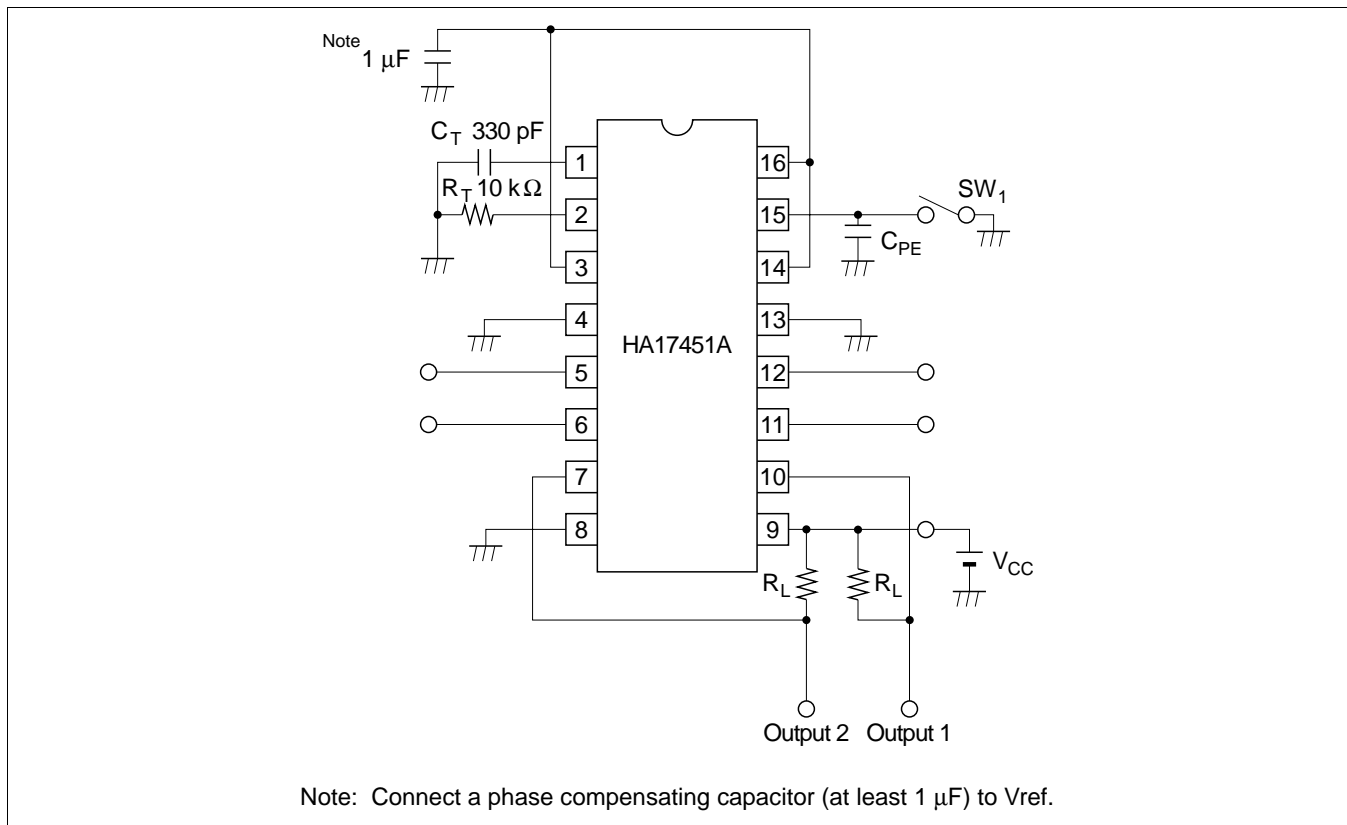
## PWM Comparator Section

Item	Symbol	Min	Typ	Max	Unit	Test Conditions
Input threshold voltage	Vt0	—	2.05	2.25	V	f <sub>OSC</sub> = 10 kHz Duty cycle = 0%
Input threshold voltage	Vt100	1.20	1.45	—	V	f <sub>OSC</sub> = 10 kHz Duty cycle = 100%
Input sink current	I <sub>sink</sub>	0.5	1.6	—	mA	V <sub>O</sub> (pin 5, 12) = 1.25 V
Input source current	I <sub>source</sub>	—	-70	-45	μA	V <sub>O</sub> (pin 5, 12) = 1.25 V

## Total Current

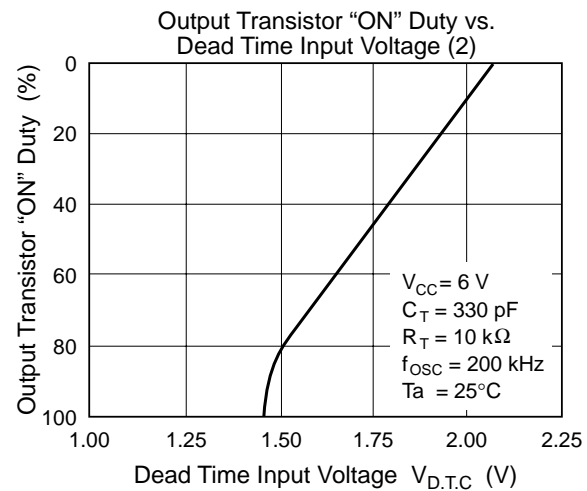
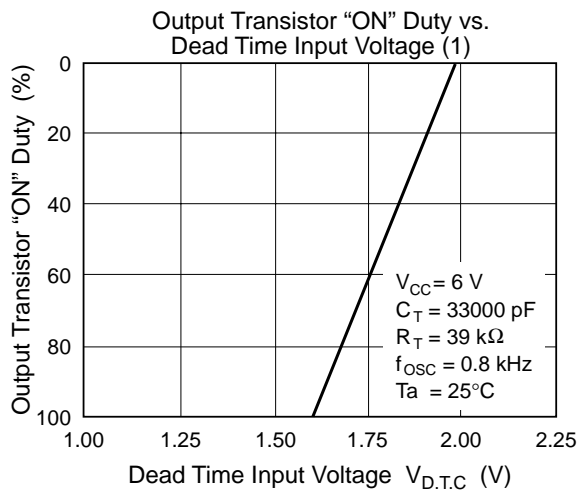
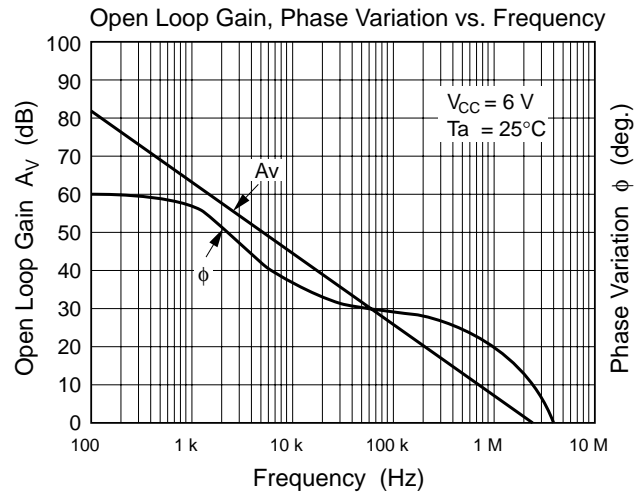
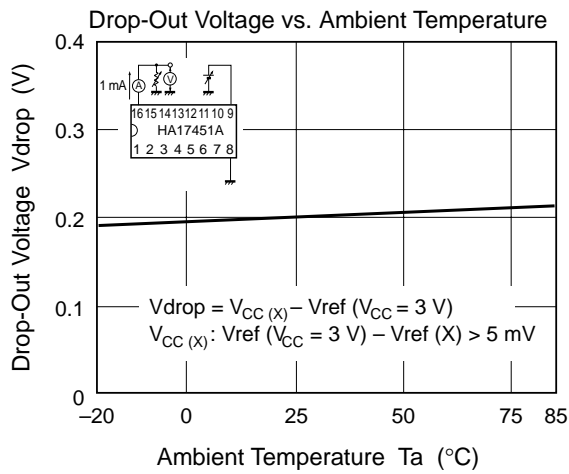
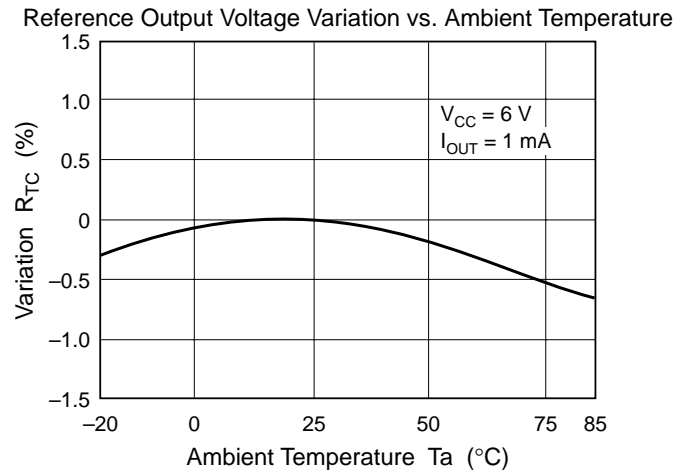
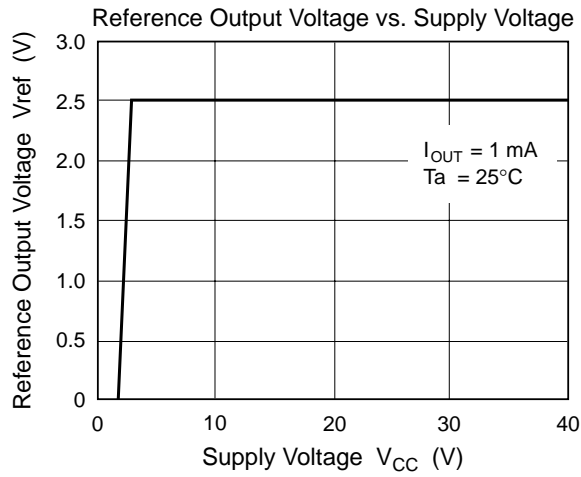
Item	Symbol	Min	Typ	Max	Unit	Test Conditions
Standby current	I <sub>ccs</sub>	—	1.5	2.0	mA	Output off-state
Average supply current	I <sub>cca</sub>	—	1.9	2.6	mA	R <sub>T</sub> = 10 kΩ S <sub>CP</sub> (pin 15) = 0 V

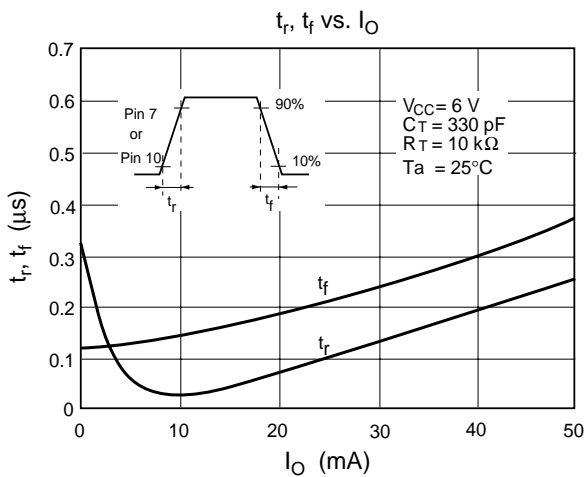
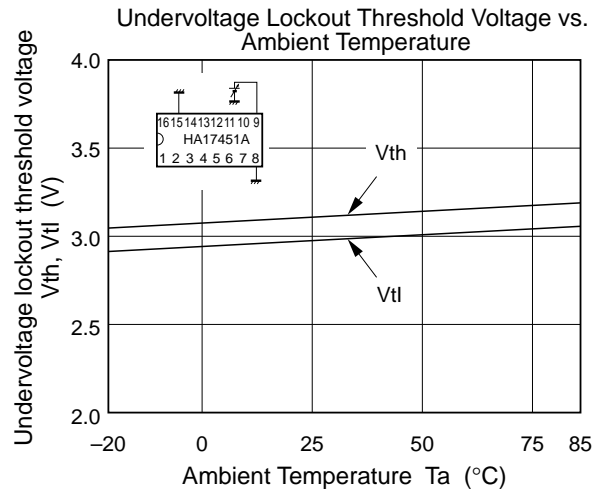
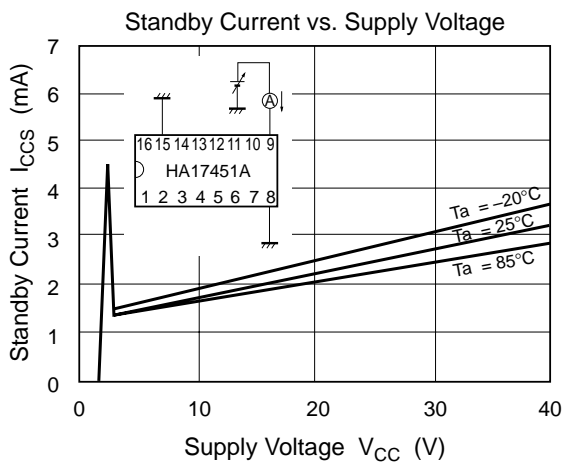
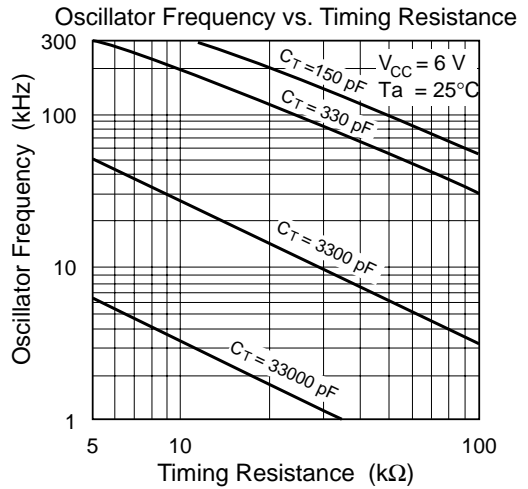
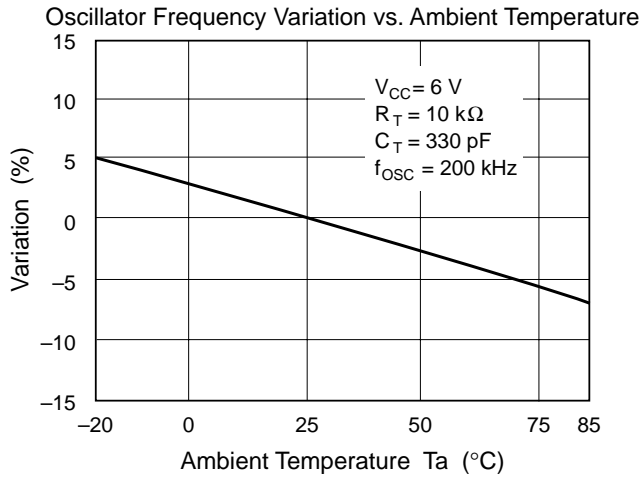
## Test Circuit





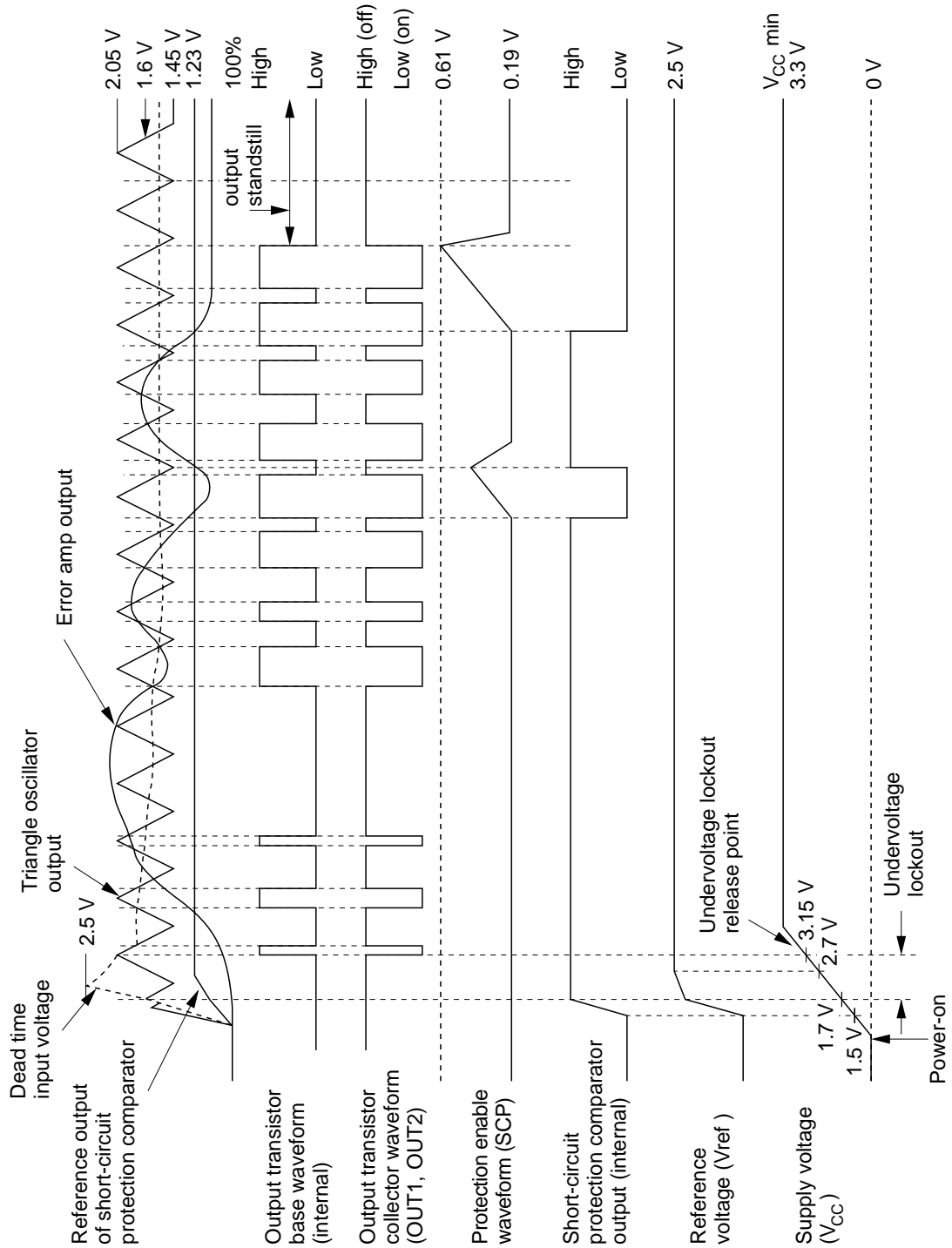
## Characteristic Curves





Timing Waveforms

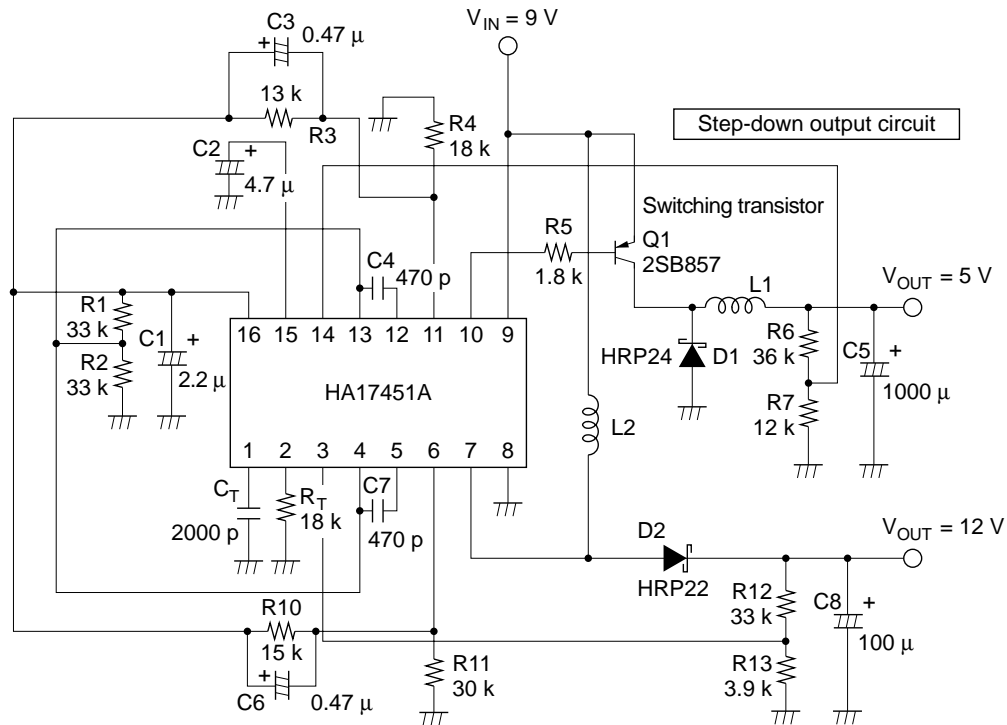
• Internal waveform timing diagram



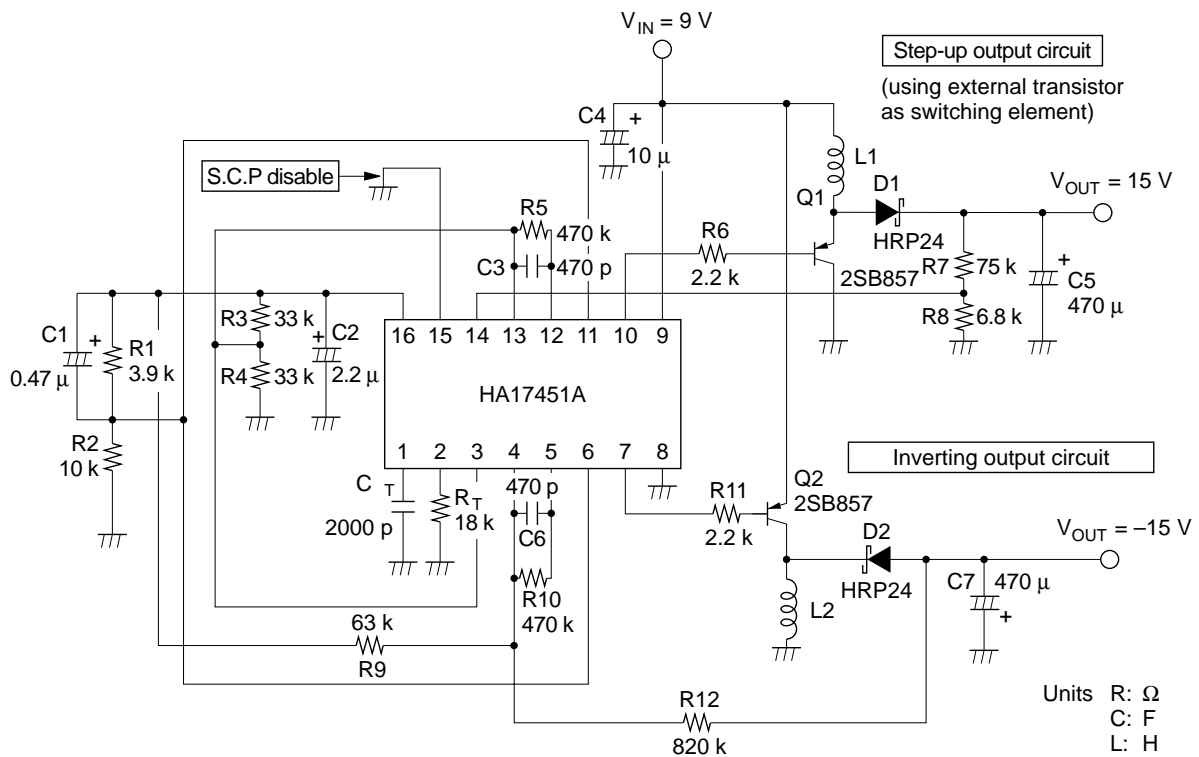
Notes: Voltages shown in diagram are typical values.

## Typical System Configurations

- Dual-output DC/DC converter



Step-up output circuit  
(using transistor in IC as switching element)

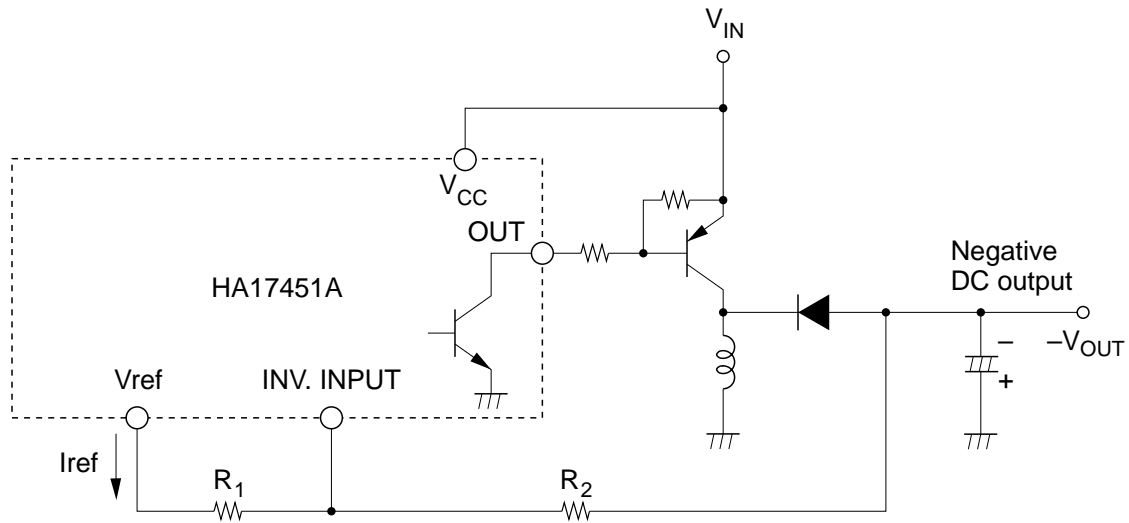


Units R:  $\Omega$   
C: F  
L: H

**Precautions**

Precaution concerning inverting (negative voltage) output

Circuit diagram

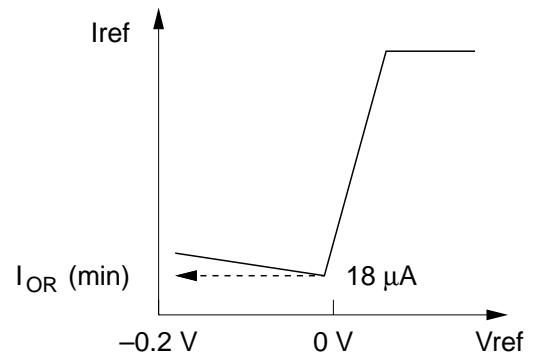


Conditions

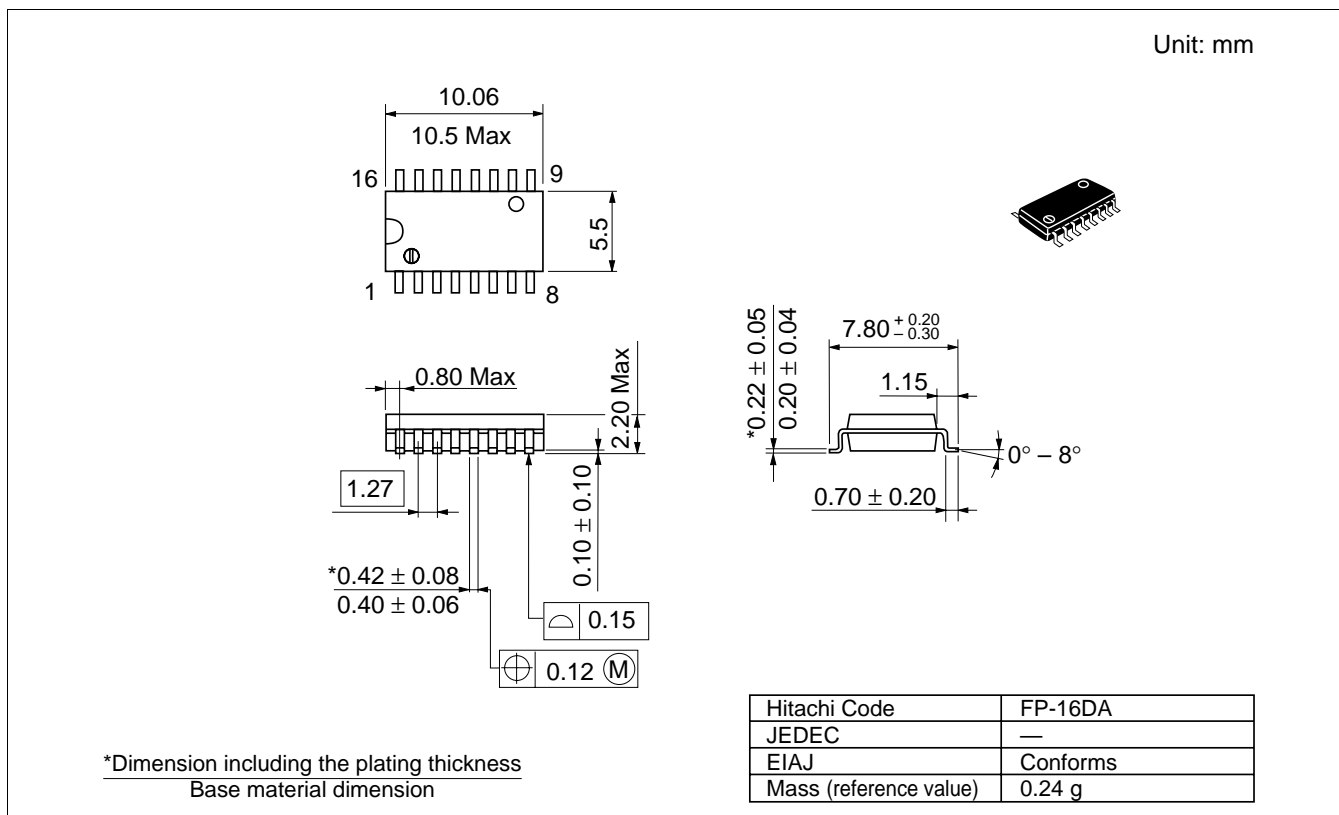
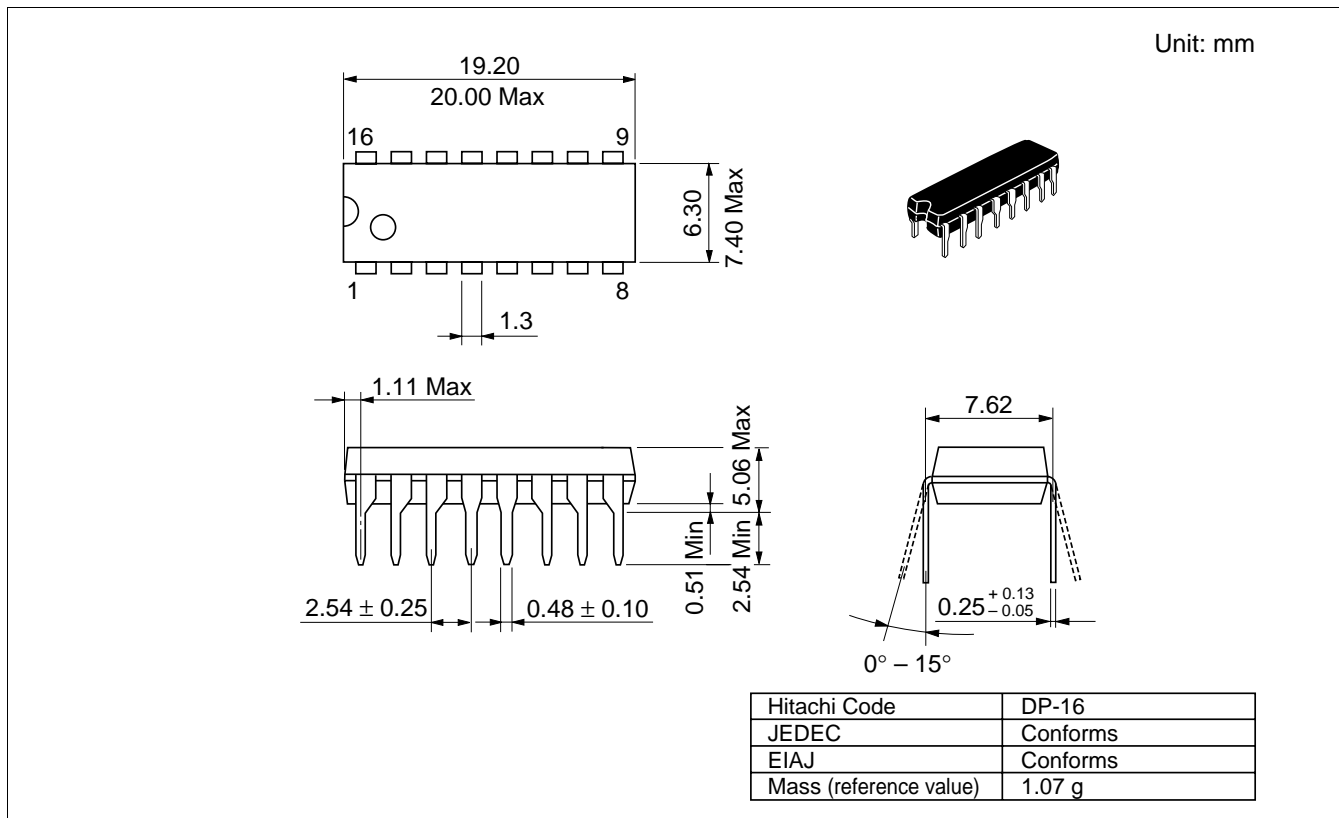
To prevent leakage current in the IC from interfering with stable and efficient operation, choose  $R_1$  and  $R_2$  values that satisfy the following condition:

$$R_1 + R_2 > \frac{|V_{OUT}| V}{18 \mu A}$$

where,  $R_1, R_2$ : Feedback voltage resistors  
 $|V_{OUT}|$ : Absolute value of negative output voltage  
 $18 \mu A$ : Minimum current with negative voltage at reference voltage pin;  $I_{OR}(\min)$



## Package Dimensions



**Cautions**

1. Hitachi neither warrants nor grants licenses of any rights of Hitachi's or any third party's patent, copyright, trademark, or other intellectual property rights for information contained in this document. Hitachi bears no responsibility for problems that may arise with third party's rights, including intellectual property rights, in connection with use of the information contained in this document.
2. Products and product specifications may be subject to change without notice. Confirm that you have received the latest product standards or specifications before final design, purchase or use.
3. Hitachi makes every attempt to ensure that its products are of high quality and reliability. However, contact Hitachi's sales office before using the product in an application that demands especially high quality and reliability or where its failure or malfunction may directly threaten human life or cause risk of bodily injury, such as aerospace, aeronautics, nuclear power, combustion control, transportation, traffic, safety equipment or medical equipment for life support.
4. Design your application so that the product is used within the ranges guaranteed by Hitachi particularly for maximum rating, operating supply voltage range, heat radiation characteristics, installation conditions and other characteristics. Hitachi bears no responsibility for failure or damage when used beyond the guaranteed ranges. Even within the guaranteed ranges, consider normally foreseeable failure rates or failure modes in semiconductor devices and employ systemic measures such as fail-safes, so that the equipment incorporating Hitachi product does not cause bodily injury, fire or other consequential damage due to operation of the Hitachi product.
5. This product is not designed to be radiation resistant.
6. No one is permitted to reproduce or duplicate, in any form, the whole or part of this document without written approval from Hitachi.
7. Contact Hitachi's sales office for any questions regarding this document or Hitachi semiconductor products.

# HITACHI

**Hitachi, Ltd.**

Semiconductor & Integrated Circuits.  
 Nippon Bldg., 2-6-2, Ohte-machi, Chiyoda-ku, Tokyo 100-0004, Japan  
 Tel: Tokyo (03) 3270-2111 Fax: (03) 3270-5109

URL           North America       : <http://semiconductor.hitachi.com/>  
                   Europe                : <http://www.hitachi-eu.com/hel/ecg>  
                   Asia (Singapore)     : <http://www.has.hitachi.com.sg/grp3/sicd/index.htm>  
                   Asia (Taiwan)         : [http://www.hitachi.com.tw/E/Product/SICD\\_Frame.htm](http://www.hitachi.com.tw/E/Product/SICD_Frame.htm)  
                   Asia (HongKong)     : <http://www.hitachi.com.hk/eng/bo/grp3/index.htm>  
                   Japan                   : <http://www.hitachi.co.jp/Sicd/indx.htm>

**For further information write to:**

Hitachi Semiconductor  
 (America) Inc.  
 179 East Tasman Drive,  
 San Jose, CA 95134  
 Tel: <1> (408) 433-1990  
 Fax: <1>(408) 433-0223

Hitachi Europe GmbH  
 Electronic components Group  
 Dornacher Straße 3  
 D-85622 Feldkirchen, Munich  
 Germany  
 Tel: <49> (89) 9 9180-0  
 Fax: <49> (89) 9 29 30 00

Hitachi Europe Ltd.  
 Electronic Components Group.  
 Whitebrook Park  
 Lower Cookham Road  
 Maidenhead  
 Berkshire SL6 8YA, United Kingdom  
 Tel: <44> (1628) 585000  
 Fax: <44> (1628) 778322

Hitachi Asia Pte. Ltd.  
 16 Collyer Quay #20-00  
 Hitachi Tower  
 Singapore 049318  
 Tel: 535-2100  
 Fax: 535-1533

Hitachi Asia Ltd.  
 Taipei Branch Office  
 3F, Hung Kuo Building, No.167,  
 Tun-Hwa North Road, Taipei (105)  
 Tel: <886> (2) 2718-3666  
 Fax: <886> (2) 2718-8180

Hitachi Asia (Hong Kong) Ltd.  
 Group III (Electronic Components)  
 7/F., North Tower, World Finance Centre,  
 Harbour City, Canton Road, Tsim Sha Tsui,  
 Kowloon, Hong Kong  
 Tel: <852> (2) 735 9218  
 Fax: <852> (2) 730 0281  
 Telex: 40815 HITEC HX

Copyright ' Hitachi, Ltd., 1998. All rights reserved. Printed in Japan.

# HITACHI