

Americas

147 Central Avenue
Hackensack, NJ 07601
(201) 489-8989
www.cml-it.com

Europe

Robert Bunsen Str. 1
D-67098 Bad Durkheim
+49 (6322) 9567-0
www.cml-it.com

CMDA37 Series Power LED (2.5 Watt) on Star PCB
CMDA38 Series Power LED (2.5 Watt) on Square PCB

- Features

- Super high flux output and high luminance
- Designed for high current operation
- Low thermal resistance
- SMT solder compatible
- Lead (Pb) Free Product – RoHS Compliant

- Applications

- General Illumination
 - Outdoor & Indoor Architectural Lighting
 - Decorative Lighting
 - Portable Lighting / Flash Light (Torch) Lamps
 - Reading Lamps and Task Lighting
 - Traffic Signaling

- Description

These packaged LED's on metal PCB's are designed for high current operation and high flux output applications. The package design features better thermal management characteristics than other LED solutions. Because of these advantages, this product has many applications such as internal & external lighting, automobile lighting, large size LCD backlight, etc.



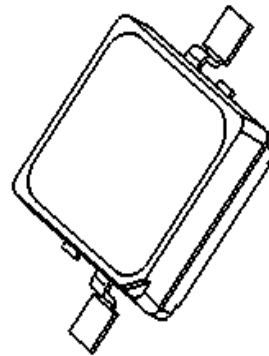
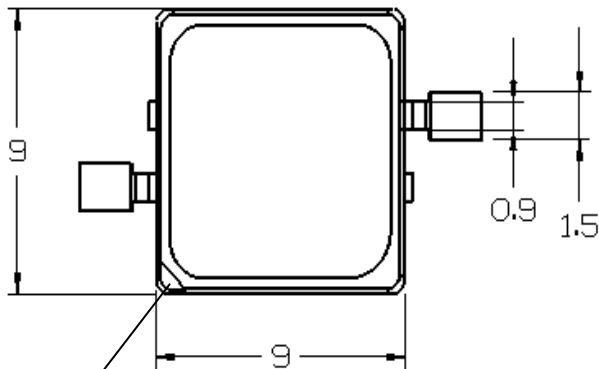
Americas

147 Central Avenue
Hackensack, NJ 07601
(201) 489-8989
www.cml-it.com

Europe

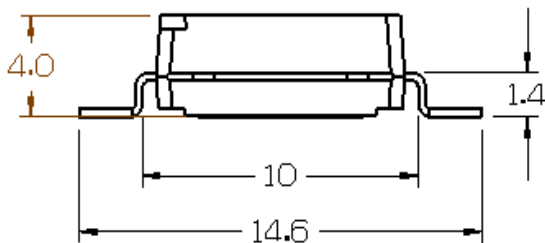
Robert Bunsen Str. 1
D-67098 Bad Durkheim
+49 (6322) 9567-0
www.cml-it.com

1. Outline Dimensions

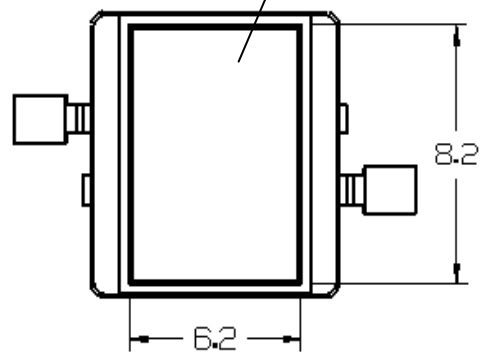


Isometric view
Scale: None

Cathode
Mark



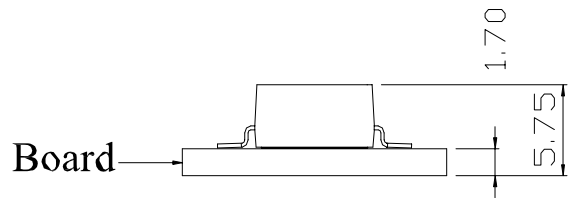
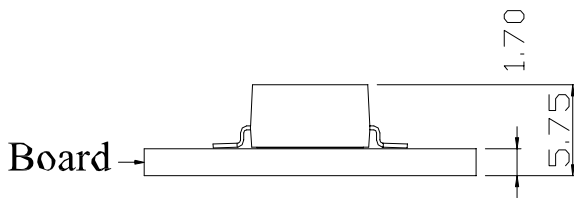
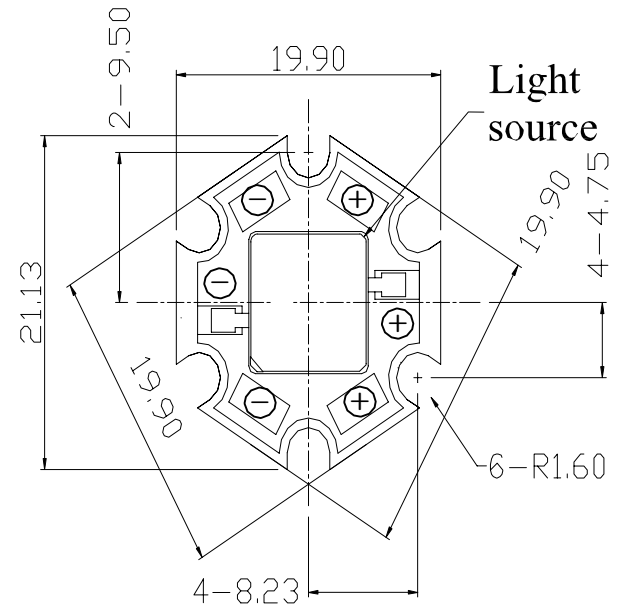
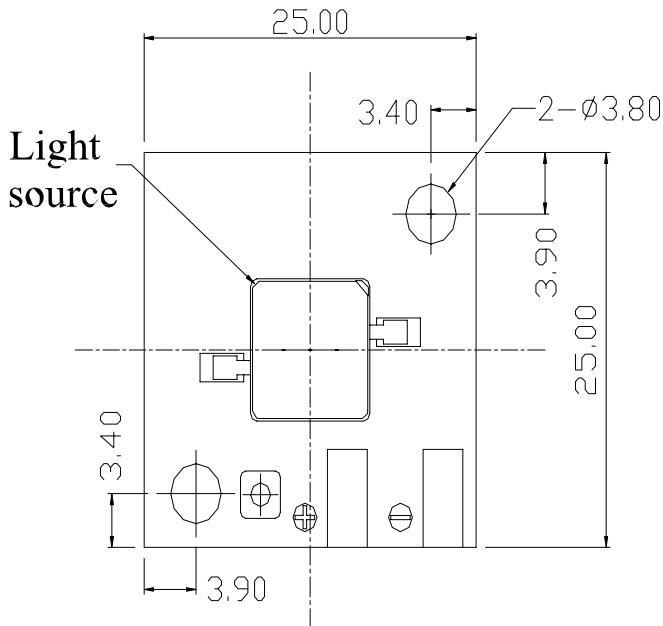
Slug (+)



Rear view

- Notes : 1. All dimensions are in millimeters.
2. Scale : none
3. This drawing is reference only for engineering

2. Metal Outline Dimensions



CMDA38xx15D13L
Square Configuration

CMDA37xx15D13L
Star Configuration

- Note : 1. All dimensions are in millimeters
 2. Scale : none
 3. This drawing is reference only engineering.

Americas
 147 Central Avenue
 Hackensack, NJ 07601
 (201) 489-8989
www.cml-it.com

Europe
 Robert Bunsen Str. 1
 D-67098 Bad Durkheim
 +49 (6322) 9567-0
www.cml-it.com

3. Electro-Optical Characteristics (at IF=350mA, TA=25°C)
CMDA37xx15D13L Star PCB series

P/N	Description	Luminous Flux Min./Typ. (lm)	Correlated Color Temperature (Kelvin)	CRI	Dominant Wavelength (nm) Min./Typ./Max.	Forward Voltage (volts) Min./Typ./Max.	View Angle (degrees)	Thermal resistance (°C /W)
	Symbol	ΦV [1]	CCT [3]	Ra	λD	V	2θ 1/2	Rθ [4]
CMDA37CW15D13L	Pure White	70 / 103	6500	76		3.0 / 3.4 / 4.3	110	9.1
CMDA37WW15D13L	Warm White	54 / 60	3000	76		3.0 / 3.4 / 4.3	110	9.1
CMDA37CB15D13L	Blue	14 / 18			455 / 460 / 475	3.0 / 3.4 / 4.3	130	9.1
CMDA37AG15D13L	Green	54 / 93			520 / 527 / 535	3.0 / 3.4 / 4.3	130	9.1
CMDA37AR15D13L	Red	54 / 60			620 / 625 / 630	2.0 / 2.5 / 3.0	128	13
CMDA37GB15D13L	Cyan	54 / 78			500 / 505 / 510	3.0 / 3.4 / 4.3	130	9.1
CMDA37DY15D13L	Amber	54 / 75			585 / 590 / 595	2.0 / 2.5 / 3.0	128	13

4. Absolute Maximum Ratings (at TA=25°C)

P/N	Description	Forward Current (A)	Power Dissipation (Watts)	Junction Temperature (°C)	Operating Temperature (°C)	Storage Temperature (°C)
	Symbol	I _F	P _D	T _J	T _{opr}	T _{stg}
CMDA37CW15D13L	Pure White	0.8	3.2	125	-30~+85	-40~+120
CMDA37WW15D13L	Warm White	0.8	3.2	125	-30~+85	-40~+120
CMDA37CB15D13L	Blue	0.8	3.2	125	-30~+85	-40~+120
CMDA37AG15D13L	Green	0.8	3.2	125	-30~+85	-40~+120
CMDA37AR15D13L	Red	0.8	2.4	100	-30~+85	-40~+120
CMDA37GB15D13L	Cyan	0.8	3.9	125	-30~+85	-40~+120
CMDA37DY15D13L	Amber	0.8	2.4	100	-30~+85	-40~+120

***Notes:**

[1] ΦV is the total luminous flux output as measured with an integrating sphere.

[2] Zener diode chip included to protect the LED from ESD.

[3] Rθ is measured with a metal core PCB (25 °C ≤ T_J ≤ 125 °C).

[4] CML maintains a tolerance of ± 10% on flux and power measurements.

[5] CCT ± 5% tester tolerance.

[6] Color Coordinate Measurement allowance is ± 0.005

[7] A tolerance of ± 0.006V on forward voltage measurements

-----**Caution**-----

Please do not drive at rated current more than 5 sec. without proper heat sink

Americas
 147 Central Avenue
 Hackensack, NJ 07601
 (201) 489-8989
www.cml-it.com

Europe
 Robert Bunsen Str. 1
 D-67098 Bad Durkheim
 +49 (6322) 9567-0
www.cml-it.com

5. Electro-Optical Characteristics (at IF=350mA, TA=25°C)
CMDA38xx15D13L Square PCB series

P/N	Description	Luminous Flux Min./Typ. (lm)	Correlated Color Temperature (Kelvin)	CRI	Dominant Wavelength (nm) Min./Typ./Max.	Forward Voltage (volts) Min./Typ./Max.	View Angle (degrees)	Thermal resistance (°C /W)
	Symbol	ΦV [1]	CCT [3]	Ra	λD	V	2θ 1/2	Rθ [4]
CMDA38CW15D13L	Pure White	70 / 103	6500	76		3.0 / 3.4 / 4.3	110	9.1
CMDA38WW15D13L	Warm White	54 / 60	3000	76		3.0 / 3.4 / 4.3	110	9.1
CMDA38CB15D13L	Blue	14 / 18			455 / 460 / 475	3.0 / 3.4 / 4.3	130	9.1
CMDA38AG15D13L	Green	54 / 93			520 / 527 / 535	3.0 / 3.4 / 4.3	130	9.1
CMDA38AR15D13L	Red	54 / 60			620 / 625 / 630	2.0 / 2.5 / 3.0	128	13
CMDA38GB15D13L	Cyan	54 / 78			500 / 505 / 510	3.0 / 3.4 / 4.3	130	9.1
CMDA38DY15D13L	Amber	54 / 75			585 / 590 / 595	2.0 / 2.5 / 3.0	128	13

6. Absolute Maximum Ratings (at TA=25°C)

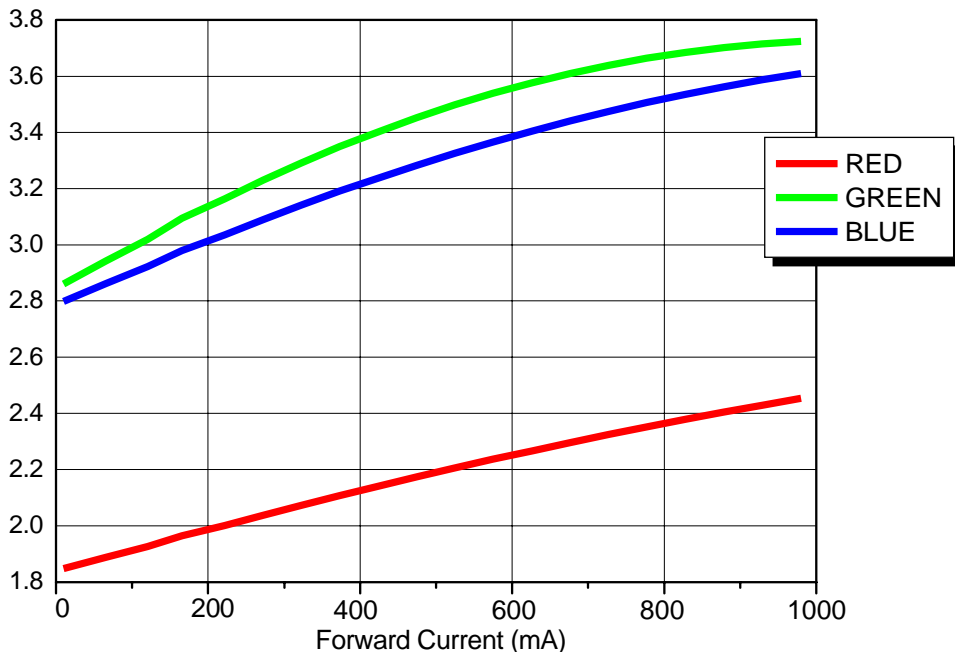
P/N	Description	Forward Current (A)	Power Dissipation (Watts)	Junction Temperature (°C)	Operating Temperature (°C)	Storage Temperature (°C)
	Symbol	I _F	P _D	T _J	T _{opr}	T _{stg}
CMDA38CW15D13L	Pure White	0.8	3.2	125	-30~+85	-40~+120
CMDA38WW15D13L	Warm White	0.8	3.2	125	-30~+85	-40~+120
CMDA38CB15D13L	Blue	0.8	3.2	125	-30~+85	-40~+120
CMDA38AG15D13L	Green	0.8	3.2	125	-30~+85	-40~+120
CMDA38AR15D13L	Red	0.8	2.4	100	-30~+85	-40~+120
CMDA38GB15D13L	Cyan	0.8	3.9	125	-30~+85	-40~+120
CMDA38DY15D13L	Amber	0.8	2.4	100	-30~+85	-40~+120

***Notes:**

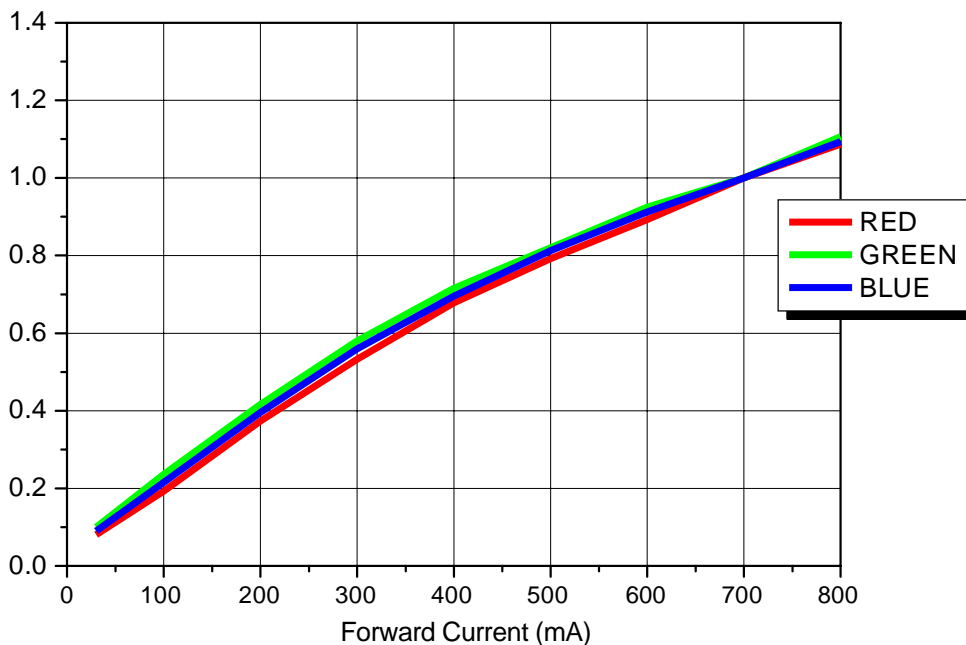
- [1] ΦV is the total luminous flux output as measured with an integrating sphere.
- [2] Zener diode chip included to protect the LED from ESD.
- [3] Rθ is measured with a metal core PCB (25 °C ≤T_J ≤ 125 °C).
- [4] CML maintains a tolerance of ± 10% on flux and power measurements.
- [5] CCT ± 5% tester tolerance.
- [6] Color Coordinate Measurement allowance is ± 0.005
- [7] A tolerance of ± 0.006V on forward voltage measurements

-----**Caution**-----
 Please do not drive at rated current more than 5 sec. without proper heat sink

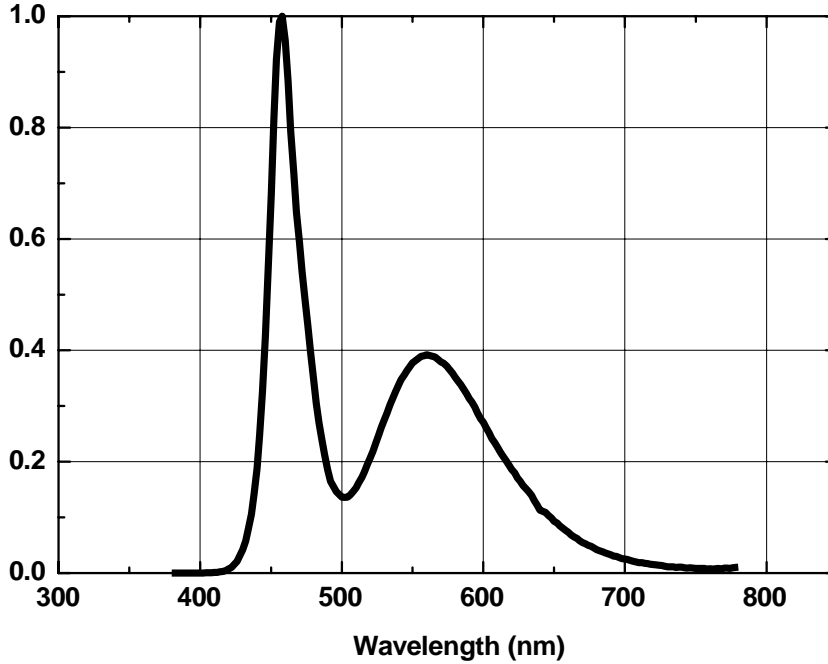
7. Forward Voltage vs. Forward Current (Ta=25°C)



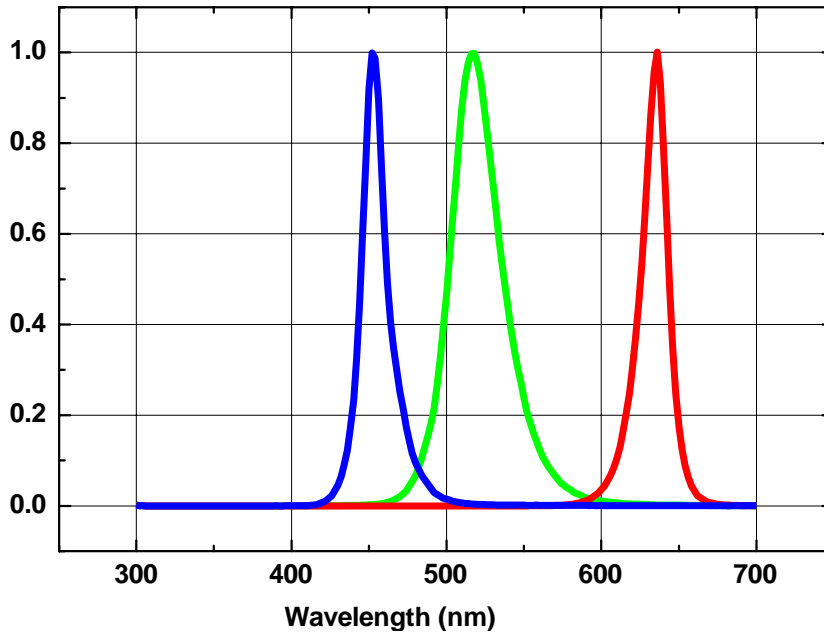
8. Forward Current vs. Normalized Relative Luminous Flux (Ta=25°C)



9. White Color spectrum of Typical CCT (Ta=25°C)



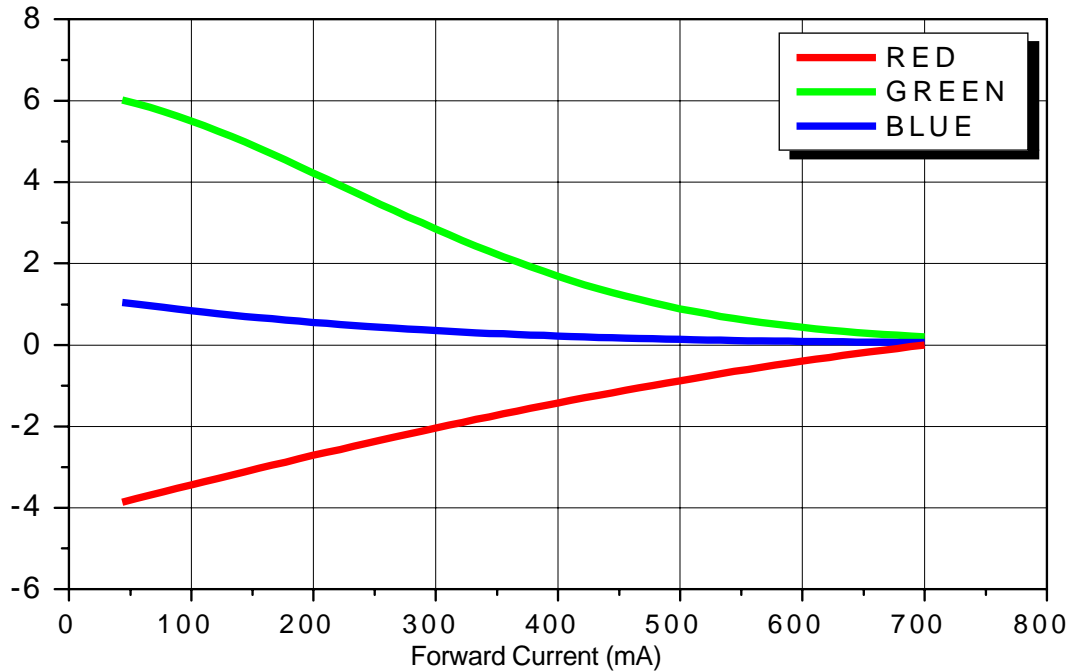
10. Wavelength Curve for Red, Green, Blue



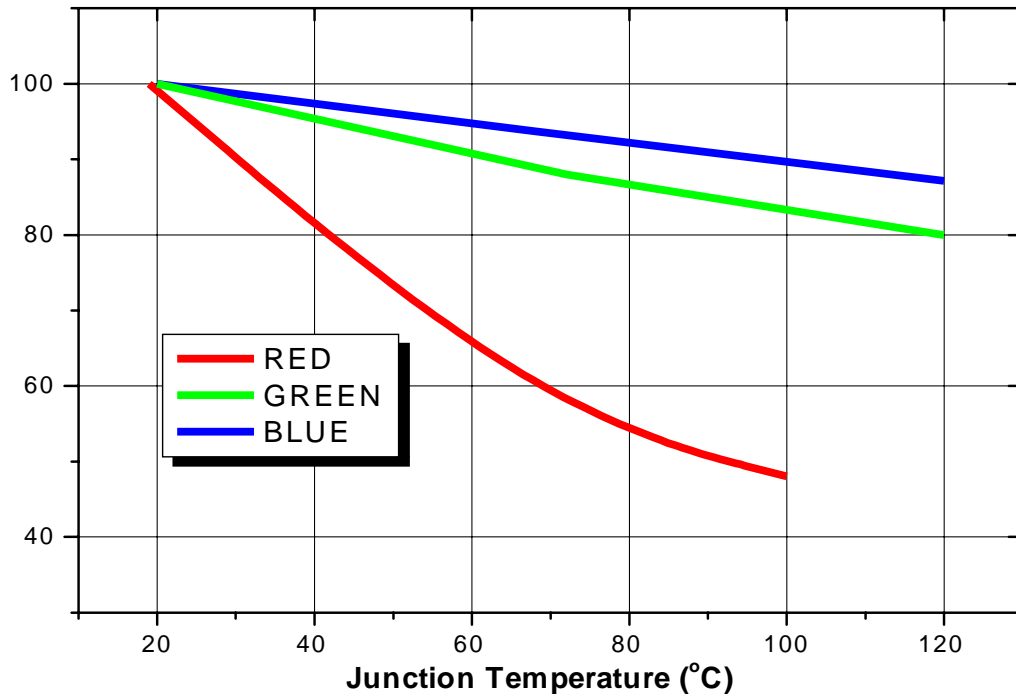
Americas
147 Central Avenue
Hackensack, NJ 07601
(201) 489-8989
www.cml-it.com

Europe
Robert Bunsen Str. 1
D-67098 Bad Durkheim
+49 (6322) 9567-0
www.cml-it.com

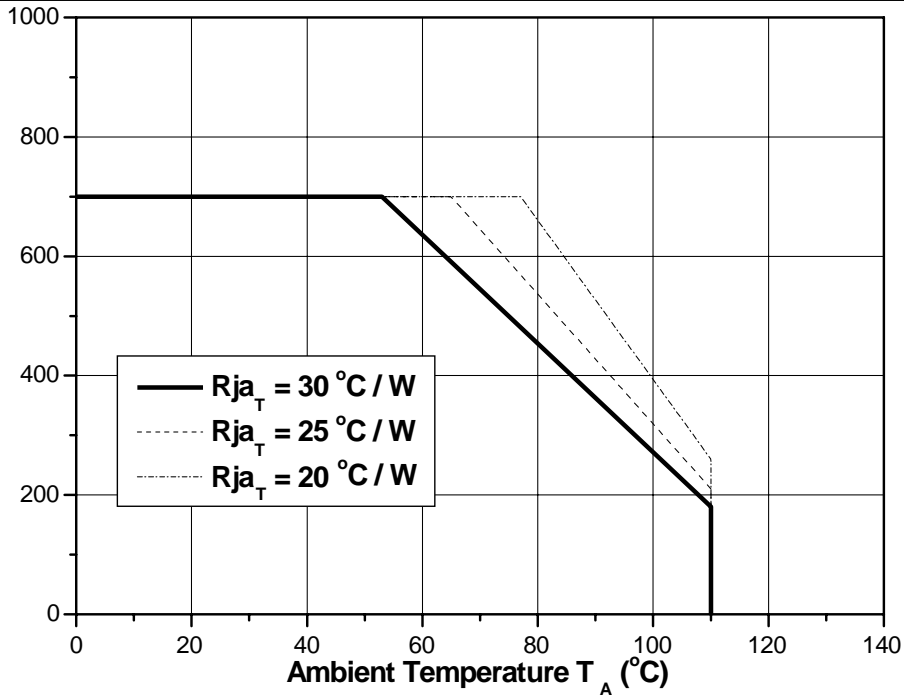
12. Forward Current vs. Wavelength shift ($T_a=25^\circ\text{C}$)



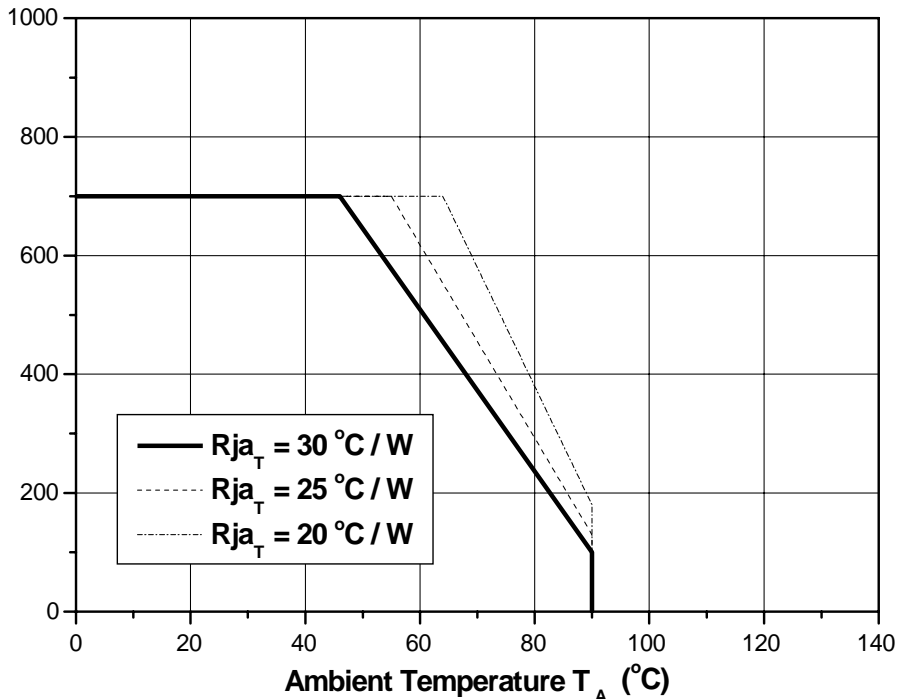
13. Temperature of Junction vs. Relative Light Output for Blue, Green, Red ($T_a=25^\circ\text{C}$)



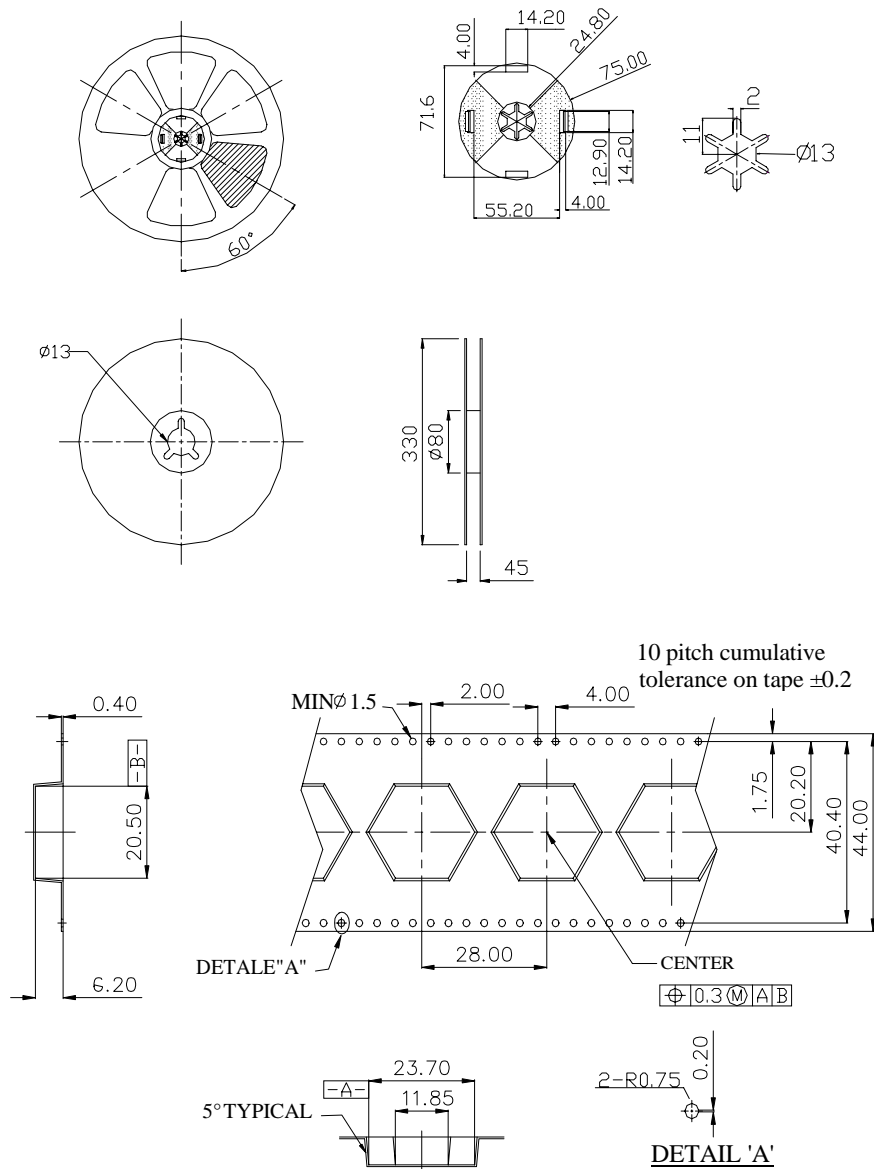
14. Ambient Temperature vs. Allowable Forward Current for 2 chip White, Blue, Green, Cyan



15. Ambient Temperature vs. Allowable Forward Current for 2 chip Red,

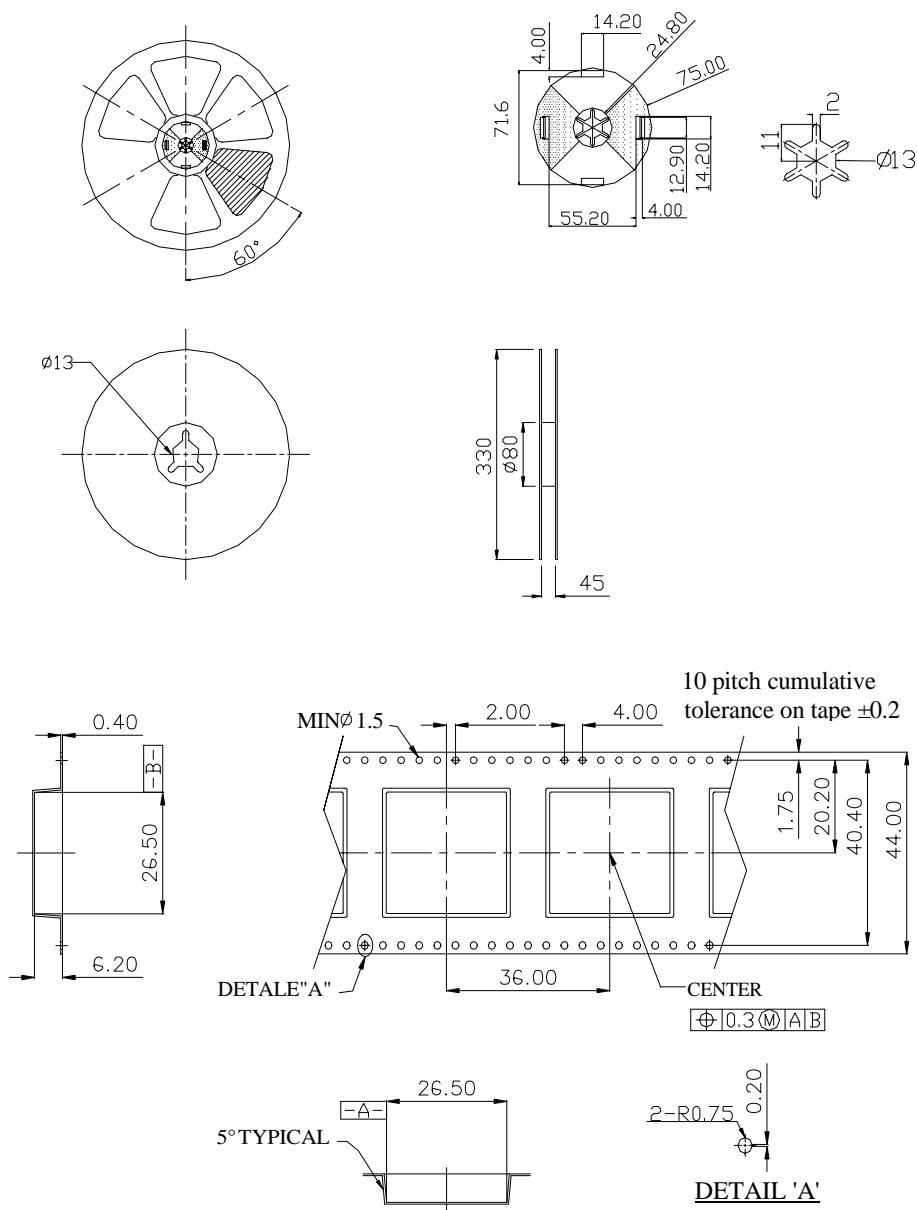


16. Reel Packaging Dimensions (Star type)



- Note : 1. The number of loaded products in the reel is 350ea
 2. All dimensions are in millimeters
 3. Scale : none
 4. This drawing is reference only engineering

17. Reel Packaging Dimensions (Square type)



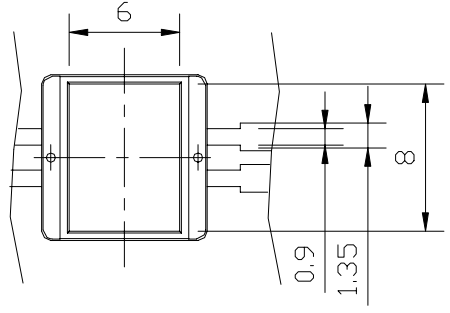
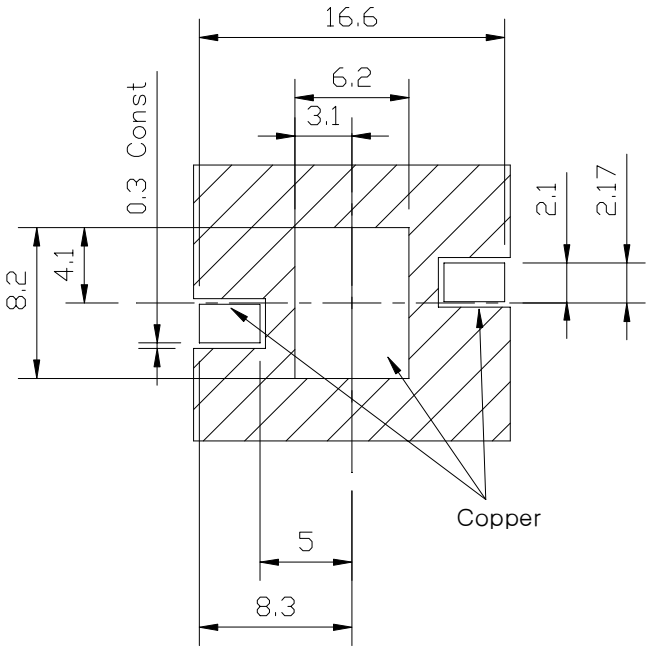
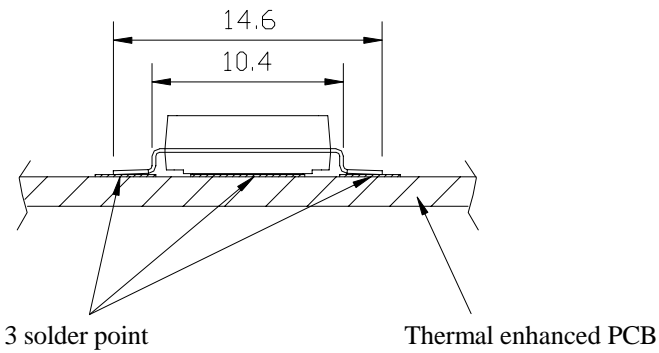
Note : 1. The number of loaded products in the reel is 200ea

2. All dimensions are in millimeters

3. Scale is none

4. This is drawing is reference only engineering

18. Recommended solder pad



<Rear view>

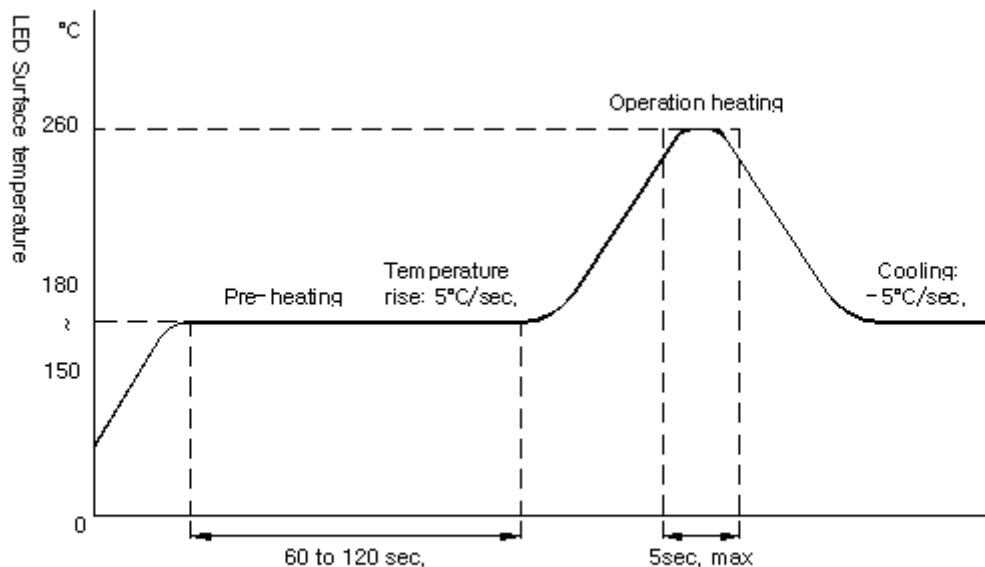


Americas
 147 Central Avenue
 Hackensack, NJ 07601
 (201) 489-8989
www.cml-it.com

Europe
 Robert Bunsen Str. 1
 D-67098 Bad Durkheim
 +49 (6322) 9567-0
www.cml-it.com

19. Soldering Profile

- (1) Reflow Soldering Conditions / Profile
Preliminary heating to be at 180°Cmax. for 2 minutes max.
Soldering heat to be at 260°Cmax. for 5 seconds max.



- (2) Hand Soldering conditions
-Lead : Not more than 3 seconds @MAX280°C, under Soldering iron.

Should soldered products be reused during the soldering process, CML-IT voids all liability on the SMT LED units.



Americas
147 Central Avenue
Hackensack, NJ 07601
(201) 489-8989
www.cml-it.com

Europe
Robert Bunsen Str. 1
D-67098 Bad Durkheim
+49 (6322) 9567-0
www.cml-it.com