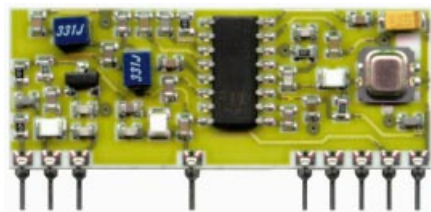


RRS3-XXX

AM Superhet Receiver With PreAmp Front End Filter



General description

The RRS3-XXX is an AM superhet data receiver with pre-Amplifier front end filter.

IF Frequency: 500KHz

Typical sensitivity: -106 dBm

Supply current: 5 mA (typ)

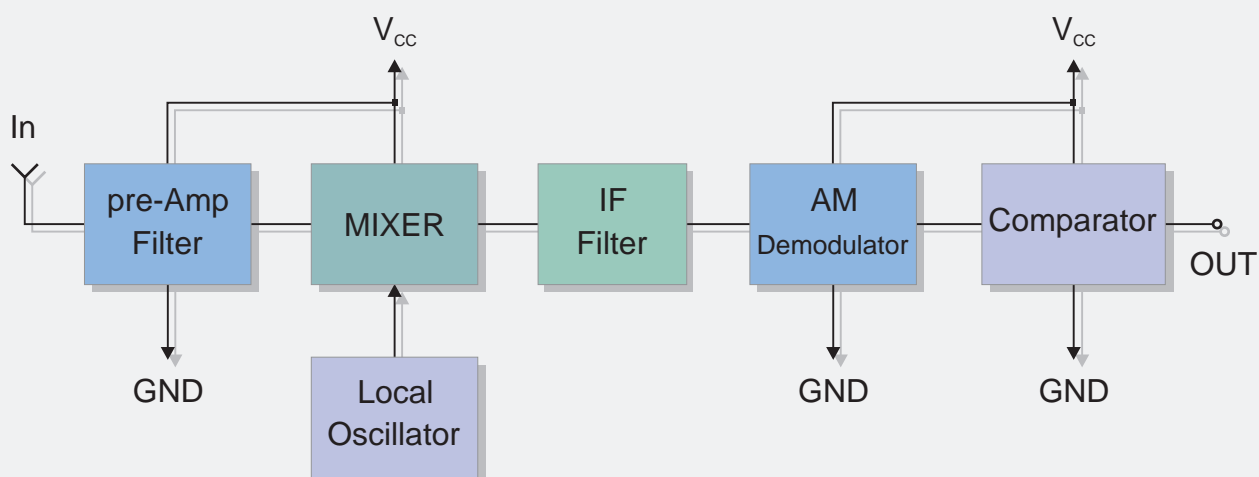
I-ETS 300-220 Compliance

XXX: custom-specified working frequency
(315, 418, 433.92 MHz)

Applications

- Wireless security systems
- Car Alarm systems
- Remote gate controls
- Sensor reporting

BLOCK DIAGRAM



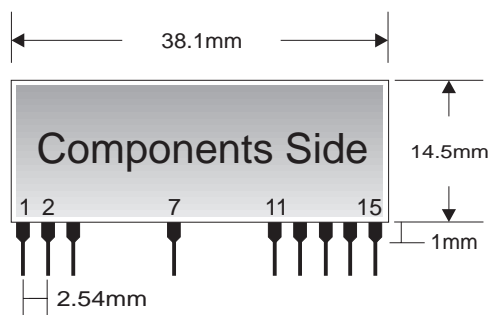
Electrical Characteristics

Ta = 25°C unless otherwise specified

CHARACTERISTICS		MIN	TYP	MAX	UNIT
V _{CC}	Supply Voltage	4.5	5	5.5	VDC
I _S	Supply Current		5	6	mA
F _R	Receiver Frequency		433.92		MHz
	RF Sensitivity (100% AM)		-106		dBm
B _w	-3dB Bandwidth		±400		KHz
	Max Data Rate			3	KHz
	Level of Emitted Spectrum		-70	-65	dBm
V _{ol}	Low-Level Output Voltage (I=-200uA)			0.6	V
V _{oh}	High-Level Output Voltage (I=10uA)	V _{CC} - 0.5			V
T _{OP}	Operating Temperature Range	-25		+80	°C

Pin Description

1	V _{CC}	9	NC
2	GND	10	NC
3	IN	11	GND
4	NC	12	NC
5	NC	13	NC
6	NC	14	OUT
7	GND	15	V _{CC}
8	NC		

Mechanical Dimensions**TYPICAL APPLICATION**