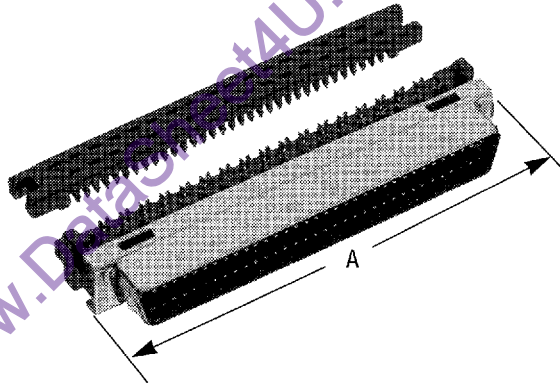


## Shielded Male Cable Connector

PCS-XE ( ) M ( )

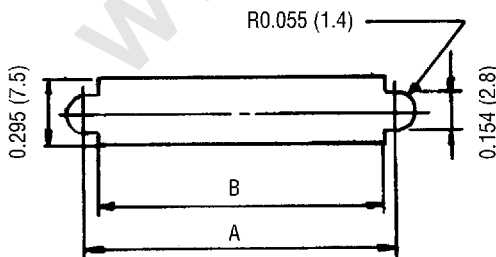


Part No.	Cable Size
PCS-XE ( ) M	#28 AWG (7/0.127-7/0.005) #30 AWG (1/0.254-1/0.010) JACKET O.D. 0.8 (0.031) - 1.0 (0.039)
PCS-XE ( ) MA	#28 AWG (7/0.127-7/0.005) #30 AWG (1/0.254-1/0.010) JACKET O.D. 0.5 (0.020) - 0.65 (0.026)
PCS-XE ( ) MB	#30 AWG (7/0.1-7/0.004) JACKET O.D. 0.5 (0.020) - 0.65 (0.026)
PCS-XE ( ) MC	#28 AWG (7/0.127-7/0.005) #30 AWG (1/0.254-1/0.010) Flat Cable
PCS-XE ( ) ME	#30 AWG (7/0.1-7/0.004) Flat Cable

No. of Contacts	Part No.	A
26	PCS-XE26M ( )	1.002 (25.46)
50	PCS-XE50M ( )	1.602 (40.7)
68	PCS-XE68M ( )	2.051 (52.1)
100	PCS-XE100M ( )	2.85 (72.4)

See page 8 for Back Shell Kits & Termination Tools.

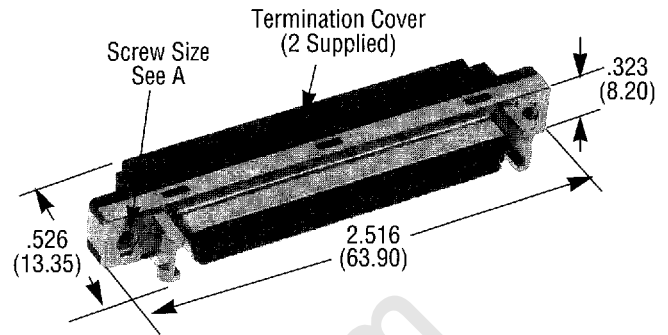
## Panel Mounting Hole



No. of Contacts	A	B
26	1.228 (31.2)	1.083 (27.5)
50	1.832 (46.5)	1.686 (42.8)
68	2.281 (57.9)	2.135 (54.2)

## Shielded Panel Mount Female For 25 Mil Cable

PCS-XED 68 RF ( ) ( ) G1



Part No.	Cable Size
PCS-XED68RFB ( ) G1	AWG #32 (7/0.08=7/0.003)
PCS-XED68RFA ( ) G1	AWG #30 (7/0.1=7/0.004)
PCS-XED68RF ( ) G1	AWG #28 (7/0.127=7/0.005)

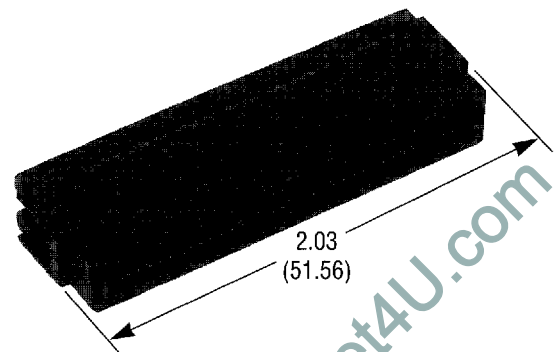
Part No.	A
PCS-XED68RF ( ) U2G1	#2 -5 6 UNC
PCS-XED68RF ( ) UG1	#4 -4 0 UNC
PCS-XED68RF ( ) G1	M2.5X0.45

Note: Without Latch Blocks add "N" Before "G"  
i.e. PCS-XED 68RF ( ) ( ) NG1

Termination Tooling: RPS-K4 Press  
MLPT-0004A Plate

## Unshielded Plug Cable Connector For 25 Mil Cable

PCS-D68 RMAIG1



Note: Contact factory for termination tooling information.

Termination Tooling: RPS-K4 Press  
MLPT-0003A Plate

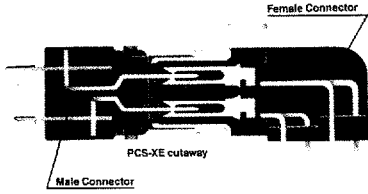
# Honda Connectors

# PCS-XE Series

SHIELDED

.050 SERIES CONNECTORS

.050 X .100 (1.27 X 2.54) CENTERLINE



## Product Information:

- The PCS-XE series connector is approved by ANSI (American National Standards Institute) as the standard interface for SCSI-II (Small Computer System Interface). Also compatible with EIA RS-232 Alternate, HSC (High Speed Standard) IPI (Intelligent Peripheral Interface) standards and HiPPI.
- High density (.050 [1.27mm] spacing) board-to-cable connector with 26, 50, 68 or 100 contacts as standard.
- Cable connection is IDC type, which allows labor saving termination with Honda tooling.
- Compatible wire sizes include #28AWG (7/0.127), #30AWG (1/0.254 and #30AWG (7/0.1).
- Designed to control EMI to meet FCC and other standards.
- The connector cable cover (back shell) is made of sturdy die cast. Mating is assured by locking clips housed in the connector back shell.
- A full line of Active and Passive Terminators available; designed to ANSI recommended specifications. Fully compatible with all SCSI II Devices. Contact Factory for Details.

## SPECIFICATIONS:

Rated Current	1 Amp
Rated Voltage	250 Volts AC (RMS)
Insulation Resistance	More than 1000 Megohms (at 0.39 250 Volts DC)
Withstanding Voltage	500 Volts AC (RMS), one minute
Contact Resistance	Less than 35 milliohms (including conductor resistance)
Operating Temperature	-67.F to +221.F (-55.C to +105.C)
Standard Board Thickness	0.063" (1.6mm)
Throughhole Diameter	0.032" (0.8mm)

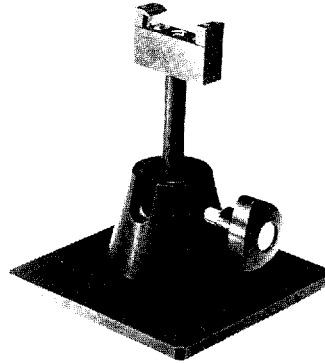
## MATERIAL AND FINISH

*Contact	Phosphor Bron	Contact area gold-plating over nickel; termination area tin.
Insulator	PBT resin (GF)	UL94V-O Black
Shell	Steel	Nickel-plated

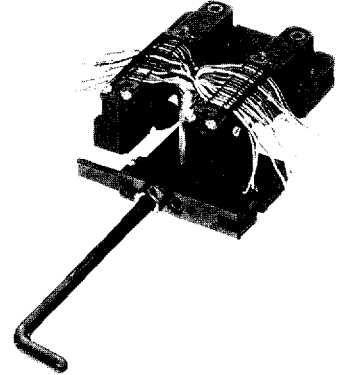
\*G1 deviation for .000030 (0.00076) Min gold on mating area.

## PCS-XE Termination Tooling

### Wiring Tools

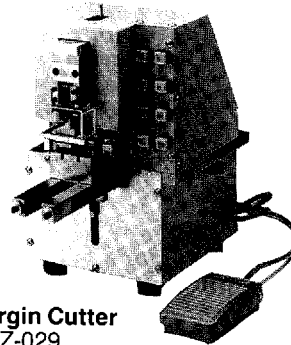


**Wire Sorting Cassette Mount**  
JGPS-014

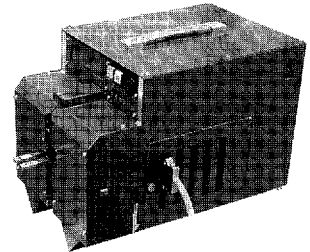


**Wire Sorting Cassette**  
JGPS-015-1/1 ( )

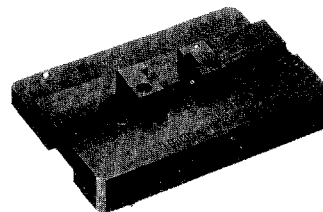
\* insert number of contacts;  
e.g. 26, 50, 68, 100



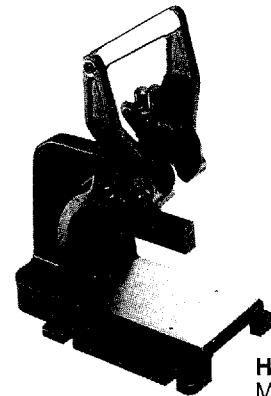
**Margin Cutter**  
EMZ-029  
for 20 to 68 contacts  
EMZ-029N  
for 50 to 100 contacts



**Portable Termination Machine**  
FHM-1A



**IDC Locator**  
PCS-K1  
for Cable Connectors  
PCS-K5  
for Panel Mount Connectors



**Hand Press**  
MFC-K1

## HONDA CONNECTORS

960 Corporate Woods Pkwy.

Vernon Hills, IL 60061

Tel: 708-913-9566 • Fax: 708-913-9587

Irvine, CA  
Tel: 714-852-0424  
Fax: 714-852-0872

Mountain View, CA  
Tel: 415-968-2111/2174  
Fax: 415-968-6206

Durham, NC  
Tel: 919-490-9790  
Fax: 919-490-9791

Endicott, NY  
Tel: 607-786-3560  
Fax: 607-786-3561

Garland, TX  
Tel: 214-272-6279  
Fax: 214-487-2183

Swindon, England  
Tel: 01793 523388  
Fax: 01793-521777