

IDC TYPE MALE PANEL MOUNTING CABLE CONNECTOR

Ordering Information

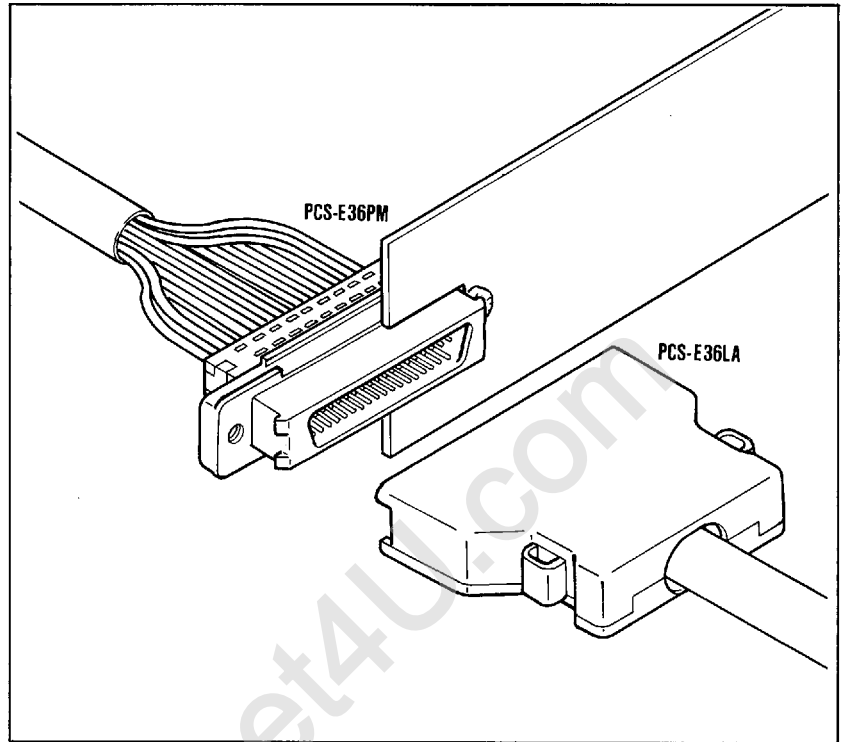
PCS-E()PM-H

- ① ② ③ ④

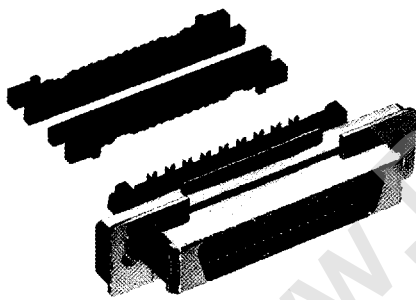
- ① **Series Prefix**
- ② **Number of Contacts:** 20, 28, 36, 50, 68
- ③ **Compatible Cable Size**
 - PM** : #28AWG (7/0.127), #30AWG(1/0.254), IDC for cohesion type cable
 - PMB** : #30AWG(7/0.1), IDC for cohesion type cable
 - PMC** : #28AWG (7/0.127), #30AWG (1/0.254), outside diameter of covering 0.5 to 0.65 mm, IDC for discrete wire
 - PMD** : #30AWG (7/0.1), outside diameter of covering 0.5 to 0.65 mm, IDC for discrete wire

④ **Shape of Panel Mounting Section**

- Blank** : Screw size M2.5
- H** : 2.7mm-dia. through-hole (mounted on PCS-E() PML □.)

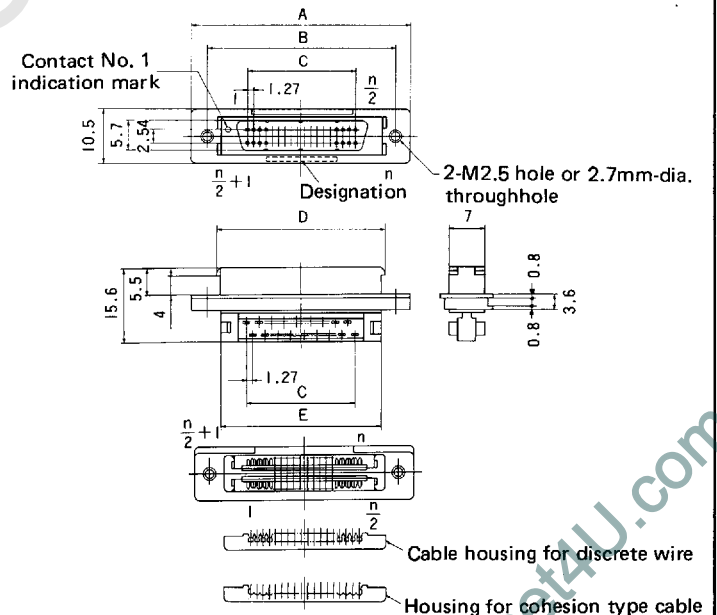


For the board mounting hole pattern, please refer to page 5.



PCS-E36PM

IDC Type Male Panel Mounting Cable Connector
PCS-E()PM/PCS-E()PMB/PCS-E()PMC/PCS-E()PMD
PCS-E()PM-H/PCS-E()PMB-H/PCS-E()PMC-H
PCS-E()PMD-PMD-H



No. of contacts	Part No.	A	B	C	D	E
20	PCS-E20PM, PMB, PMC, PMD PM-H, PMB-H, PMC-H, PMD-H	33.4	27.4	11.48	23.3	21.65
28	PCS-E28PM, PMB, PMC, PMD PM-H, PMB-H, PMC-H, PMD-H	38.5	32.5	16.51	28.4	26.7
36	PCS-E36PM, PMB, PMC, PMD PM-H, PMB-H, PMC-H, PMD-H	43.6	37.6	21.59	33.5	31.8
50	PCS-E50PM, PMB, PMC, PMD PM-H, PMB-H, PMC-H, PMD-H	52.5	46.5	30.48	42.4	40.7
68	PCS-E68PM, PMB, PMC, PMD PM-H, PMB-H, PMC-H, PMD-H	63.9	57.9	41.91	53.8	52.1

HIGH DENSITY CONNECTORS FOR PC BOARDS AND INTERFACES

High Density Connectors (anti-EMI, with lock, for interface)
for Board-to-Board and Board-to-Cable Connection

APPLICATION

The PCS series are high density connectors with 1.27 mm spacings designed to meet the need of connection in miniaturized electronic equipment, such as personal computers, facsimiles, printers and other OA equipments.

FEATURES

Features of the PCS series connectors include the following.

Board-to-board connector

- (1) Available with contacts ranging from 34 to 96, allowing diverse connections of circuits.
- (2) Designed for smooth connection and disconnection with low insertion and extraction force.
- (3) Drain mechanism is provided to drain washing solution out of the housing after flux cleaning.

Board-to-cable connector

- (1) IDC type (press fitting) cable connection is standard, allowing labor saving in connecting operation.
- (2) 28AWG(7/0.127), 38AWG(1/0.254) and 30AWG(7/0.1) wire sizes are available.
- (3) Designed to prevent EMI, in addition to FCC.
- (4) Construction for use in interface connection (cable covering and receptacle shell are made of die casting). A rigid metal spring is used for the connector joint and can be quickly locked.
- (5) Connectors are available with 20 to 96 contacts.

MATERIAL AND FINISH

Board-to-board connector

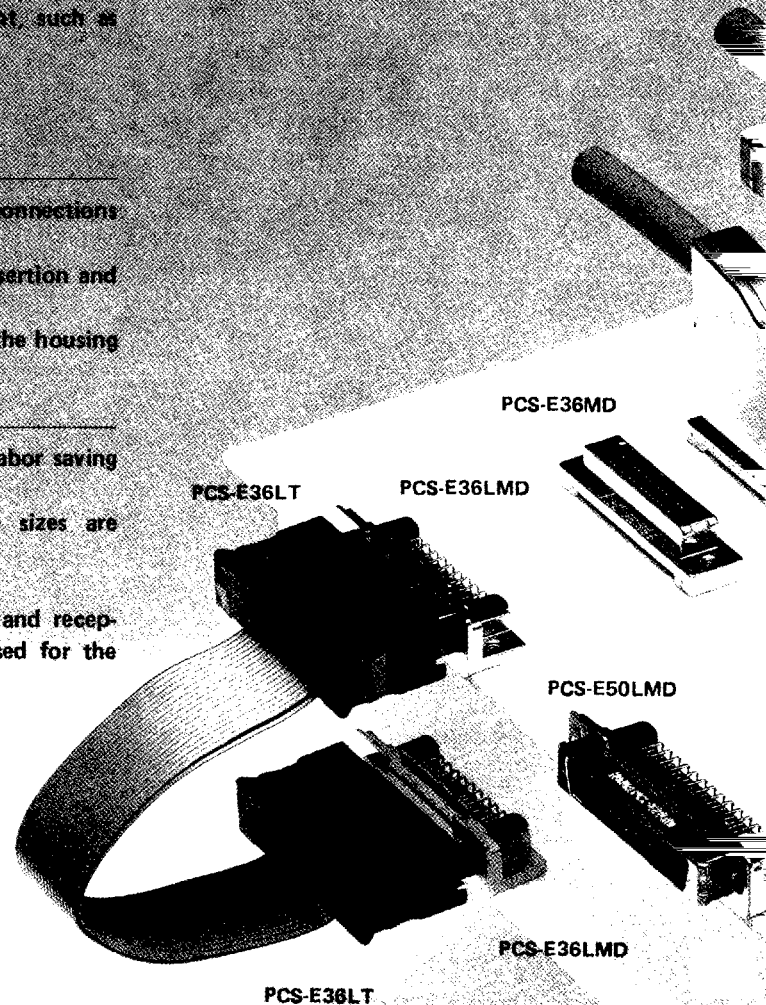
- Pin contact : Phosphor bronze (gold plating over nickel coating, solder plating on contact)
- Socket contact : Phosphor bronze (gold plating over nickel coating, solder plating on contact)
- Insulator : PBT resin (GF) UL94V-0 black

Board-to-cable connector

- Pin contact : Phosphor bronze (gold plating over nickel coating, solder plating on contact)
- Socket contact : Phosphor bronze (gold plating over nickel)
- Insulator : PBT resin (GF) UL94V-0 black
- Cable covering : Zinc die cast (nickel plating under copper)
- Receptacle shell : Zinc die cast (nickel plating under copper)
- Plug shell : Copper (tin plating)
- Lock spring : Stainless steel

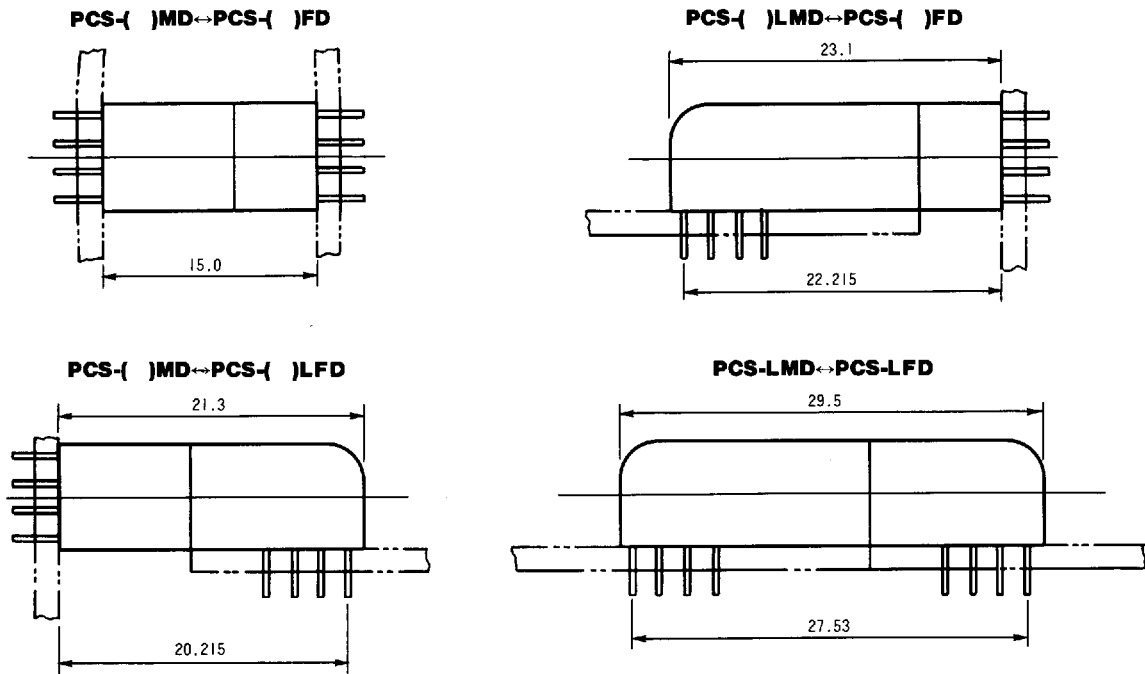
PERFORMANCE

- Rated current : 1A
- Rated voltage : 250 V AC (r.m.s)
- Insulation resistance : 1000 M Ω or more
- Withstand voltage : 750 V AC (r.m.s) or more for 1 minute
- Contact resistance : 35 m Ω or less (including conductor resistance)
- Compatible board thickness : 1.6 mm
- Diameter of through-hole in board : ϕ 0.7 mm Minimum
- Operating temperature and humidity range : -55°C to +105°C, 85% Rh maximum

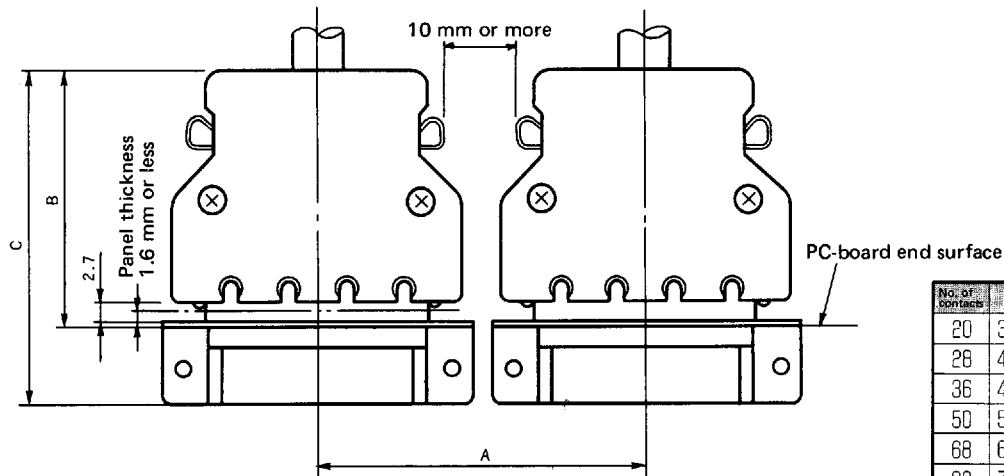


BOARD MOUNTING HOLE SIZE AND MOUNTING SIZE

BOARD-TO-BOARD CONNECTOR

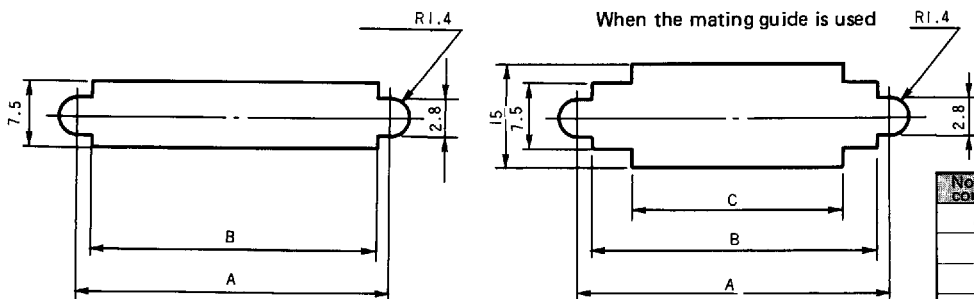


BOARD-TO-CABLE CONNECTOR



No. of contacts	A	B	C
20	35.5 ^{of more}	35.5 ^{of more}	46.2 ^{of more}
28	40 ^{of more}	35.5 ^{of more}	46.2 ^{of more}
36	46 ^{of more}	35.5 ^{of more}	46.2 ^{of more}
50	54 ^{of more}	35.5 ^{of more}	46.2 ^{of more}
68	66 ^{of more}	35.5 ^{of more}	46.2 ^{of more}
80	73 ^{of more}	35.5 ^{of more}	46.2 ^{of more}
96	84 ^{of more}	40.5 ^{of more}	51.2 ^{of more}

BOARD-TO-CABLE MALE CONNECTOR PANEL MOUNTING HOLE



No. of contacts	A	B	C
20	27.4	23.7	11.3
28	32.5	28.8	16.3
36	37.6	33.9	20.3
50	46.5	42.8	30.3
68	57.9	54.2	40.3
80	65.5	61.8	50.3
96	75.69	72.0	60.3